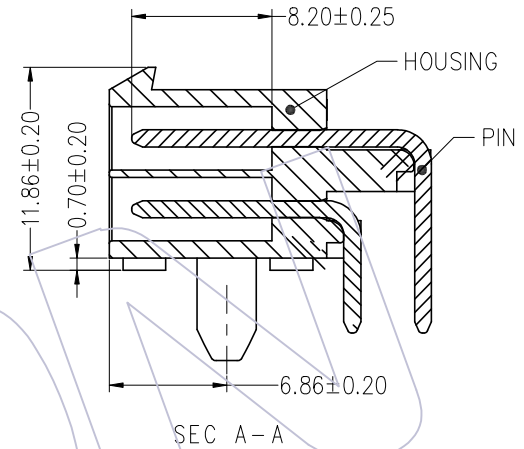
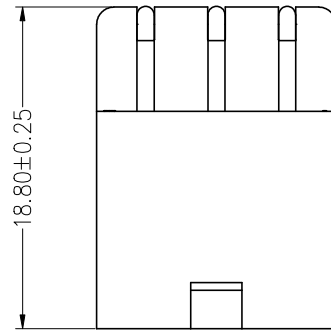


# HSF

NOTES:  
 Rated Current: 7.0A  
 Contact Resistance: 20mΩ max  
 Withstand Voltage: AC 1500V  
 Insulation Resistance: 1000MΩ/DC 500V  
 Operation Temperature: -20°C to +85°C

Contact Material: Brass  
 Contact plating: Sn Over Ni  
 Insulator Material: PA66 UL94V-0

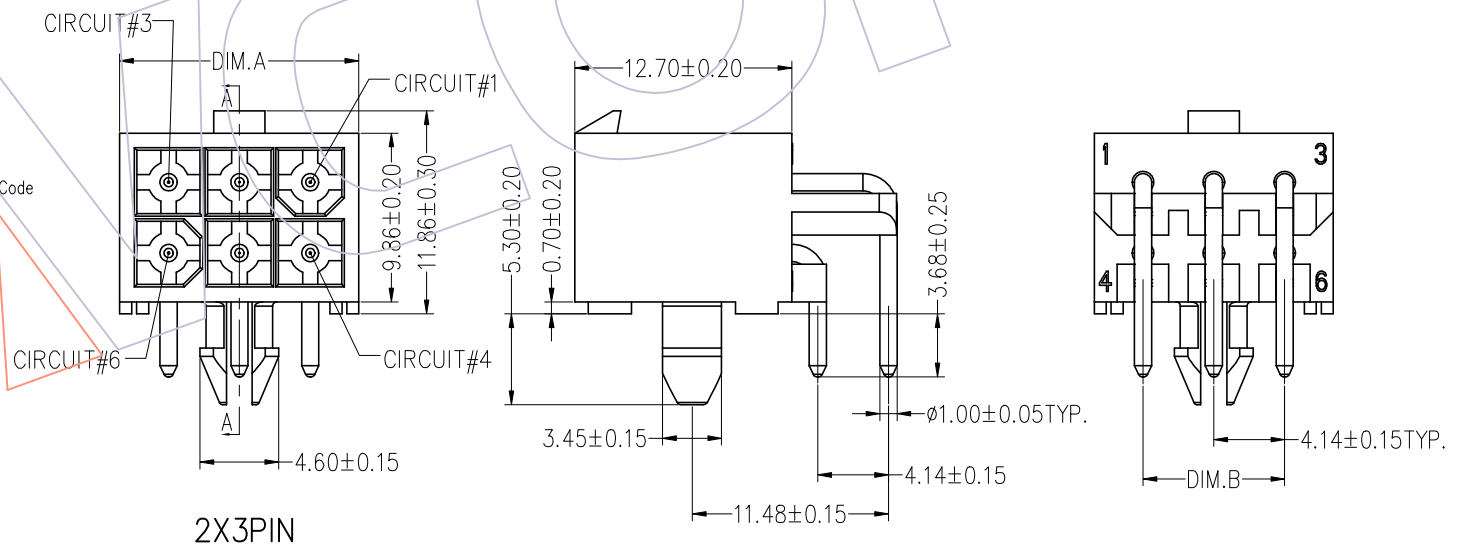



## Ordering Information

WF4141 -2 WR XX W 0 2

No. of Row Double Row  
 Right Angle Type  
 No. of pins  
 02=2X02PIN  
 11=2X11PIN  
 12=2X12PIN

Wcon Internal Code  
 Package A=Tray  
 Colour W=White



				OPERATION	DRAW	DATE	SCALE	FIT	PART NO.	 Http: www.wcon.com WCON-Dongguan Tel: +86 769 85358920 Fax: +86 769 85358915 E-mail: sales@wcon.com WCON-Kunshan Tel: +86 512 57468408 Fax: +86 512 57468468 E-mail: salesks@wcon.com
				X. X ±0.30	Morris	2022/11/18	UNIT	mm	WF4141-2WRXXWA2	
				X. XX ±0.25	CHECK	DATE	SIZE	A4	TITLE:	
				X. XXX ±0.15	APPROVE	DATE	SHEET	1/4	4.14mm Wafer, "T" Type, Dual Row,R/A, W/T Post	
AO	2022/11/18	NEW	---	Angle ±3°			PROJ.	Customer NO.		
REV	DATE	MODIFICATION DESCRIPTION	CHANGE	DIM	TOL					