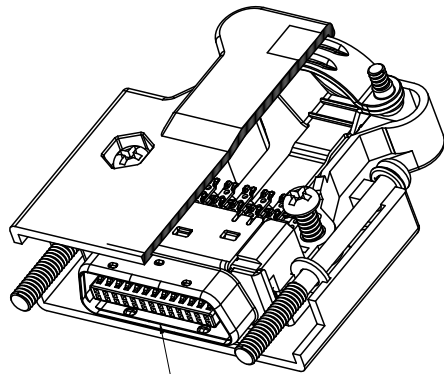
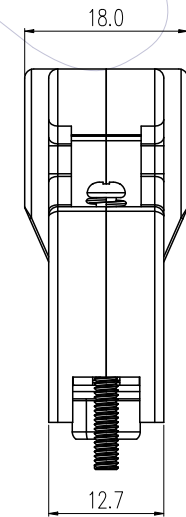
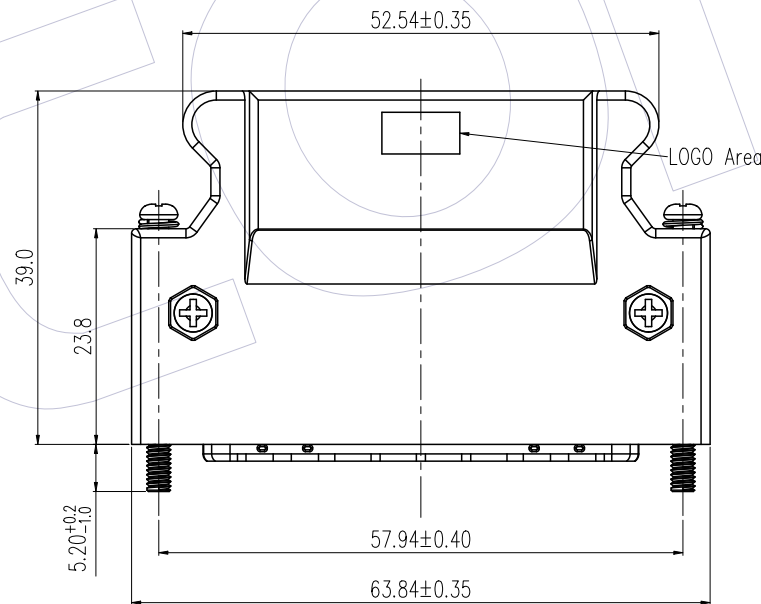
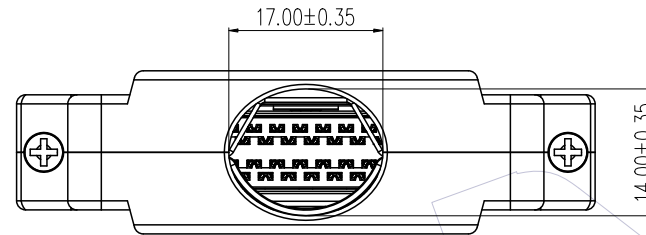


HSF



WCON CONNECTOR PN:6320M-068SSXXMNA01



Ordering Information

6327M- 068 S 00 P A 01 W

NO.of pins
68P

Contact Plating
00=NO contact

Shell material
P=Plastic

Packing
A=TRAY

LOGO
Blank=Without
W=WCON

				OPERATION		DRAW XSR	DATE	SCALE	FIT	PART NO. 6327M-068S00PA01(W)
				X.X	±0.40		2019.11.21	UNIT	mm	
				X.XX	±0.25	CHECK	DATE	SIZE	A4	TITLE:
				X.XXX	±0.15					1.27mm SCSI MALE SHELL W/SCREW TYPE LOCK
A0	2019.11.21	NEW		Angle	± 3'	APPROVE	DATE	SHEET	1/3	Customer NO.
REV	DATE	MODIFICATION DESCRIPTION	CHANGE	DIM	TOL			PROJ.		

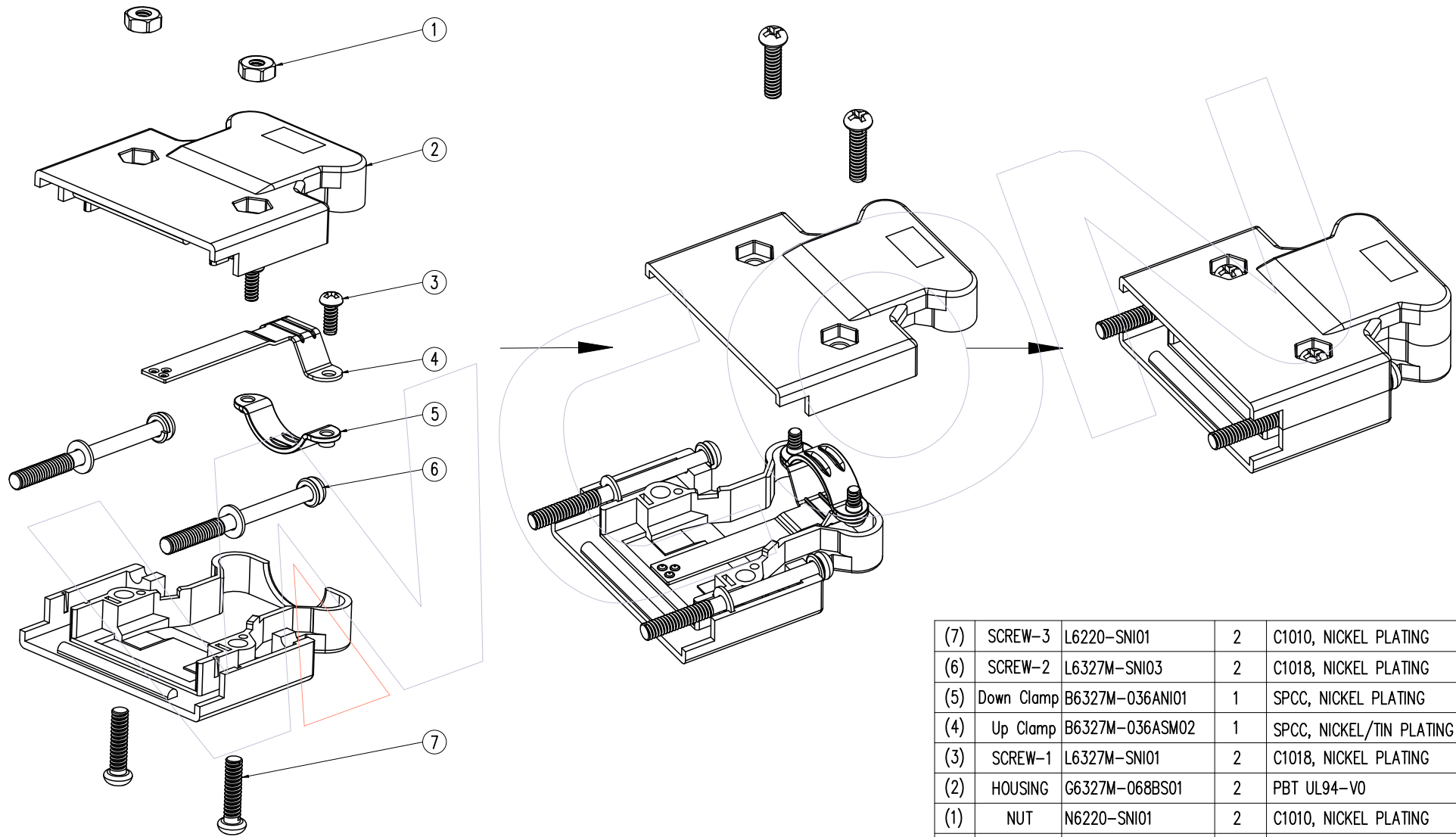
WCON

Http: www.wcon.com


WCON-Dongguan
Tel: +86 769 85358920
Fax: +86 769 85358915
E-mail: sales@wcon.com

WCON-Kunshan
Tel: +86 512 57468408
Fax: +86 512 57468468
E-mail: salesks@wcon.com

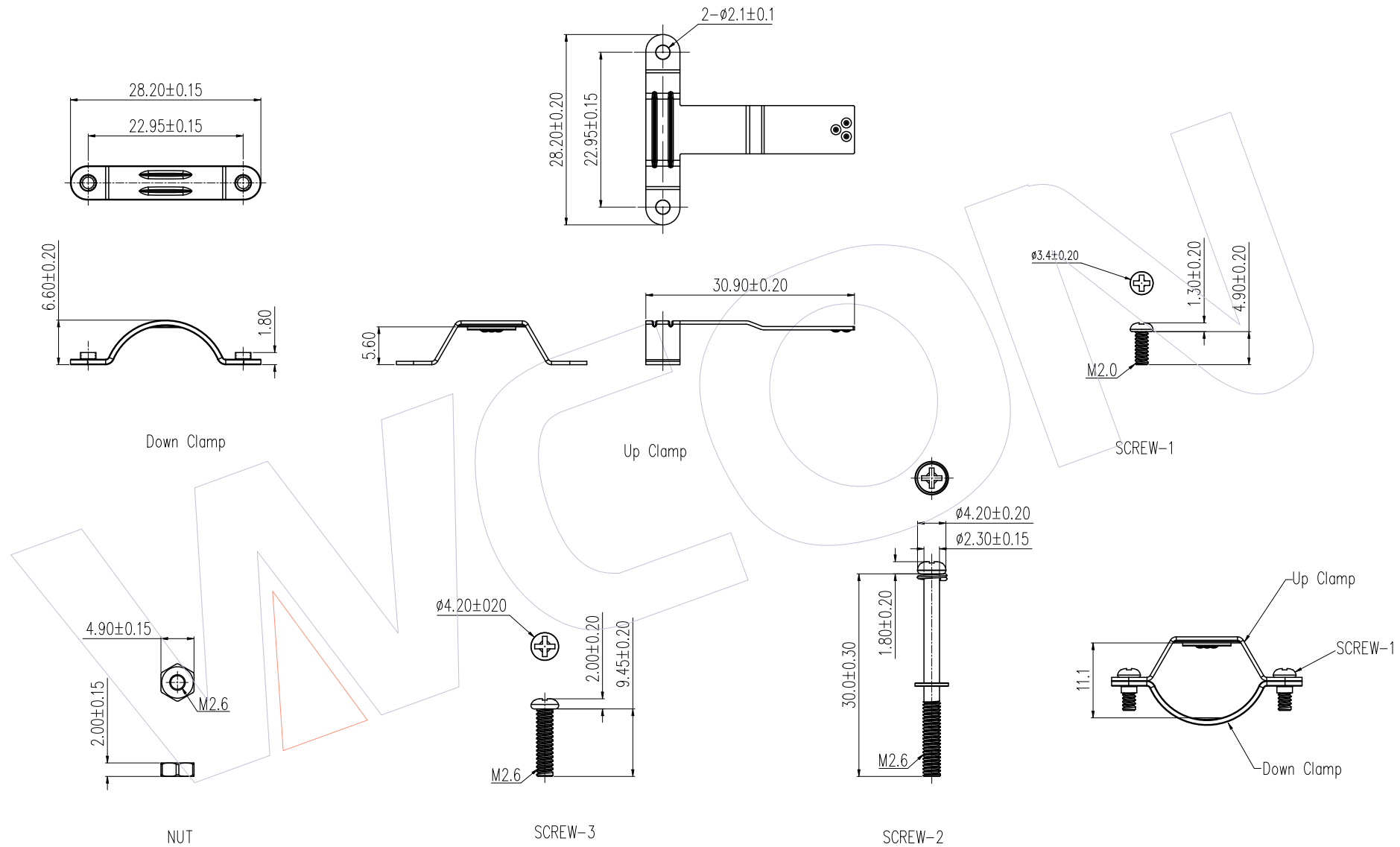
HSF



ITEM	Description	P/N	QTY	Material
(7)	SCREW-3	L6220-SNI01	2	C1010, NICKEL PLATING
(6)	SCREW-2	L6327M-SNI03	2	C1018, NICKEL PLATING
(5)	Down Clamp	B6327M-036ANI01	1	SPCC, NICKEL PLATING
(4)	Up Clamp	B6327M-036ASM02	1	SPCC, NICKEL/TIN PLATING
(3)	SCREW-1	L6327M-SNI01	2	C1018, NICKEL PLATING
(2)	HOUSING	G6327M-068BS01	2	PBT UL94-V0
(1)	NUT	N6220-SNI01	2	C1010, NICKEL PLATING

REV	DATE	MODIFICATION DESCRIPTION	CHANGE	OPERATION	DRAW	DATE	SCALE	FIT	PART NO.	 Http: www.wcon.com
A0	2019.11.21	NEW		X.X ±0.40	XSR	2019.11.21	UNIT mm	mm	6327M-068S00PA01(W)	
				X.XX ±0.25	CHECK	DATE	SIZE A4	A4	TITLE: 1.27mm SCSI MALE SHELL W/SCREW TYPE LOCK	
				X.XXX ±0.15	APPROVE	DATE	SHEET 2/3	2/3	CUSTOMER NO.	
				Angle ± 3'			PROJ.			
				DIM TOL						

HSF



				OPERATION	DRAW	DATE	SCALE	FIT	PART NO.
				X.X ±0.40	XSR	2019.11.21	UNIT	mm	6327M-068S00PA01(W)
				X.XX ±0.25	CHECK	DATE	inch		TITLE:
				X.XXX ±0.15	APPROVE	DATE	SIZE	A4	1.27mm SCSI MALE SHELL
A0	2019.11.21	NEW		Angle ± 3°			SHEET	3/3	W/SCREW TYPE LOCK
REV	DATE	MODIFICATION DESCRIPTION	CHANGE	DIM TOL			PROJ.	Customer NO.	

WCON
[Http: www.wcon.com](http://www.wcon.com)
 WCON-Dongguan Tel: +86 769 85358920
 WCON-Kunshan Tel: +86 512 57468408
 Fax: +86 769 85358915
 Fax: +86 512 57468468
 E-mail: sales@wcon.com
 E-mail: salesks@wcon.com