

HSF

NOTE:

1.MATERIAL:

- 1.1 INSULATOR: LCP+30%G.F, UL94V-0; BLACK.
- 1.2 CAP: LCP+30%G.F, UL94V-0; BLACK.
- 1.3 CONTACT: PHOSPHOR BRONZE.
- 1.4 MOUNTING EAR: PHOSPHOR BRONZE.

2.FINISH:

- 2.1 CONTACT: 3u" OR 5u" MIN. GOLD PLATED IN CONTACT AREA
 $\Delta 3$ 80u" MIN. TIN PLATED IN SOLDER AREA
 50u" MIN. NICKEL UNDERPLATED OVERALL.
- 2.2 MOUNTING EAR: 100u" MIN. TIN PLATED OVER
 50u" MIN. NICKEL UNDERPLATED OVERALL.

3.ELECTRICAL CHARACTERISTICS

- 3.1 CURRENT RATING: 0.5A.
- 3.2 CONTACT RESISTANCE: 65m Ω MAX.
- 3.3 INSULATION RESISTANCE: 1000M Ω MIN DC500V.
- 3.4 DIELECTRIC WITHSTANDING VOLTAGE: 250V AC PER MINUTE.
- 3.5 OPERATING TEMPERATURE: -40°C ~ +105°C.
- 3.6 OPERATING: 100 CYCLES MIN.
- 3.7 INSERTION FORCE: 90g MAX. Per PIN Pair.
- 3.8 WITHDRAWAL FORCE: 10g MIN. Per PIN Pair.
- 3.9 CONTACT RETENTION FORCE: 250g MIN. PER CONTACT
- 3.10 STORAGE TEMPERATURE: -10°C ~ +40°C.

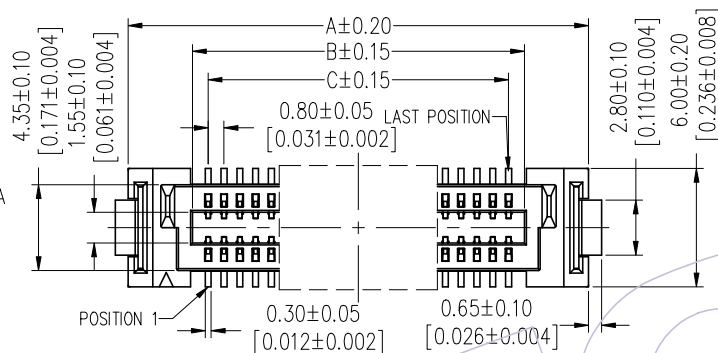
Flatness: <80Pins The "M" Is 0.10mm MAX

$\Delta 3$ >80Pins The "M" Is 0.15mm MAX

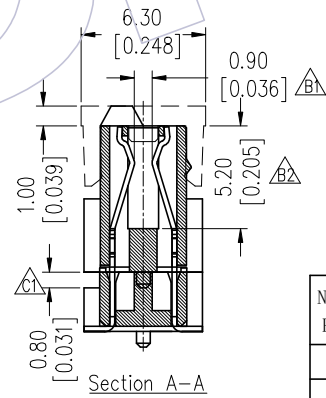
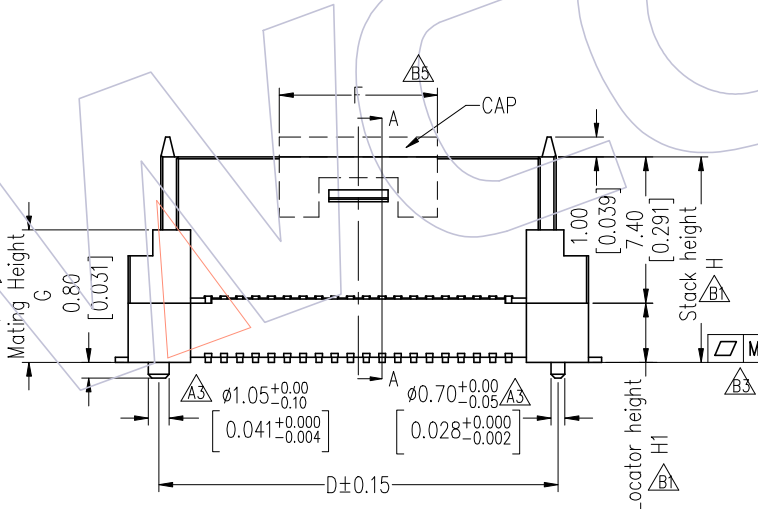
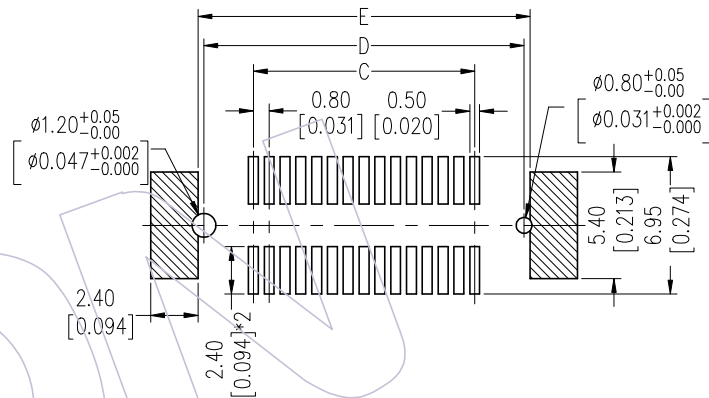
Ordering Information

3614- S XXX - XXX XX R 01

No. of Pins High "H" Contact Plating Packing
 S1=3u"Gold/Tin R=Tape&Reel+CAP
 S2=5u"Gold/Tin



Recommended P.C.B Layout(Top Side)
 (PCB BOARD TOLERANCE±0.05)



CAP PART NO.	Dimension		Applicable Pins
	F		
CAP3614-G202	8.00		20~30
CAP3614-G203	16.00		40~50
CAP3614-G204	24.00		60~70
CAP3614-G205	32.00		80~90
CAP3614-G206	40.00		100~110~120

Dim H	Dim G +0.00 -0.40	Dim H1
10.40	7.00	3.00
11.40	8.00	4.00
12.40	9.00	5.00
13.40	10.00	6.00

No. of Pins	Dimension				
	A	B	C	D	E
20	15.30	8.80	7.20	12.20	12.80
30	19.30	12.80	11.20	16.20	16.80
40	23.30	16.80	15.20	20.20	20.80
50	27.30	20.80	19.20	24.20	24.80
60	31.30	24.80	23.20	28.20	28.80
80	39.30	32.80	31.20	36.20	36.80
100	47.30	40.80	39.20	44.20	44.80
120	55.30	48.80	47.20	52.20	52.80
160	71.30	64.80	63.20	68.20	68.80

REV	DATE	MODIFICATION DESCRIPTION	CHANGE	OPERATION	DRAW	DATE	SCALE	FIT	PART NO.
C1	2018/05/24	Modify	$\Delta 1$	OPERATION	Ding	2018/05/24	UNIT	mm	3614-SXXX-XXXXXR01
C0	2017/02/14	ADD CAP	$\Delta 0$	x.x ±0.40	CHECK	DATE	SIZE	inch	TITLE:
B5	2016/10/12	更改CAP的长度	$\Delta 5$	x.xx ±0.25			SHEET	A4	0.80mm BTB FEMALE "D" TYPE
A0	2010/03/09	NEW	—	x.xxx ±0.15	APPROVE	DATE	PROJ.	1/1	180° SMT
				Angle ± 3°					Customer NO.
				DIM TOL					

WCON
 Http: www.wcon.com

WCON-Dongguan WCON-Kunshan
 Tel: +86 769 85358920 Tel: +86 512 57468408
 Fax: +86 769 85358915 Fax: +86 512 57468468
 E-mail: sales@wcon.com E-mail: salesks@wcon.com