

HSF

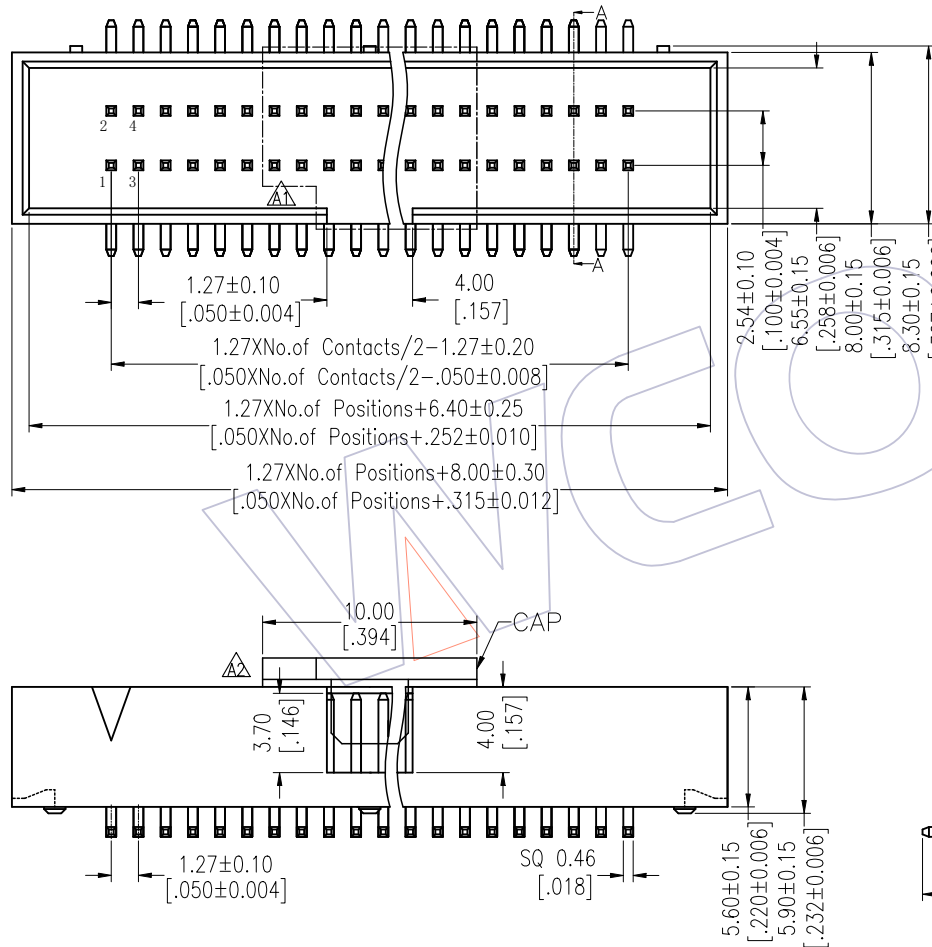
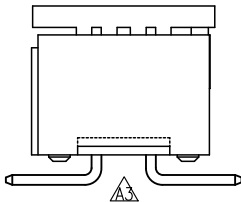
NOTES:
 Current Rating: 1.0AMP
 Contact Resistance: 20mΩ Max
 Withstand Voltage: 500V AC/DC
 Insulation Resistance: 1000MΩ Min
 Operation Temperature: -40°C to +105°C

Contact Material: Brass
 Contact plating: Au or Sn Over Ni
 Insulator Material: PA9T+33%GF(UL94V-0)

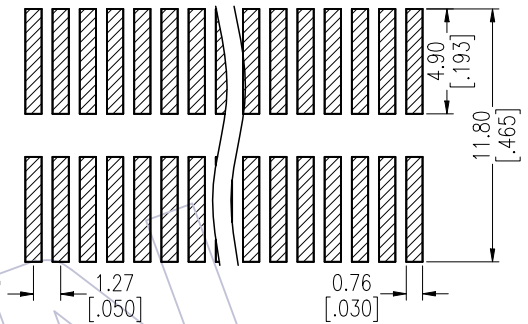
Ordering Information

3140-XX M XX B K00 X X

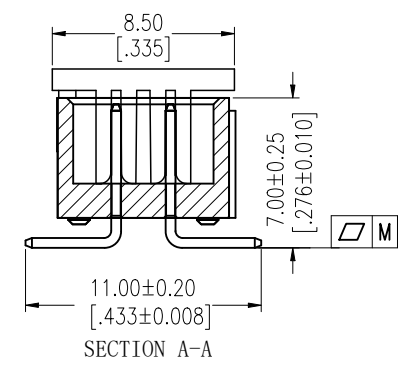
No. of Pins	Contact Plating	Color Insulator	Packing
10 34	G0=Gold Flash	B=Black	T=Tube
14 40	G3=10u"Gold	W=White	P=Tube+CAP
16 44	G4=15u"Gold		R=Tape&Reel+CAP
20 50	G5=30u"Gold		
24 60	S0=Gold Flash/Tin		
26 64	S3=10u"Gold/Tin		
30 80	S4=15u"Gold/Tin		
100	S5=30u"Gold/Tin		
	SN=Tin		



Recommended P.C.B Layout(Top Side)
 (PCB BOARD TOLERANCE±0.05)



PIN(PerRow)	10-20P	24-40P	44-100P
M	0.10	0.12	0.15



Item	Pitch	Mating
Standard	1.27X2.54	5242
Alternate		

REV	DATE	MODIFICATION DESCRIPTION	CHANGE	OPERATION	DRAW	DATE	SCALE	FIT	PART NO.
A4	2023/02/16	Add Flatness	△△	DuYing	OPERATION	2023/02/16	UNIT	mm	3140-XXMXXBK00XX
A3	2018/02/04	Modify	△△	Ding	CHECK		SIZE	A4	
A2	2015/06/22	Modify the CAP	△△		APPROVE		SHEET	1/1	1.27*2.54 BOX HEADER H=5.6 180° SMT
A0	2012/09/18	NEW	-----				PROJ.	Customer NO.	

WCON
 Http: www.wcon.com
 WCON-Dongguan Tel: +86 769 85358920
 WCON-Kunshan Tel: +86 512 57468408
 Fax: +86 769 85358915
 Fax: +86 512 57468468
 E-mail: sales@wcon.com
 E-mail: salesks@wcon.com