

HSF

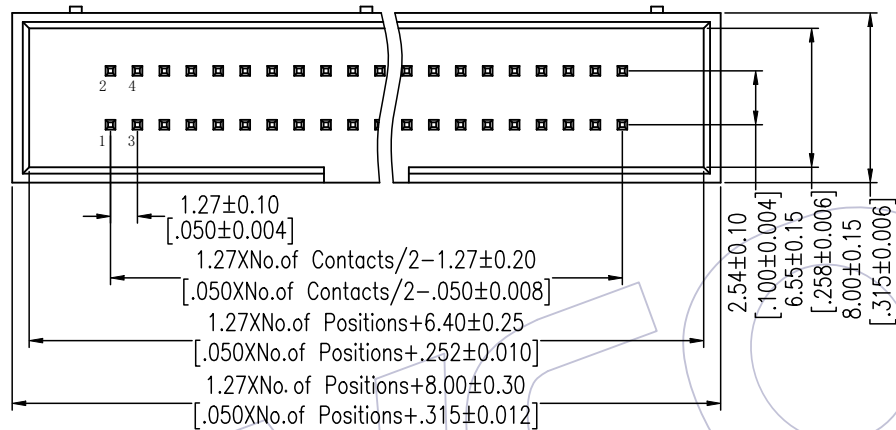
NOTES:
 Current Rating: 1.0AMP
 Contact Resistance: 20mΩ Max
 Withstand Voltage: 500V AC/DC
 Insulation Resistance: 1000MΩ Min
 Operation Temperature: -40°C to +105°C

Contact Material: Brass
 Contact plating: Au Or Sn over Ni
 Insulator Material: PA9T+33%G.F UL94V-0

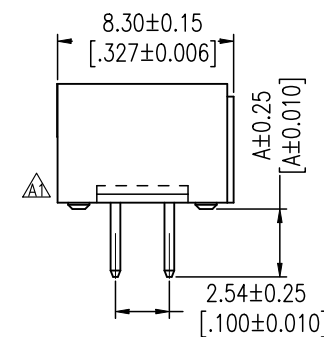
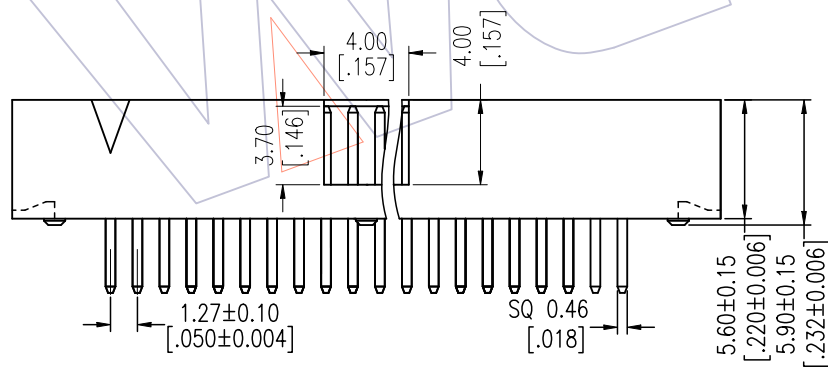
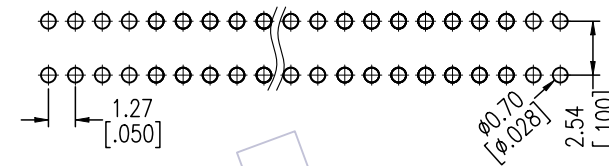
Ordering Information

3140-XX S XX B K00 X 1

| No. of Pins | Contact Plating | Color Insulator | Packing |
|-------------|-------------------|-----------------|---------|
| 10 34 | G0=Gold Flash | B=Black | T=Tube |
| 14 40 | G3=10u"Gold | W=White | |
| 16 44 | G4=15u"Gold | | |
| 20 50 | G5=30u"Gold | | |
| 24 60 | S0=Gold Flash/Tin | | |
| 26 64 | S3=10u"Gold/Tin | | |
| 30 80 | S4=15u"Gold/Tin | | |
| 100 | S5=30u"Gold/Tin | | |
| | SN=Tin | | |



Recommended P.C.B Layout(Top Side)
 (PCB BOARD TOLERANCE±0.05)



| Item | Pitch | Mating | Dip(A) |
|-----------|-----------|--------|--------|
| Standard | 1.27X2.54 | 5242 | 3.20 |
| Alternate | | | |

| OPERATION | DRAW | DATE | SCALE | FIT | PART NO. |
|-------------|---------|------------|-------|-----|---------------------------------|
| x.x ±0.40 | Ding | 2018/02/04 | UNIT | mm | 3140-XXSXXBK00X1 |
| x.xx ±0.25 | CHECK | DATE | SIZE | A4 | TITLE: |
| x.xxx ±0.15 | APPROVE | DATE | SHEET | 1/1 | 1.27x2.54 BOX HEADER 180° H=5.9 |
| Angle ± 3' | | | PROJ. | | Customer NO. |
| DIM TOL | | | | | |

WCON

Http: www.wcon.com

WCON-Dongguan
 Tel: +86 769 85358920
 Fax: +86 769 85358915
 E-mail: sales@wcon.com

WCON-Kunshan
 Tel: +86 512 57468408
 Fax: +86 512 57468468
 E-mail: salesks@wcon.com