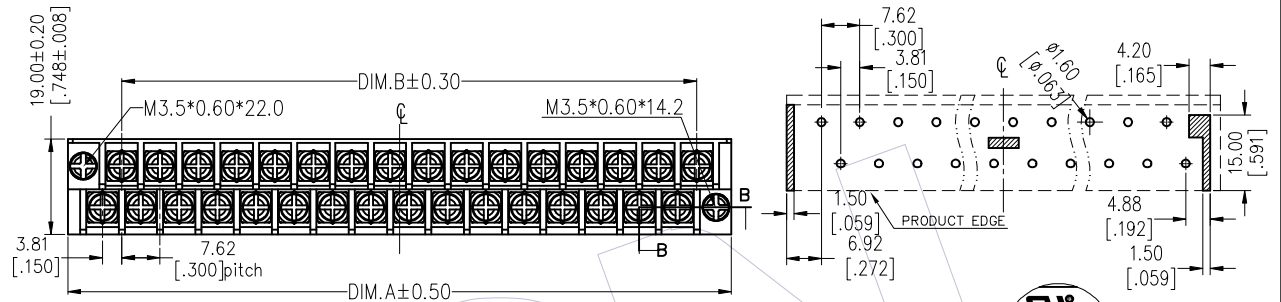


NOTES:

1. Insulator material: PBT+30/35%G.F, UL94-V0
2. Terminal material: Brass
Terminal Plating: Sn Plated Over Nickel
3. Screw material: C1018/C1010, Plated: Ni
4. Rated Voltage: 300V
5. Rated Current: 10A
6. Wire Range: 14-22AWG
7. Screw Torque: 8.0lbf.in
8. Contact Resistance: 10mΩ Max
9. Insulation Resistance: DC1000V 1000MΩ Min
10. Insulation Withstand Voltage: AC2000V/1min
11. Operation Temperature: -40°C to +120°C

Recommended P.C.B Layout(Top Side)
(PCB BOARD TOLERANCE±0.05)

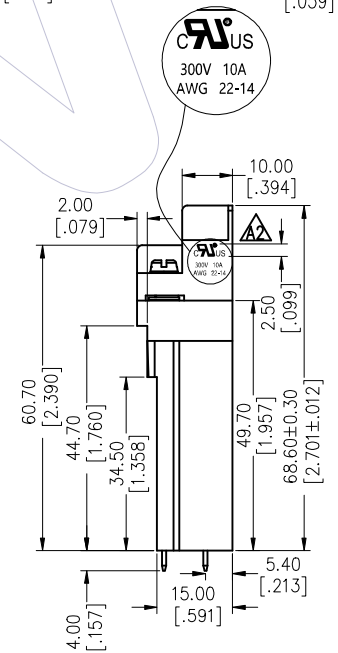
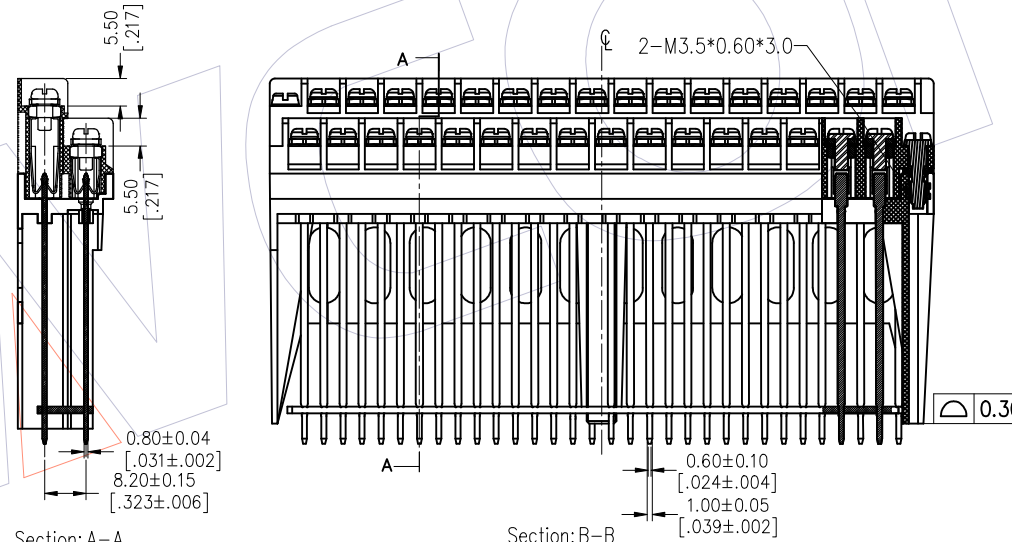
PRODUCT STAND OFF



Ordering Information:

BH762 - 06 - XX - X - S0 - S01

No. Pin Per Row: 4P-20P Color: W=Grey White, G=Dark Grey, ΔNT=Light Grey
 Contact Plated: S0=Gold Flash/Tin



Part.Nober	Pins	Dim.A	Dim.B
BH762-06-08-X-S0-S01	8P	70.95	53.34
BH762-06-12-X-S0-S01	12P	101.43	83.82
BH762-06-16-X-S0-S01	16P	131.91	114.30
BH762-06-20-X-S0-S01	20P	162.39	144.78

REV	DATE	MODIFICATION DESCRIPTION	CHANGE	OPERATION	DRAW	DATE	SCALE	PART NO.
A2	2021.03.29	ADD UL LOGO	—	x.x ±0.40	XSR	2021.03.29	1:1	BH762-06-XX-X-S0-S01
A1	2019.07.25	ADD LIGHT GREY COLOR	—	x.xx ±0.25	CHECK	DATE	mm	TITLE: 7.62*8.20mm Double-Row, W=19.00*H=68.60 Barrier Terminal Blocks
A0	2018.03.20	NEW	—	x.xxx ±0.15	APPROVE	DATE	A4	
				Angle ± 3°			1/1	Customer NO.
				DIM TOL			PROJ.	

WCON
 Http: www.wcon.com

WCON-Dongguan WCON-Kunshan
 Tel: +86 769 85358920 Tel: +86 512 57468408
 Fax: +86 769 85358915 Fax: +86 512 57468468
 E-mail: sales@wcon.com E-mail: salesks@wcon.com