

HSF

NOTES:

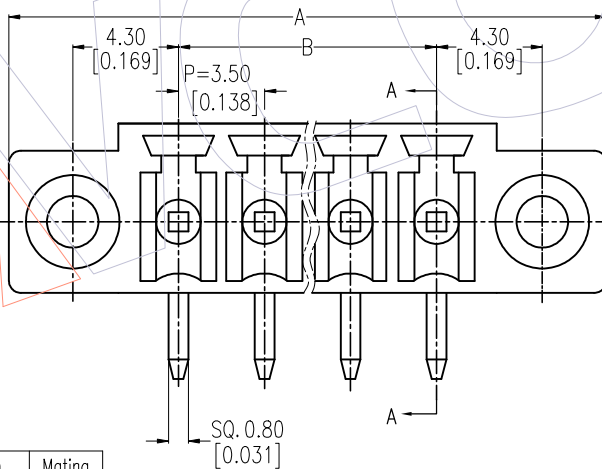
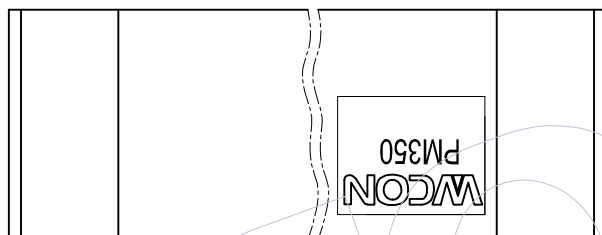
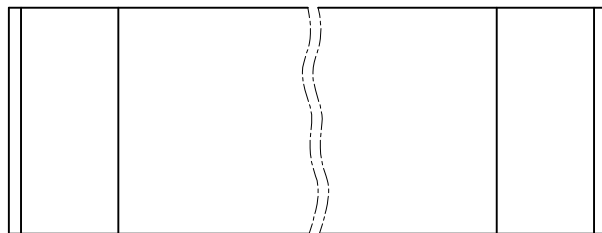
Current Rating:8A
 Voltage Rating:300V
 Contact Resistance:8milliohm Max
 Withstand Voltage:AC 1500V
 Insulation Resistance:1000Megohm Min
 Operation Temperature:-40°C to +105°C

Housing Material:PA66+30%GF(UL94V-0) $\Delta 3$
 Contact Material:Brass
 Inlay Material:Brass

Ordering Information:

P M 350 - 1 R XX A SM 2 N

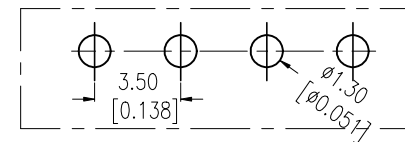
M=Male
 Pitch 350=3.50
 No.of Pins 02-20P
 Color A=Green
 Contact Plated SM=Matte Tin
 Blank=W/T WCON
 N=W/O WCON
 Series No.



$\Delta 5$
W/O WCON

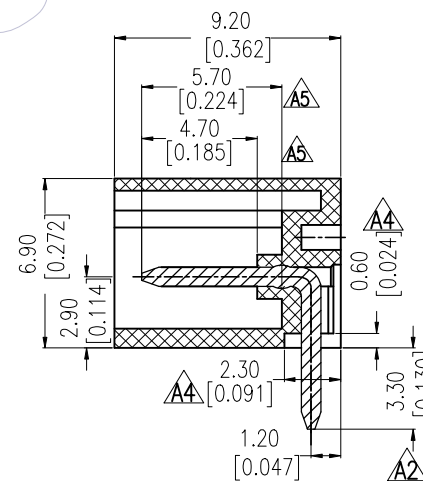
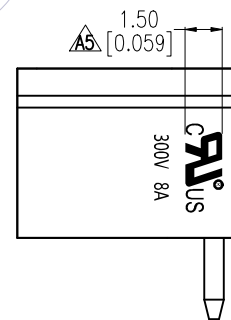
W/T WCON

Recommended P.C.B Layout (Top Side)
 (PCB BOARD TOLERANCE±0.05)



11P	48.80 ±0.30	35.00 ±0.30			
10P	45.30 ±0.30	31.50 ±0.30	20P	80.30 ±0.40	66.50 ±0.40
9P	41.80 ±0.30	28.00 ±0.30	19P	76.80 ±0.40	63.00 ±0.40
8P	38.30 ±0.20	24.50 ±0.20	18P	73.30 ±0.40	59.50 ±0.40
7P	34.80 ±0.20	21.00 ±0.20	17P	69.80 ±0.40	56.00 ±0.40
6P	31.30 ±0.20	17.50 ±0.20	16P	66.30 ±0.40	52.50 ±0.40
5P	27.80 ±0.20	14.00 ±0.20	15P	62.80 ±0.40	49.00 ±0.40
4P	24.30 ±0.20	10.50 ±0.20	14P	59.30 ±0.30	45.50 ±0.30
3P	20.80 ±0.20	7.00 ±0.20	13P	55.80 ±0.30	42.00 ±0.30
2P	17.30 ±0.20	3.50 ±0.10	12P	52.30 ±0.30	38.50 ±0.30
PIN	A	B	PIN	A	B

ITEM	Pitch	Mating
Standard	3.50	PF350
Alternate		



SECTION A-A

REV	DATE	MODIFICATION DESCRIPTION	CHANGE	OPERATION	DRAW	DATE	SCALE	FIT	PART NO.
A5	2020/11/12	Add UL Logo & DIM;Add W/O WCON SPEC&P/N	$\Delta 5$	XSR	OPERATION	2020/11/12	UNIT	mm	PM350-1RXXASM2(N) $\Delta 1$ $\Delta 5$
A4	2018/03/12	Modify	$\Delta 4$	XSR	x.X		SIZE	A4	TITLE:
A3	2013/06/05	Modify The Housing Material			x.XX		SHEET	1/1	3.50mm Pitch Male
A0	2011/06/07	NEW			x.XXX		PROJ.		Pluggable Terminal Blocks
					Angle				Customer NO.
					DIM				

WCON

Http: www.wcon.com

WCON-Dongguan	WCON-Kunshan
Tel: +86 769 85358920	Tel: +86 512 57468408
Fax: +86 769 85358915	Fax: +86 512 57468468
E-mail: sales@wcon.com	E-mail: sales@wcon.com