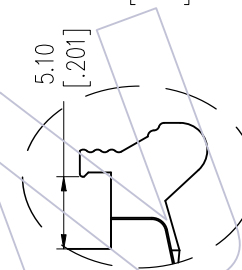
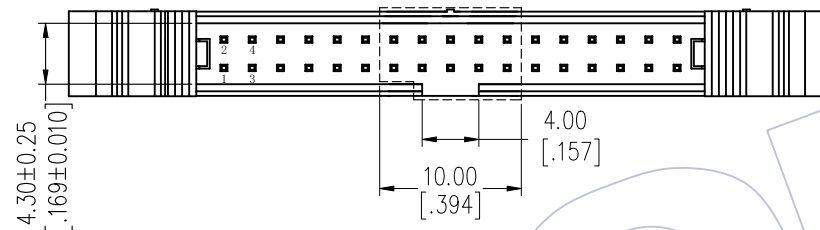
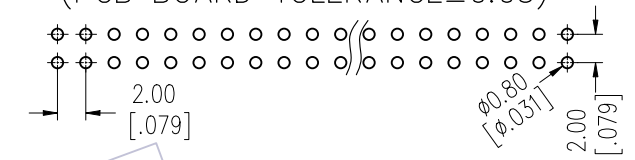


# HSF

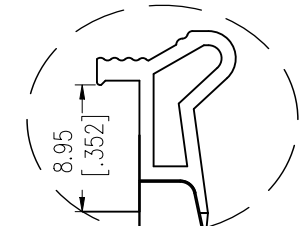
NOTES:  
 Current Rating: 2.0AMP  
 Contact Resistance: 20mΩ Max  
 Withstand Voltage: 500V AC/DC  
 Insulation Resistance: 1000MΩ Min  
 Operation Temperature: -40°C to +105°C

Contact Material: Brass  
 Contact plating: Au Or Sn over Ni  
 Insulator Material: PA9T+33%G.F UL94V-0

Recommended P.C.B Layout(Top Side)  
 (PCB BOARD TOLERANCE±0.05)



Short Latch  
(L=17.00)

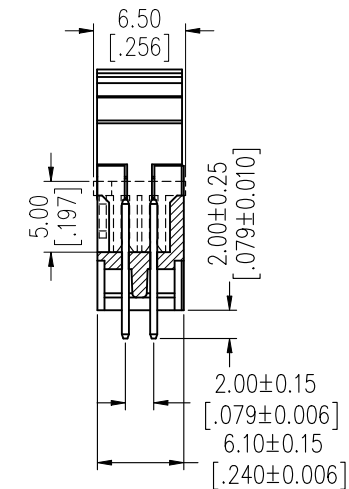
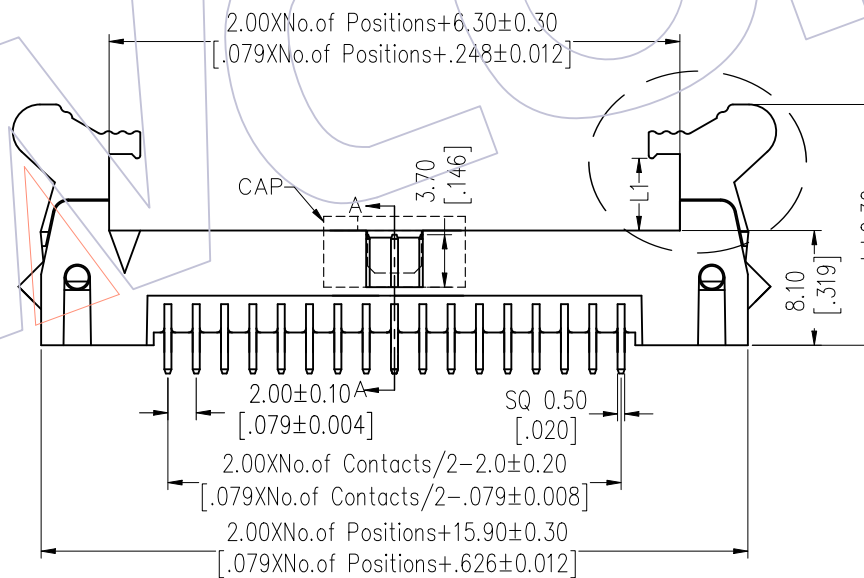


Long Latch  
(L=20.85)

## Ordering Information

### 3220 - XX S XX B X X 2

No. of Pins	Contact Plating	Insulator Color	Latch type	Packing
08 30	G0=Gold Flash	B=Black	L=Long Latch	T=Tube
10 34	G3=10u"Gold	U=Blue	S=Short Latch	P=Tube+CAP
14 40	G4=15u"Gold	G=Grey(427C)		
16 44	G5=30u"Gold	E=Grey(413C)		
20 50	S0=Gold Flash/Tin			
24 60	S3=10u"Gold/Tin			
26 64	S4=15u"Gold/Tin			
68	S5=30u"Gold/Tin			
	SN=Tin			



Item	Pitch	Mating
Standard	2.00	5222
Alternate		

OPERATION	DRAW	DATE	SCALE	FIT	PART NO.
x.x ±0.40	Ding	2019/01/24	UNIT	mm	3220-XXSXXXXX2
x.xx ±0.25	CHECK	DATE	SIZE	A4	TITLE:
x.xxx ±0.15	APPROVE	DATE	SHEET	1/1	2.00 EJECTOR HEADER 180°
Angle ± 3°			PROJ.		Customer NO.
DIM TOL					

# WCON

Http: www.wcon.com

WCON-Dongguan      WCON-Kunshan  
 Tel: +86 769 85358920      Tel: +86 512 57468408  
 Fax: +86 769 85358915      Fax: +86 512 57468468  
 E-mail: sales@wcon.com      E-mail: salesks@wcon.com