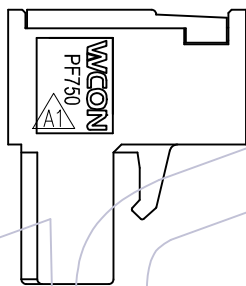
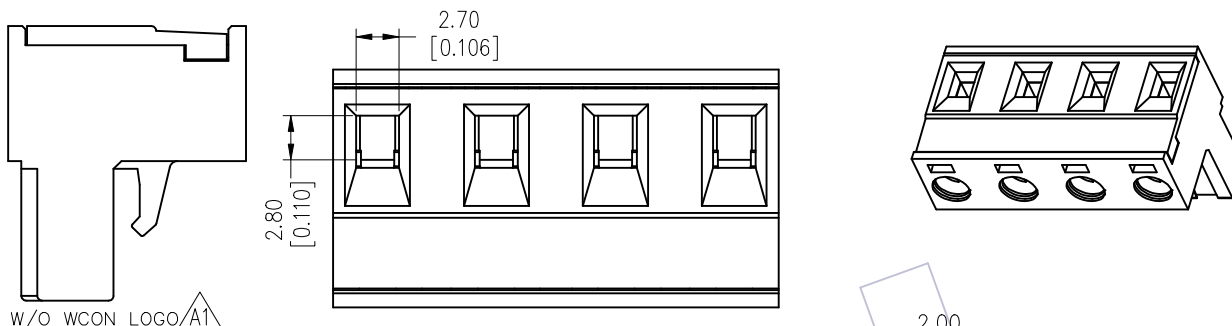
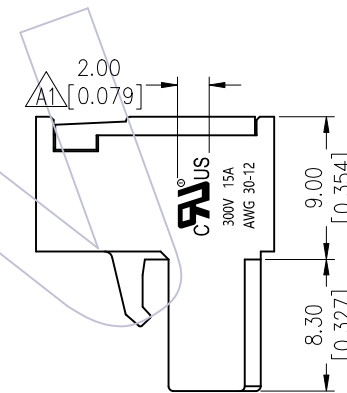
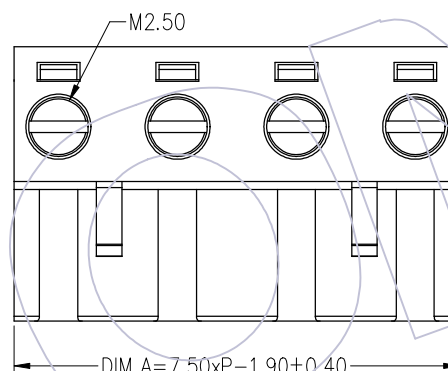


HSF

NOTES:
 Rated Current: 15 AMP
 Contact Resistance: 8 mΩ Max
 Withstand Voltage: 2000 V AC/DC
 Insulation Resistance: 1000 MΩ min
 Operation Temperature: -40°C to +105°C
 Wire Range: 30~12 AWG
 Wire Strip Length: 7 mm
 Screw Counter Torsion Force: 4.4 lbf.in Min.



W/T WCON LOGO

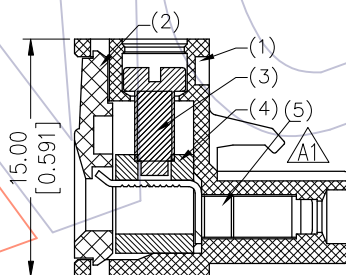


Ordering Information:

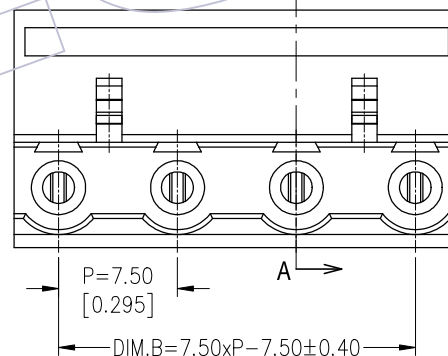
P F 750 - C XX A SM N 1 N

F=Female Pitch 750=7.50 No. of Pins 02-20P Contact Plated SM=Matte Tin Blank=W/T WCON Logo N=W/O WCON Logo
 Color A=Green Type N=W/O Two Side Screw

PIN	DIM.A	DIM.B	PIN	DIM.A	DIM.B
02	7.50	13.10	12	82.50	88.10
03	15.00	20.60	13	90.00	95.60
04	22.50	28.10	14	97.50	103.10
05	30.00	35.60	15	105.00	110.60
06	37.50	43.10	16	112.50	118.10
07	45.00	50.60	17	120.00	125.60
08	52.50	58.10	18	127.50	133.10
09	60.00	65.60	19	135.00	140.60
10	67.50	73.10	20	142.50	148.10
11	75.00	80.60			



SECTION A-A



ITEM	TITLE	P/N	Q'TY	Material
(5)	Contact	TPT051-PSM001	N	C5191R-H T=0.4
(4)	Pin Block	BL025-1SNI01	N	C3604
(3)	Screw	MA025-1SXX01	N	C1018
(2)	Cover	HPC750-XXB1AN1	1	PA66 UL94-V0
(1)	Housing	HPF750-XXB1AN1(N)	1	PA66 UL94-V0

REV	DATE	MODIFICATION DESCRIPTION	CHANGE	OPERATION		DRAW	DATE	SCALE	FIT	PART NO.
				X.X	±0.40					
A1	2020/08/04	ADD UL LOGO; ADD W/O WCON LOGO P/N	XSR	X.XX	±0.25	CHECK	DATE	UNIT	inch	TITLE:
A0	2013/11/08	NEW	Tsingsn	X.XXX	±0.15	APPROVE	DATE	SIZE	A4	7.50mm Pitch Female Pluggable Terminal Blocks
				Angle	± 3°			SHEET	1/1	
				DIM	TOL			PROJ.		

WCON

Http: www.wcon.com

WCON-Dongguan Tel: +86 769 85358920 Fax: +86 769 85358915 E-mail: sales@wcon.com
 WCON-Kunshan Tel: +86 512 57468408 Fax: +86 512 57468468 E-mail: salesk@wcon.com