

NOTES:
 Current Rating:10A
 Voltage Rating:300V
 Contact Resistance:8milliohm Max
 Withstand Voltage:AC2000V
 Insulation Resistance:1000Megohm Min
 Operation Temperature:-40°C to +105°C

Housing Material:PA66+30%GF(UL94V-0) Δ
 Contact Material:Brass

Ordering Information:

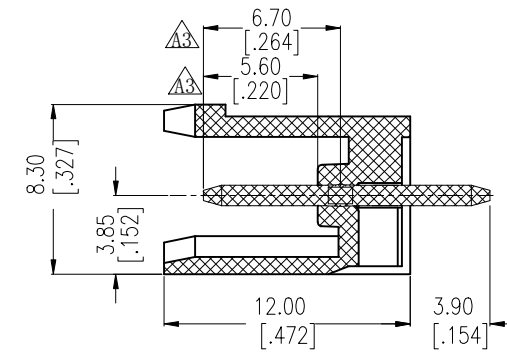
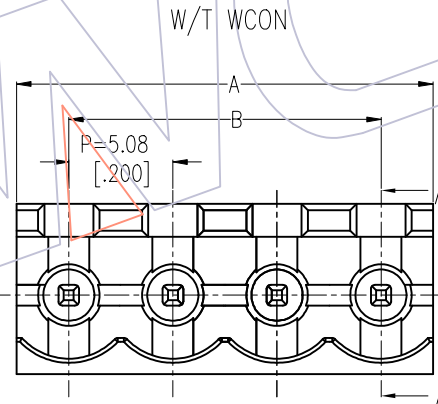
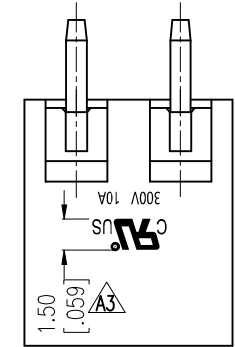
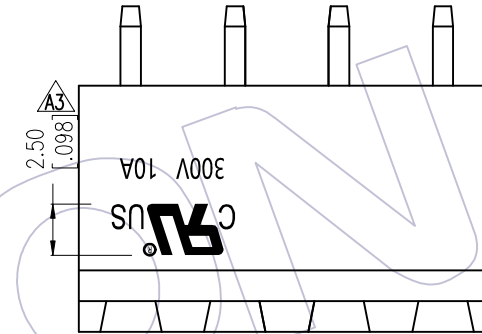
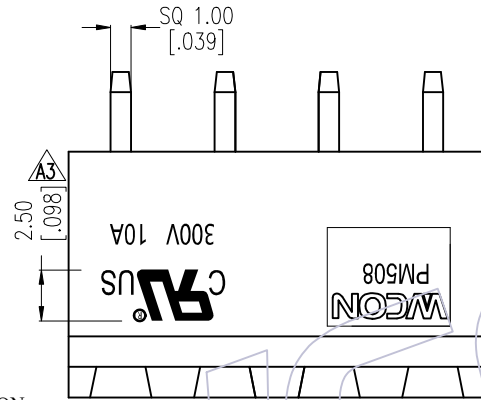
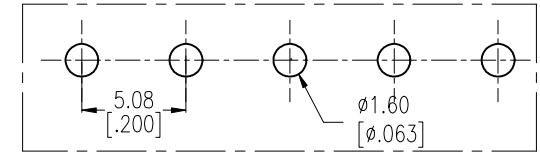
P M 508 - 1 S XX X SM 3 N

M=Male Pitch 508=5.08
 No. of Pins 02-24P
 Color A=Green B=Black G=Grey
 Contact Plated SM=Matte Tin
 Blank=W/T WCON N=W/O WCON

13P	66.04 ±0.30	60.96 ±0.30			
12P	60.96 ±0.30	55.88 ±0.30	24P	121.92 ±0.50	116.84 ±0.50
11P	55.88 ±0.30	50.80 ±0.30	23P	116.84 ±0.50	111.76 ±0.50
10P	50.80 ±0.30	45.72 ±0.30	22P	111.76 ±0.50	106.68 ±0.50
9P	45.72 ±0.30	40.64 ±0.30	21P	106.68 ±0.50	101.60 ±0.50
8P	40.64 ±0.30	35.56 ±0.30	20P	101.60 ±0.50	96.52 ±0.50
7P	35.56 ±0.20	30.48 ±0.20	19P	96.52 ±0.40	91.44 ±0.40
6P	30.48 ±0.20	25.40 ±0.20	18P	91.44 ±0.40	86.36 ±0.40
5P	25.40 ±0.20	20.32 ±0.20	17P	86.36 ±0.40	81.28 ±0.40
4P	20.32 ±0.20	15.24 ±0.20	16P	81.28 ±0.40	76.20 ±0.40
3P	15.24 ±0.20	10.16 ±0.20	15P	76.20 ±0.40	71.12 ±0.40
2P	10.16 ±0.20	5.08 ±0.10	14P	71.12 ±0.40	66.04 ±0.40
PIN	A	B	PIN	A	B

ITEM	Pitch	Mating
Standard	5.08	PF508
Alternate		

Recommended P.C.B Layout(Top Side)
 (PCB BOARD TOLERANCE±0.05)



SECTION A-A

REV	DATE	MODIFICATION DESCRIPTION	CHANGE	OPERATION	DRAW	DATE	SCALE	FIT	PART NO.	TITLE: 5.08mm Pitch Male Pluggable Terminal Blocks	Customer NO.
A3	2020/11/18	ADD UL LOGO & W/O WCON P/N	Δ	XSR	DRAW	2020/11/18	UNIT	mm	PM508-1SXXXSM3(N) Δ Δ		
A2	2013/06/05	Modify The Housing Material	Δ	x.X	CHECK		SIZE	inch			
A1	2012/05/17	Modify PF508-01-XX-A-SM → PM508-1SXXASM3	Δ	x.XX	APPROVE		SHEET	1/1			
A0	2011/06/08	NEW		x.XXX			PROJ.				
				Angle							
				DIM							
				TOL							

WCON

Http: www.wcon.com