

HSF

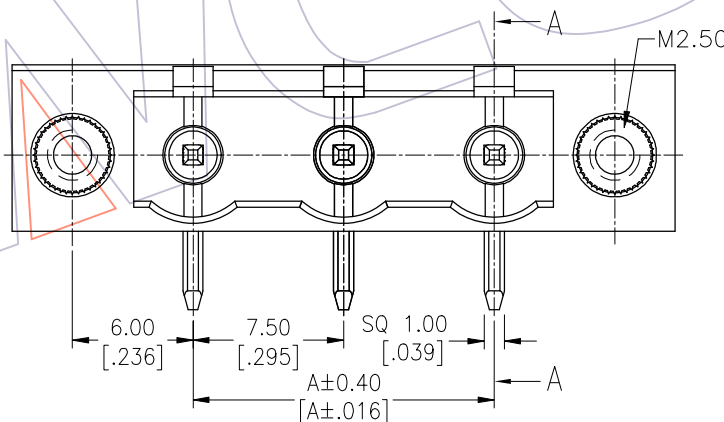
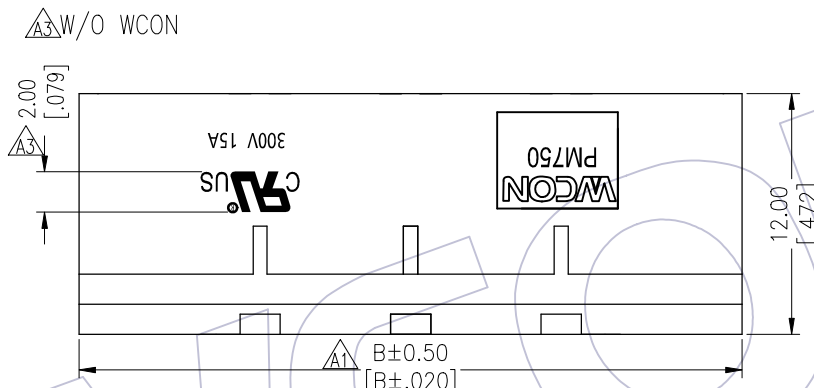
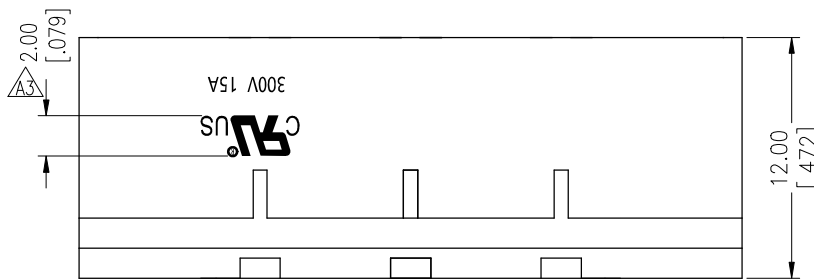
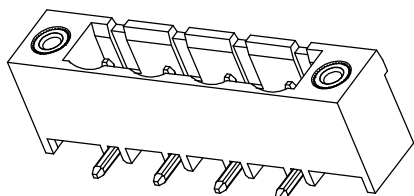
NOTES:
 Rated Current:15 AMP
 Contact Resistance:8.0 milliohm Max
 Withstand Voltage:2000 V AC/DC
 Insulation Resistance:1000 Megohm min
 Operation Temperature:-40°C to +105°C

Housing Material:PA66+30%GF(UL94V-0)
 Contact Material:Brass
 Terminal Plating:
 Matte Tin Plated Over Nickel

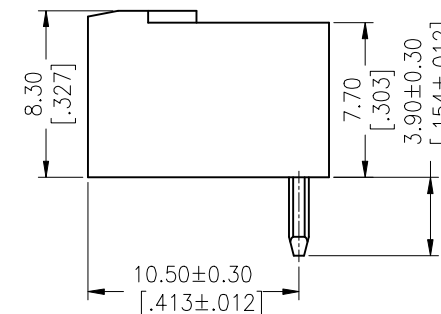
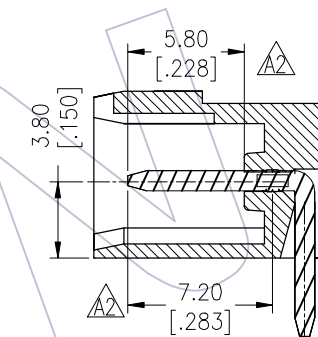
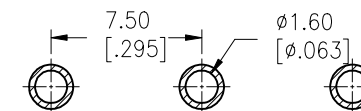
Ordering Information:

P M 750- 1 R XX A SM 2 N

M=Male Pitch 750=7.50 No.of Pins 02-20P Contact Plated SM=Matte Tin Series No. Blank=W/T WCON N=W/O WCON Color A=Green



Recommended P.C.B Layout(Top Side)
 (PCB BOARD TOLERANCE±0.05)



SECTION A-A

PIN	DIM.A	DIM.B	PIN	DIM.A	DIM.B
02	7.50	25.50	12	82.50	100.50
03	15.00	33.00	13	90.00	108.00
04	22.50	40.50	14	97.50	115.50
05	30.00	48.00	15	105.00	123.00
06	37.50	55.50	16	112.50	130.50
07	45.00	63.00	17	120.00	138.00
08	52.50	70.50	18	127.50	145.50
09	60.00	78.00	19	135.00	153.00
10	67.50	85.50	20	142.50	160.50
11	75.00	93.00			

REV	DATE	MODIFICATION DESCRIPTION	CHANGE	OPERATION	SCALE	FIT	PART NO.
A3	2021/02/23	ADD UL Logo;ADD W/O WCON SPEC&P/N	XSR	OPERATION	SCALE	FIT	PART NO.
A2	2020/10/31	ADD DIM.	XSR	OPERATION	UNIT	mm	PM750-1RXXASM2(N)
A1	2014/04/15	Modify	Allen	CHECK	SIZE	inch	TITLE:
A0	2013/11/06	NEW	—	APPROVE	SHEET	A4	7.50mm Pitch Male
					PROJ.	1/1	Pluggable Terminal Blocks
							Customer NO.

WCON

Http: www.wcon.com

WCON-Dongguan Tel: +86 769 85358920 Fax: +86 769 85358915 E-mail: sales@wcon.com
 WCON-Kunshan Tel: +86 512 57468408 Fax: +86 512 57468468 E-mail: sales@wcon.com