

HSF

NOTES:

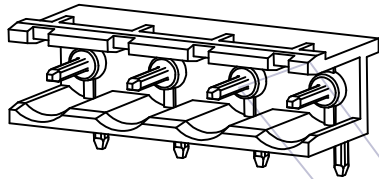
Rated Current:15 AMP
 Contact Resistance:8.0 milliohm Max
 Withstand Voltage:2000 V AC/DC
 Insulation Resistance:1000 Megohm min
 Operation Temperature:-40°C to +105°C

Housing Material:PA66+30%GF(UL94V-0)
 Contact Material:Brass
 Terminal Plating:
 Matte Tin Plated Over Nickel

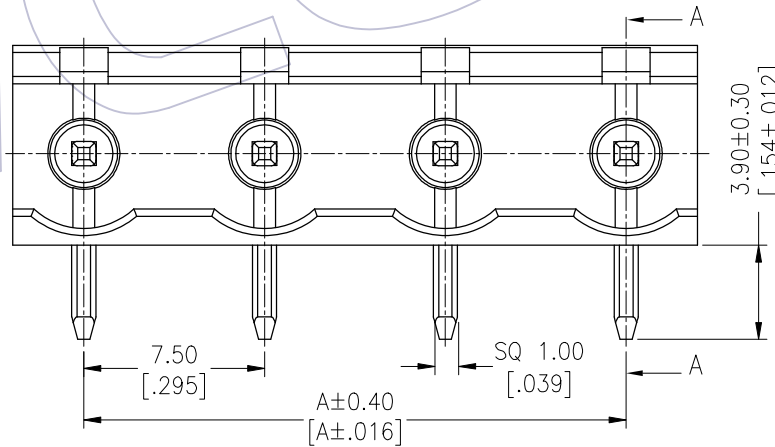
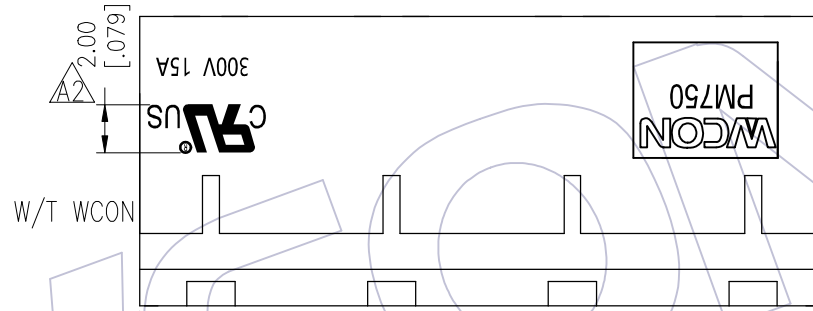
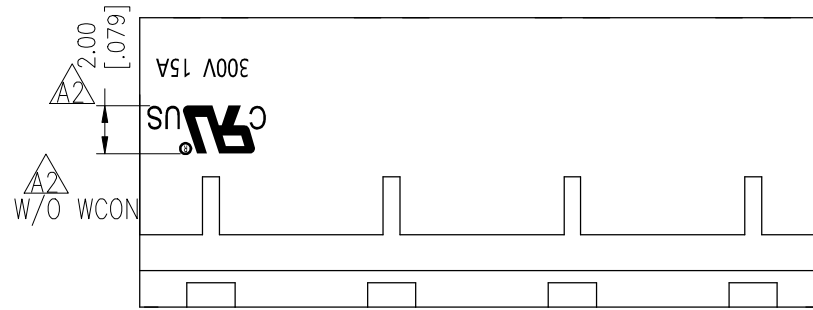
Ordering Information:

P M 750- 1 R XX A SM 3 N

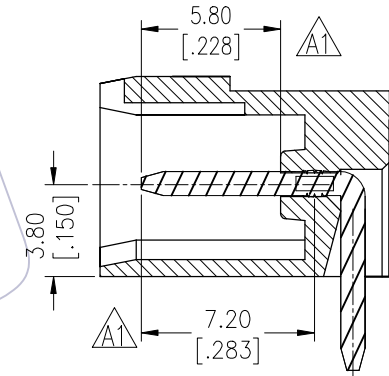
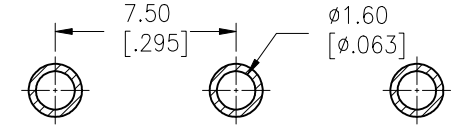
M=Male Pitch 750=7.50 No.of Pins 02-20P Contact Plated SM=Matte Tin Series No. Color A=Green Blank=W/T WCON N=W/O WCON



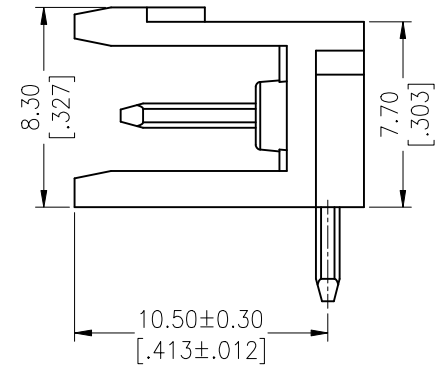
PIN	DIM.A	DIM.B	PIN	DIM.A	DIM.B
02	7.50	13.40	12	82.50	88.40
03	15.00	20.90	13	90.00	95.90
04	22.50	28.40	14	97.50	103.40
05	30.00	35.90	15	105.00	110.90
06	37.50	43.40	16	112.50	118.40
07	45.00	50.90	17	120.00	125.90
08	52.50	58.40	18	127.50	133.40
09	60.00	65.90	19	135.00	140.90
10	67.50	73.40	20	142.50	148.40
11	75.00	80.90			



Recommended P.C.B Layout(Top Side)
 (PCB BOARD TOLERANCE±0.05)



SECTION A-A



REV	DATE	MODIFICATION DESCRIPTION	CHANGE	OPERATION		DRAW	DATE	SCALE	FIT	PART NO.
				x.x	±0.40					
A2	2021/02/23	ADD UL Logo;ADD W/O WCON SPEC&P/N	XSR	x.xx	±0.25	XSR	2021/02/23	UNIT	mm	PM750-1RXXASM3(N)
A1	2020/10/31	ADD DIM.	XSR	x.xxx	±0.15	CHECK	DATE	SIZE	A4	
A0	2013/11/06	NEW	---	Angle	± 3'	APPROVE	DATE	SHEET	1/1	TITLE: 7.50mm Pitch Male Pluggable Terminal Blocks
				DIM	TOL			PROJ.		Customer NO.

WCON

Http: www.wcon.com

WCON-Dongguan Tel: +86 769 85358920 Fax: +86 769 85358915 E-mail: sales@wcon.com
 WCON-Kunshan Tel: +86 512 57468408 Fax: +86 512 57468468 E-mail: sales@wcon.com