



HSF


NOTES:

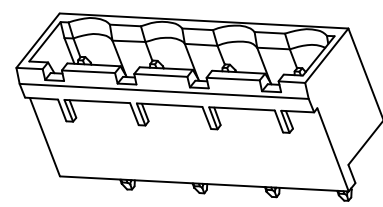
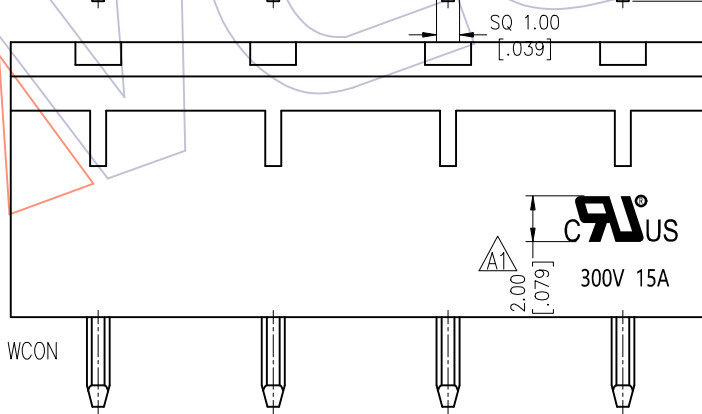
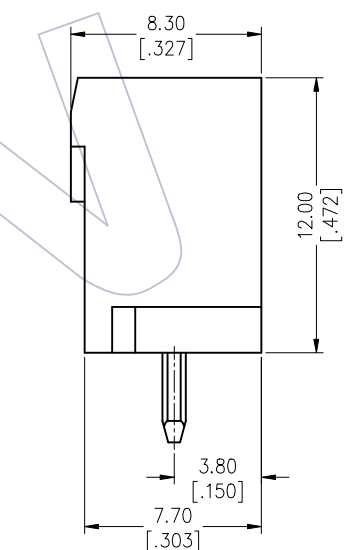
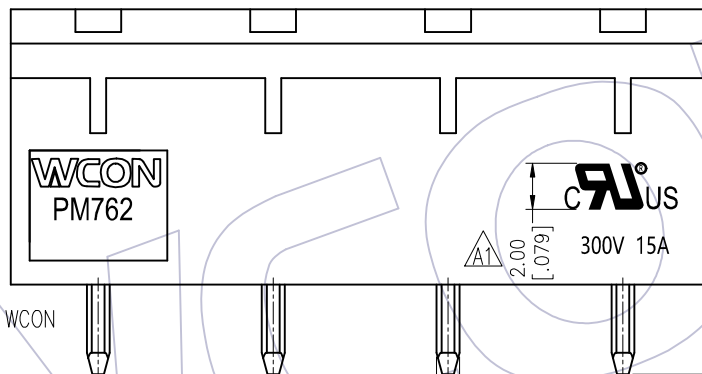
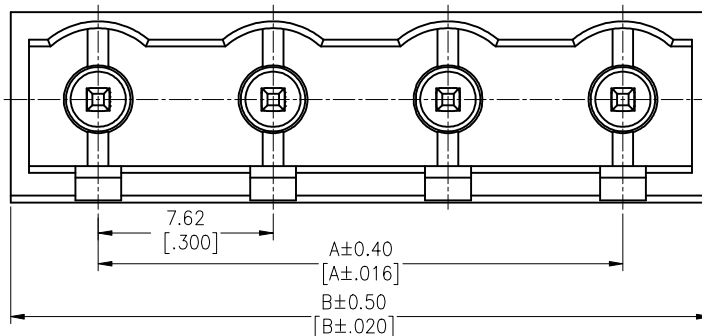
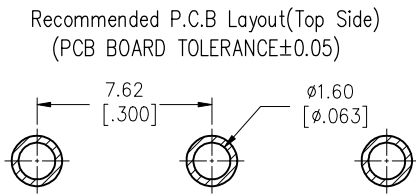
Rated Current: 15.0 AMP
 Contact Resistance: 8.0 milliohm Max
 Withstand Voltage: 2000 V AC/DC
 Insulation Resistance: 1000 Megohm min
 Operation Temperature: -40°C to +105°C

Housing Material: PA66(UL94V-0) 
 Contact Material: Brass
 Terminal Plating:
 Matte Tin Plated Over Nickel



Ordering Information:

P M 762- 1 S XX A SM 1  **N**

M=Male Pitch 762=7.62 No. of Pins 02-20P Contact Plated SM=Matte Tin Series No.  N
 Color A=Green Blank=W/T WCON N=W/O WCON



PIN	DIM. A	DIM. B	PIN	DIM. A	DIM. B
02	7.62	15.24	12	83.82	91.44
03	15.24	22.86	13	91.44	99.06
04	22.86	30.48	14	99.06	106.68
05	30.48	38.10	15	106.68	114.30
06	38.10	45.72	16	114.30	121.92
07	45.72	53.34	17	121.92	129.54
08	53.34	60.96	18	129.54	137.16
09	60.96	68.58	19	137.16	144.78
10	68.58	76.20	20	144.78	152.40
11	76.20	83.82			

REV	DATE	MODIFICATION DESCRIPTION	CHANGE	OPERATION	DRAW	DATE	SCALE	FIT	PART NO.
A2	2021/08/24	Material Change	GH	X.X ±0.40	GH	2021/08/24	UNIT mm		PM762-1SXXASM1(N) 
A1	2021/02/23	ADD UL Logo; ADD W/O WCON SPEC&P/N	XSR	X.XX ±0.25	CHECK	DATE	SIZE A4		TITLE: 7.62mm Pitch Male Pluggable Terminal Blocks
A0	2013/10/24	NEW		X.XXX ±0.15	APPROVE	DATE	SHEET 1/1		Customer NO.
				Angle ± 3°			PROJ. 		
				DIM TOL					

WCON
 Http: www.wcon.com

WCON-Dongguan Tel: +86 769 85358920
 Fax: +86 769 85358915
 E-mail: sales@wcon.com

WCON-Kunshan Tel: +86 512 57468408
 Fax: +86 512 57468468
 E-mail: salesks@wcon.com