

# HSF

**NOTES:**

Rated Current: 15.0 AMP  
 Contact Resistance: 8.0 milliohm Max  
 Withstand Voltage: 2000 V AC/DC  
 Insulation Resistance: 1000 Megohm min  
 Operation Temperature: -40°C to +105°C

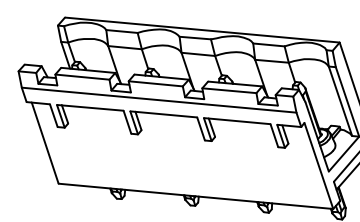
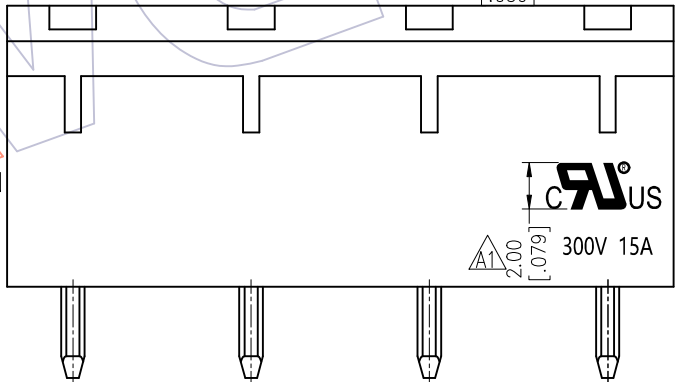
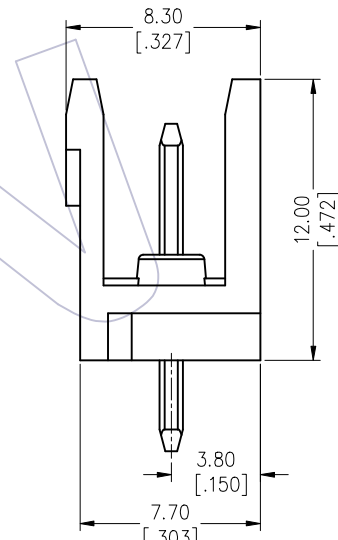
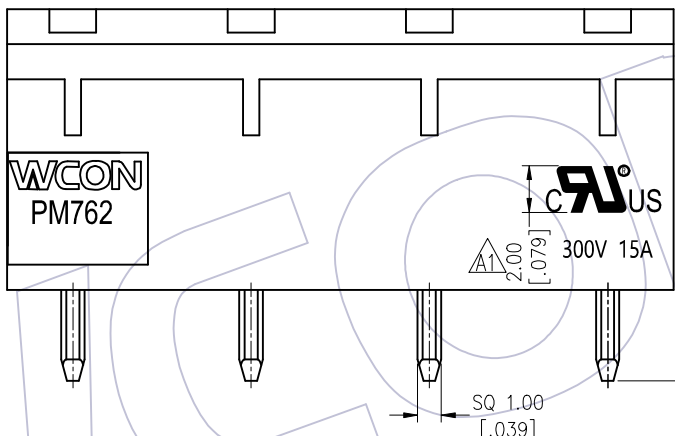
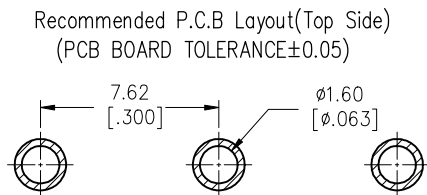
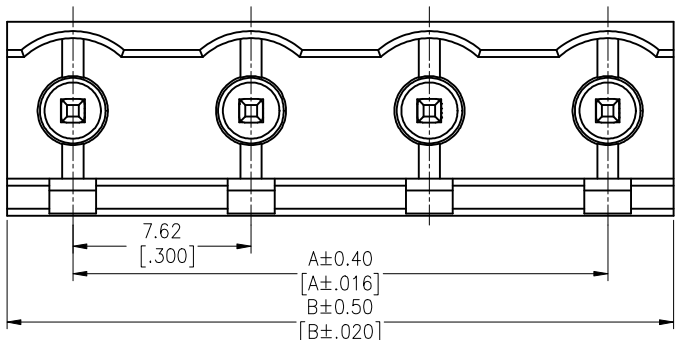
Housing Material: PA66(UL94V-0)  $\Delta$   
 Contact Material: Brass  
 Terminal Plating:  
 Matte Tin Plated Over Nickel

**Ordering Information:**

**P M 762- 1 S XX A SM 3 N**

M=Male Pitch 762=7.62 No. of Pins 02-20P Contact Plated SM=Matte Tin Series No. N  
 Color A=Green Blank=W/T WCON N=W/O WCON

PIN	DIM.A	DIM.B	PIN	DIM.A	DIM.B
0 2	7.62	13.24	1 2	83.82	89.44
0 3	15.24	20.86	1 3	91.44	97.06
0 4	22.86	28.48	1 4	99.06	104.68
0 5	30.48	36.10	1 5	106.68	112.30
0 6	38.10	43.72	1 6	114.30	119.92
0 7	45.72	51.34	1 7	121.92	127.54
0 8	53.34	58.96	1 8	129.54	135.16
0 9	60.96	66.58	1 9	137.16	142.78
1 0	68.58	74.20	2 0	144.78	150.40
1 1	76.20	81.82			



REV	DATE	MODIFICATION DESCRIPTION	CHANGE	OPERATION		DRAW	DATE	SCALE	FIT	PART NO.
				X.X	±0.40					
A2	2021/08/24	Material Change	GH	X.XX	±0.25	CHECK	DATE	UNIT	inch	TITLE:
A1	2021/02/23	ADD UL Logo; ADD W/O WCON SPEC&P/N	XSR	X.XXX	±0.15	APPROVE	DATE	SIZE	A4	7.62mm Pitch Male Pluggable Terminal Blocks
A0	2013/10/24	NEW		Angle	± 3'			SHEET	1/1	Customer NO.
				DIM	TOL			PROJ.		

**WCON**  
 Http: www.wcon.com

WCON-Dongguan Tel: +86 769 85358920  
 Fax: +86 769 85358915  
 E-mail: sales@wcon.com

WCON-Kunshan Tel: +86 512 57468408  
 Fax: +86 512 57468468  
 E-mail: sales@wcon.com