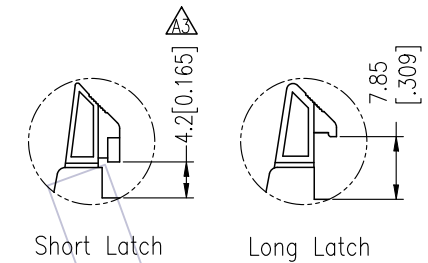
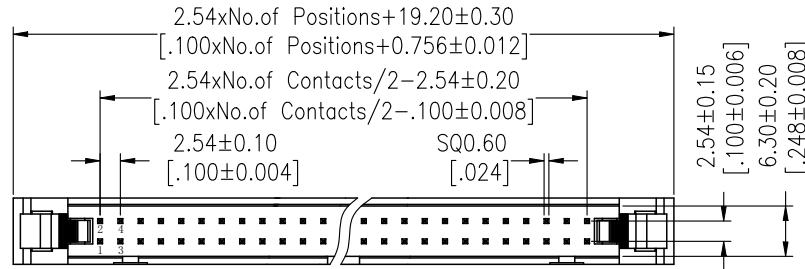


# HSF

NOTES:  
 Current Rating: 3.0AMP  
 Contact Resistance: 20mΩ Max  
 Withstand Voltage: 1000V AC/DC  
 Insulation Resistance: 1000MΩ Min  
 Operation Temperature: -40°C to +105°C

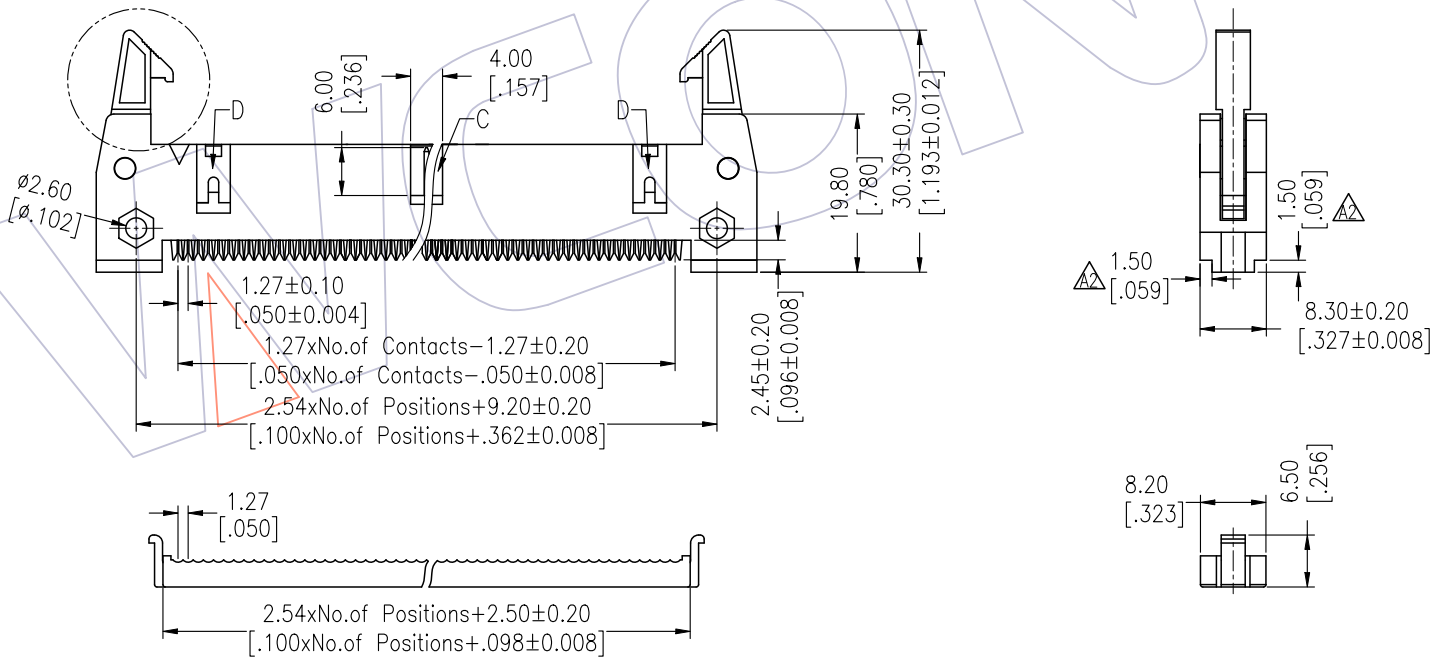
Contact Material: Brass  
 Contact plating: Au over Ni  
 Insulator Material: PBT+30%G.F UL94V-0  
 10P-18P With "C", Without "D",  
 20P-64P With "C" and "D".



## Ordering Information

3820-XX XX N X X 01

- |             |                  |                 |                 |
|-------------|------------------|-----------------|-----------------|
| No. of Pins | Contact Plating  | Insulator Color | Latch Type      |
| 10 30       | S0=Gold Flash/Ni | G=Grey(427C)    | L=Long Latch    |
| 14 34       | S3=10u"Gold/Ni   | E=Grey(413C)    | S=Short Latch   |
| 16 40       | S4=15u"Gold/Ni   | B=Black         | N=Without Latch |
| 20 50       | S5=30u"Gold/Ni   | U=Blue          |                 |
| 26 60       |                  |                 |                 |
| 64          |                  |                 |                 |



Item	Pitch	Mating
Standard	2.54	5212
Alternate		

A3	2022/05/12	Modify Size	Du Ying	OPERATION	DRAW	DATE	SCALE	FIT	PART NO.
A2	2017/03/15	Modify	Surong Xu	x.X ±0.40	Du Ying	2017/03/15	UNIT	mm	3820-XXXXNXX01
A1	2012/11/22	Modify The Contact Plating	-----	x.XX ±0.25	CHECK	DATE	SIZE	A4	TITLE:
A0	2012/10/08	NEW	-----	x.XXX ±0.15	APPROVE	DATE	SHEET	1/1	2.54mm EJECTOR HEADER
REV	DATE	MODIFICATION DESCRIPTION	CHANGE	Angle ± 3°			PROJ.		IDC TYPE
				DIM TOL					Customer NO.

# WCON

Http: www.wcon.com

WCON-Dongguan	WCON-Kunshan
Tel: +86 769 85358920	Tel: +86 512 57468408
Fax: +86 769 85358915	Fax: +86 512 57468468
E-mail: sales@wcon.com	E-mail: salesks@wcon.com