

HSF

NOTES:

1.MATERIAL SPECIFICATION:

- 1-1.HOUSING:PPS,UL94V-0
- 1-2.CONTACT:COPPER ALLOY.

2.PLATING SPECIFICATION:

- 2-1.SN (APPLY TO 8-28 POS):
 - 40-80u" NICKEL UNDERPLATING OVERALL;
 - CONTACT ZONE:
 - 30-80u" BRIGHT TIN ON OVERALL;
 - WELD ZONE:
 - 100-200u" BRIGHT TIN ON OVERALL;
- 2-2.SR: (APPLY TO 32-40 POS):
 - 40-80u" NICKEL UNDERPLATINGOVERAL;
 - CONTACT ZONE:
 - 40-80u" REFLOW TIN ON OVERALL;
 - WELD ZONE:
 - 100-200u" MATTE TIN ON OVERALL;

3.ELECTRICAL PERFORMANCE:

- 3-1.CURRENT RATING: 3A MAX.
- 3-2.COMTACT RESISTANCE: 25mΩ MAX.
- 3-3.WITHSTANDING VOLTAGE:1000V AC,
- 3-4.INSULATION RESISTANCE:100MΩ MIN.

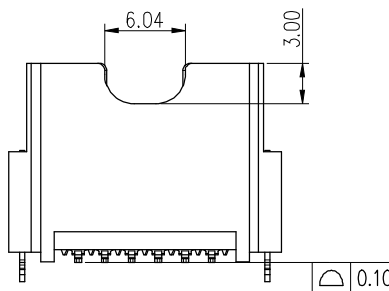
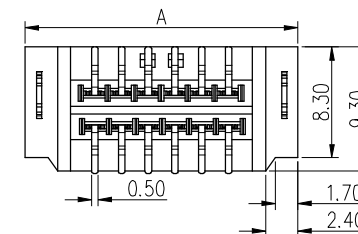
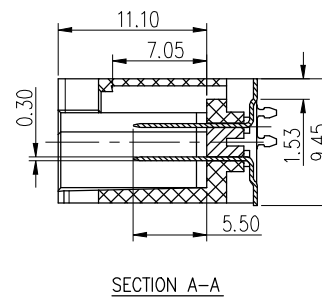
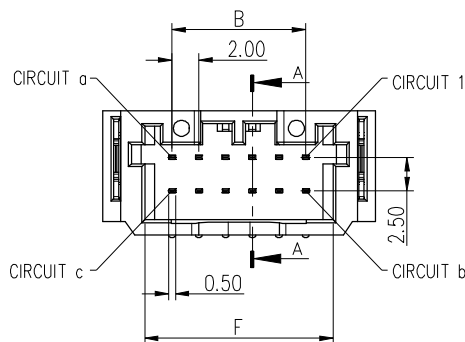
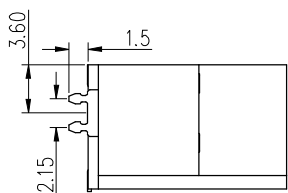
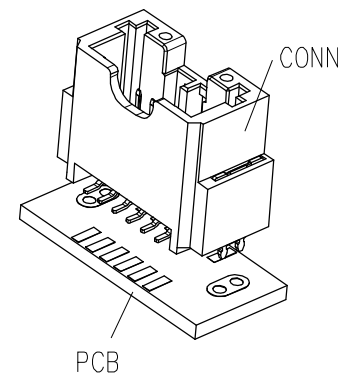
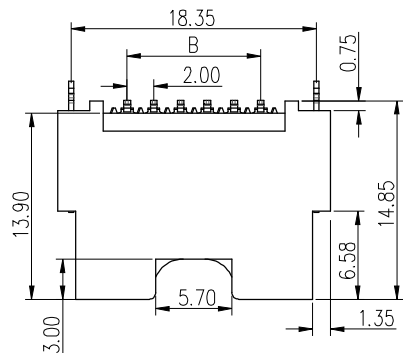
4.ENVIRONMENTAL PERFORMANCE:

OPERATING TEMPERATURE: -40°C to +100°C.

5.RECOMMENDED PROCESS:

THE PEAK TEMPERATURE ON THE BOARD SHALL MAINTAIN 10 SECONDS AT 260±5°C.

6.RoHS COMPLIANT.



POS.	A	B	C	F
08	16.40	6.00	14.35	10.10
12	20.40	10.00	18.35	14.10
16	24.40	14.00	22.35	18.10
20	28.40	18.00	26.35	22.10
24	32.40	22.00	30.35	26.10
28	36.40	26.00	34.35	30.10
32	40.40	30.00	38.35	34.10
40	48.40	38.00	46.35	42.10

REV	DATE	MODIFICATION DESCRIPTION	CHANGE	OPERATION	DRAW	DATE	SCALE	PART NO.
A2	7/08'23	Update Coding Explanation & NOTES	JINQUAN ZENG	x.x ±0.40	JINQUAN ZENG	7/08'23	1:1	72025-2MM0XXFXXXBRXX
A1	6/01'23	Update Coding Explanation & Drawing	Morris	x.xx ±0.25	CHECK	DATE	UNIT	TITLE: 2.0*2.5mm Auto-Conn, Dual Row Male,180° SMT TYPE,W/T Lock
AO	9/14'21	NEW	-----	x.xxx ±0.15	APPROVE	DATE	SIZE	
				Angle ± 3'		DATE	SHEET	Customer NO.
				DIM TOL		7/08'23	PROJ.	

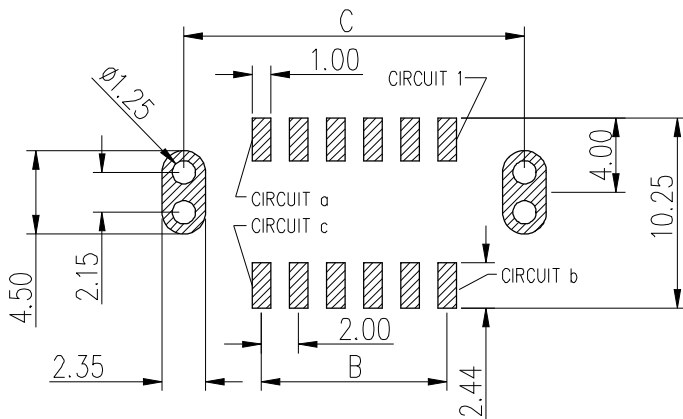
WCON
Http: www.wcon.com

WCON-Dongguan Tel: +86 769 85358920
WCON-Kunshan Tel: +86 512 57468408
Fax: +86 769 85358915 Fax: +86 512 57468468
E-mail: sales@wcon.com E-mail: salesks@wcon.com

HSF

Recommended P.C.B Layout (Top Side)
(PCB BOARD TOLERANCE±0.05,T=1.6mm)

-U- PCB TOP SIDE SURFACE



ORDERING INFORMATION

72025-2 M M 0XX F X XX B R X X

PRODUCT CODE

DOUBLE ROW

MALE

180°SMT TYPE

PIN NO.:

008=8PIN 012=12PIN

016=16PIN 020=20PIN

024=24PIN 028=28PIN

032=32PIN 040=40PIN

PLASTIC MATERIAL:

F=PPS

COLOR:

B=BLACK

T=NATURAL

U=BLUE

W=W/T WCON

Blank=W/O WCON

KEY CODE:

1= KEY-1 (C5191) 4=KEY-1 (C7025)

2= KEY-2 (C5191) 5=KEY-2 (C7025)

3= KEY-3 (C5191) 6=KEY-3 (C7025)

PACKAGE:

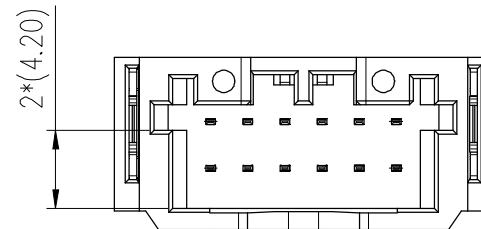
R=REEL

NO SEAL

PLATING:

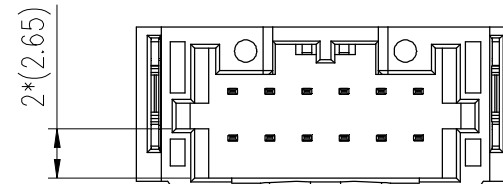
SN:BRIGHT TIN

SR:REFLOW TIN



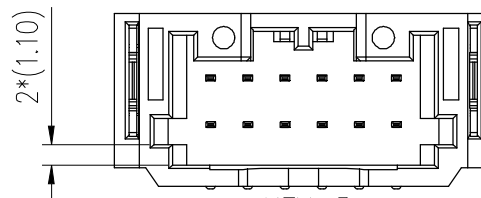
KEY-1

72025-2MM0XXFXXXBRXX



KEY-2

72025-2MM0XXFXXXBRXX



KEY-3

72025-2MM0XXFXXXBRXX

REV	DATE	MODIFICATION DESCRIPTION	CHANGE	OPERATION	DRAW	DATE	SCALE	1:1	PART NO.
A2	7/08'23	Update Coding Explanation & NOTES	JINQUAN ZENG	x.x ±0.40	JINQUAN ZENG	7/08'23	UNIT	mm	72025-2MM0XXFXXXBRXX
A1	6/01'23	Update Coding Explanation & Drawing	Morris	x.xx ±0.25	CHECK	DATE	SIZE	A4	TITLE: 2.0*2.5mm Auto-Conn, Dual Row Male,180° SMT TYPE,W/T Lock
AO	9/14'21	NEW	-----	x.xxx ±0.15	Joe.xie	7/08'23	SHEET	2/2	
				Angle ± 3'	APPROVE	DATE	PROJ.	Customer NO.	
				DIM TOL		7/08'23			

WCON

Http: www.wcon.com

WCON-Dongguan
Tel: +86 769 85358920
Fax: +86 769 85358915
E-mail: sales@wcon.com

WCON-Kunshan
Tel: +86 512 57468408
Fax: +86 512 57468468
E-mail: salesks@wcon.com