

# HSF

**NOTES:**

- 1.Voltage Rating:125V AC/DC;
- 2.Withstand Voltage: 1000V AC;
- 3.Insulation Resistance: 100MΩ Min;
- 4.Operating Temperature: -40°C to +125°C;
- 5.Insulator Material:  
PBT,G.F,UL94V-O,BK;

Matching parts	
Housing	Wiring terminal
WD2000-2HKXXX0XX	WD3500-MTP28XX01

## Ordering Information

WD2000-2 H K XX X O X X

2=Dual Row

H=HOUSING

No.of Pins of single row :  
05=5P; 06=6P; 11=11P;13=13P;  
14=14P;16=16P;17=17P;  
20=20P;

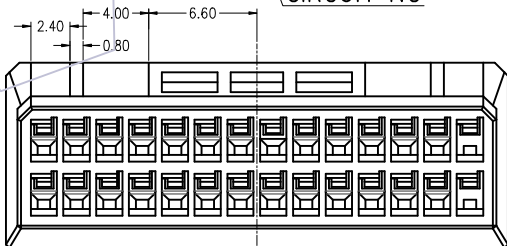
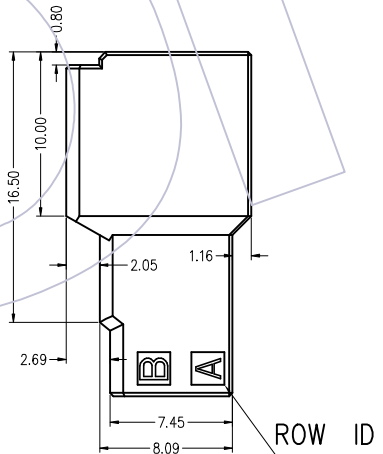
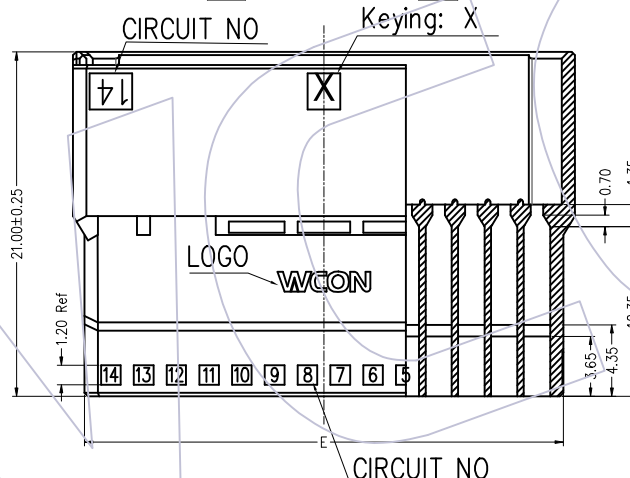
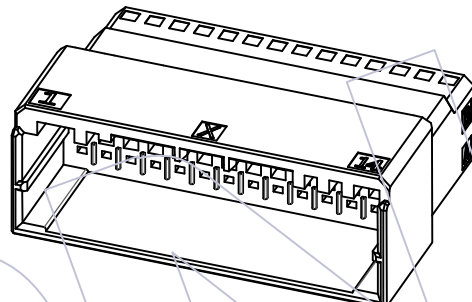
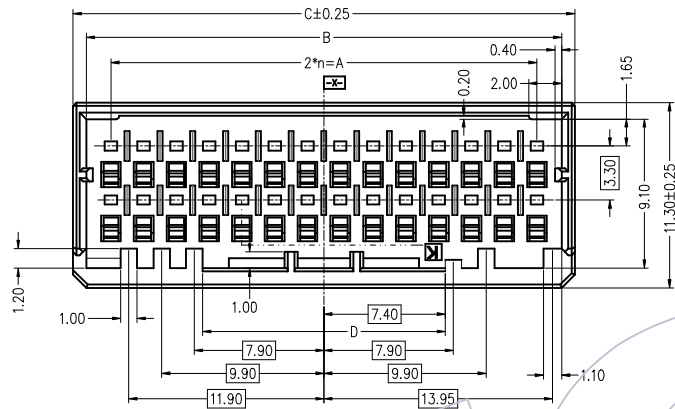
Color:

B=Black; Y=Yellow;  
W=Natural; R=Red


PACKING:PE Bag

01= X Fool-proofing  
02= Y Fool-proofing

W: With logo  
blank: without logo



P/N	PIN	KEY	n	A	B	C	D	E
WD2000-2HK05B001X	10	X	4	8.00	11.00	12.60	5.60	11.20
WD2000-2HK06B001X	12	X	5	10.00	13.00	14.60	7.60	13.20
WD2000-2HK20B001X	40	X	19	38.00	41.00	42.60	14.80	41.20
WD2000-2HK17B001X	34	X	16	32.00	35.00	36.60	14.80	35.20
WD2000-2HK16B001X	32	X	15	30.00	33.00	34.60	14.80	33.20
WD2000-2HK14B001X	28	X	13	26.00	29.00	30.60	14.80	29.20
WD2000-2HK13B001X	26	X	12	24.00	27.00	28.60	14.80	27.20
WD2000-2HK11B001X	22	X	10	20.00	23.00	24.60	14.80	23.20

REV	DATE	MODIFICATION DESCRIPTION	CHANGE	OPERATION	DRAW	DATE	SCALE	FIT	PART NO.	 Http: www.wcon.com WCON-Dongguan Tel: +86 769 85358920 WCON-Kunshan Tel: +86 512 57468408 Fax: +86 769 85358915 E-mail: sales@wcon.com
A2	2023.08.02	Add the cable terminal material number	---	X.X ±0.40	kevin-xin	2023.08.02	UNIT	mm	WD2000-2HKXXX0X (W)	
A1	2022.11.15	Add 2*6pin	---	X.XX ±0.25	CHECK	DATE	SIZE	A4	TITLE: 2.0X3.3mm Dyn. TYPE Dual Row Free Hanging Housing	
A0	2022.05.20	NEW	---	X.XXX ±0.15	APPROVE	DATE	SHEET	1/5	Customer NO.	
				Angle ± 3° DIM TOL			PROJ.			