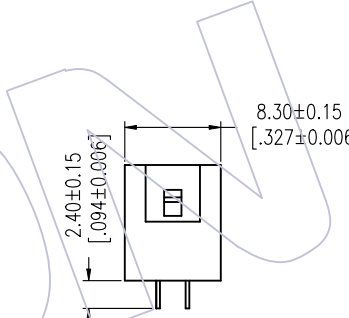
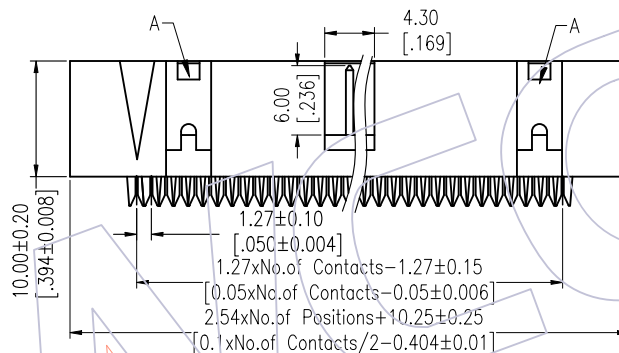
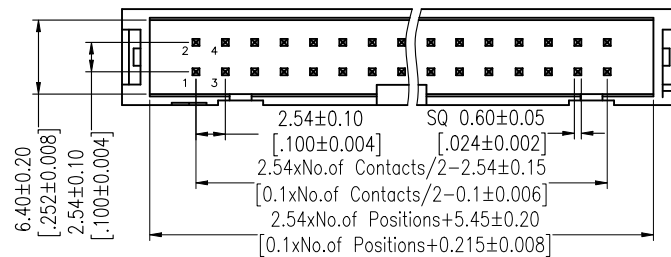


HSF

NOTES:
 Current Rating: 3.0AMP
 Contact Resistance: 20mΩ Max
 Withstand Voltage: 1000V AC/DC
 Insulation Resistance: 1000MΩ Min
 Operation Temperature: -40°C to +105°C

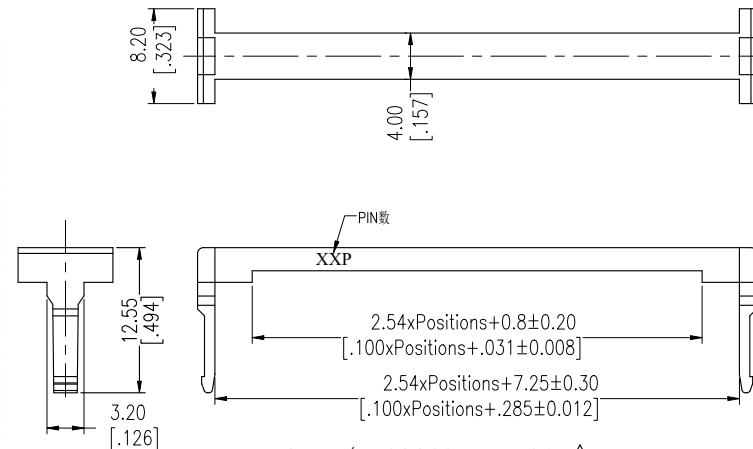
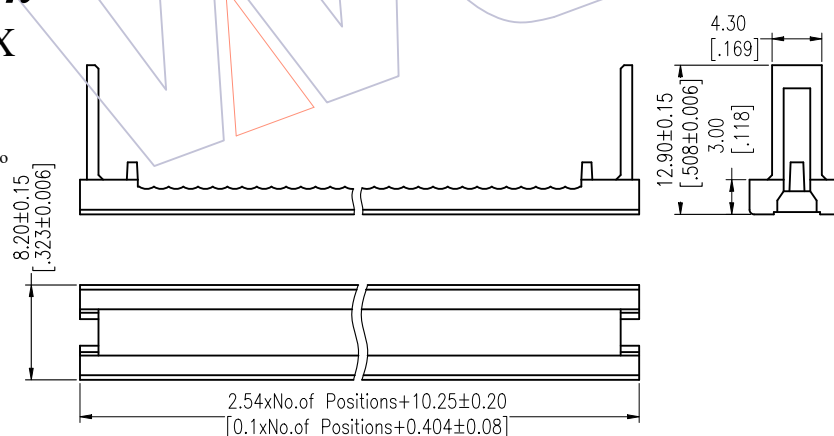
Contact Material: Brass
 Contact plating: Au over Ni
 Insulator Material: PBT+30%G.F UL94V-0
 10~16Pin Without "A"



Ordering Information

3810-XX XX N G N 0 X

No. of Pins	Contact Plating	Insulator Colour	Logo
08 30	S0=Gold Flash/Ni	G=Gray(427C)	N=Without Logo
10 34	S3=10u"Gold/Ni	E=Gray(413C)	W=With Logo
14 40	S4=15u"Gold/Ni	B=Black	
16 50	S5=30u"Gold/Ni		
20 60			
24 64			
26			



COVER: G3810-XXXXC01

SR P/N: G3810-XXXD01

Item	Pitch	Mating
Standard	2.54	5212/5211
Alternate		

REV	DATE	MODIFICATION DESCRIPTION	CHANGE	OPERATION	DRAW	DATE	SCALE	FIT	PART NO.
A2	2018/01/11	Modify	-----	x.X ±0.40	Ding	2018/01/11	UNIT	mm	3810-XXXXXNGNOX
A1	2012/11/22	Modify The Contact Plating	-----	x.XX ±0.25	CHECK	DATE	SIZE	A4	TITLE: 2.54mm BOX HEADER IDC TYPE
A0	2012/09/25	NEW	-----	x.XXX ±0.15	APPROVE	DATE	SHEET	1/1	Customer NO.
				Angle ± 3'			PROJ.		
				DIM TOL					

WCON

Http: www.wcon.com

WCON-Dongguan Tel: +86 769 85358920
 WCON-Kunshan Tel: +86 512 57468408
 Fax: +86 769 85358915
 Fax: +86 512 57468468
 E-mail: sales@wcon.com
 E-mail: salesks@wcon.com