

HSF

NOTE:
 Rated Current: 3.0A
 Rated Voltage: 125V.
 Contact Resistance: 20mΩ Max
 Withstanding Voltage: 1000V AC.
 Insulation Resistance: 100MΩ Min
 Temperature Range: -40°C ~ +125°C

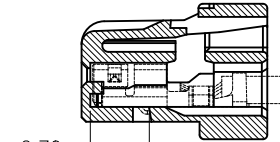
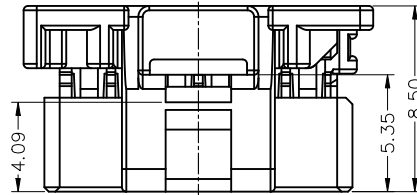
Housing Material: PBT, UL94 V-0, Nature or Red;
 ISL Material: PBT, UL94 V-0, Gray;
 Used With: WF2012-TXX02

Ordering Information

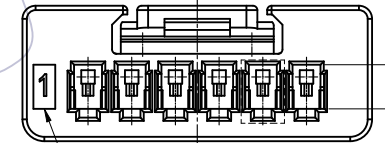
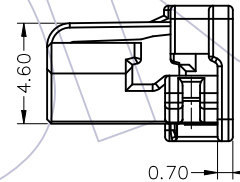
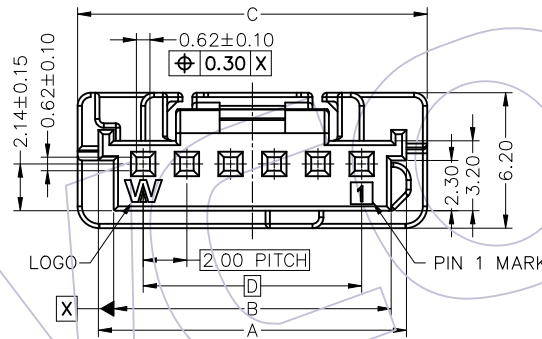
WF2012- 1 H XX X O 2 W
 1= SINGLE ROW
 NO. OF CIRCUITS PER ROW
 04= 4 CIRCUITS
 HSG COLOR:
 T= NATURE
 R= RED
 PACKING:
 O= PE BAG
 INTERNAL CODE
 W= WITH "WCON" LOGO

WF2012-1HXXX02W BOM LIST

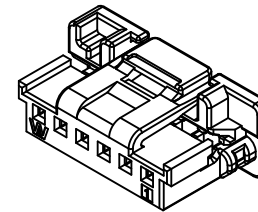
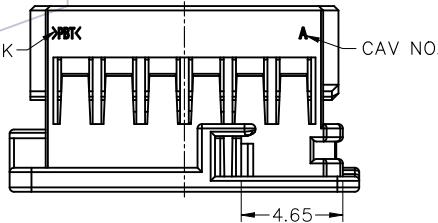
ITEM	PART NO.	DESCRIPTION
1	GW2012-1HXXT02W	HOUSING
2	GW2012-1CXXG02	ISL



TERMINAL ASSEMBLY DRAWING



MATERIAL MARK



PIN	A	B	C	D
1*2	6.10	4.70	8.00	2.00
1*3	8.10	6.70	10.00	4.00
1*4	10.10	8.70	12.00	6.00
1*5	12.10	10.70	14.00	8.00
1*6	14.10	12.70	16.00	10.00
1*7	16.10	14.70	18.00	12.00
1*8	18.10	16.70	20.00	14.00
1*9	20.10	18.70	22.00	16.00
1*10	22.10	20.70	24.00	18.00
1*11	24.10	22.70	26.00	20.00
1*12	26.10	24.70	28.00	22.00

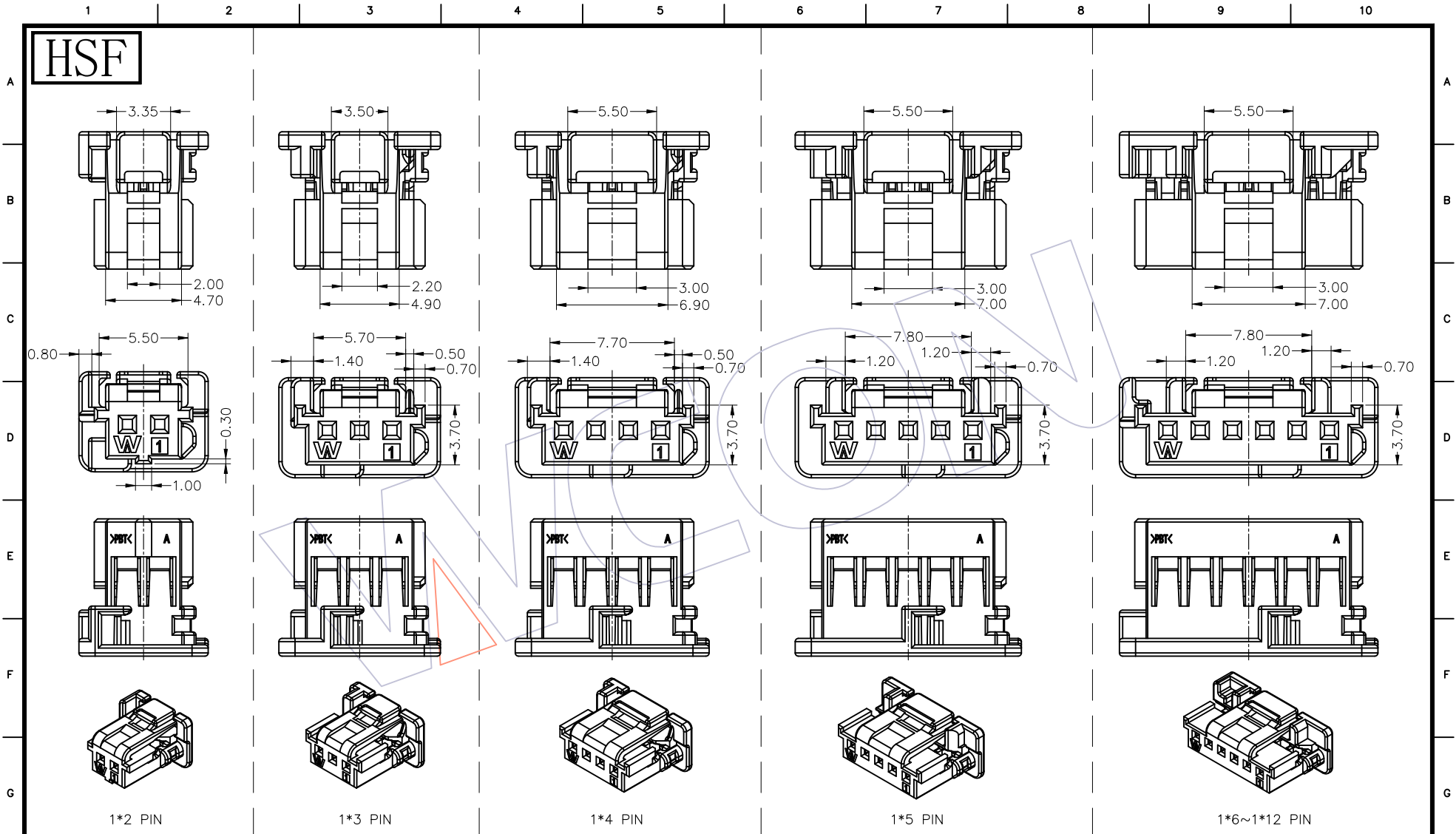
REV	DATE	MODIFICATION DESCRIPTION	CHANGE	OPERATION	DRAW	DATE	SCALE	FIT	PART NO.
A0	2023/09/15	NEW		X.X ±0.40	XueLei	2023/09/15	UNIT mm		GW2012-1HXXX02W
				X.XX ±0.25	CHECK	DATE	SIZE A4		TITLE: 2.00mm Housing, M Type Connector
				X.XXX ±0.15	APPROVE	DATE	SHEET 1/4		Customer NO.
				Angle ± 3°			PROJ.		
				DIM TOL					


WCON

Http: www.wcon.com

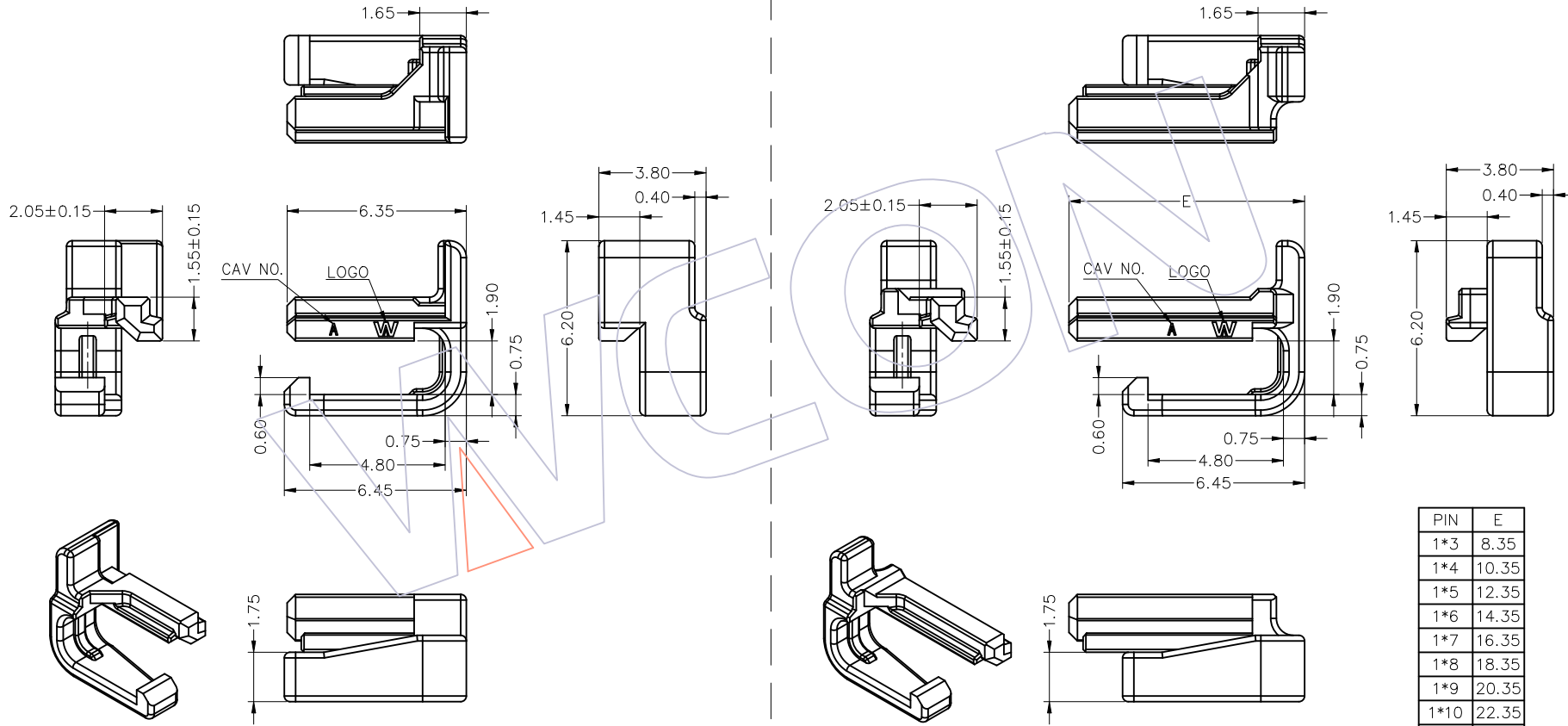
WCON-Dongguan Tel: +86 769 85358920
 WCON-Kunshan Tel: +86 512 57468408
 Fax: +86 769 85358915 Fax: +86 512 57468468
 E-mail: sales@wcon.com E-mail: sales@wcon.com

HSF



				OPERATION		DRAW		DATE		SCALE		FIT		PART NO.		 Http: www.wcon.com WCON-Dongguan WCON-Kunshan Tel: +86 769 85358920 Tel: +86 512 57468408 Fax: +86 769 85358915 Fax: +86 512 57468468 E-mail: sales@wcon.com E-mail: sales@wcon.com	
				X.X ±0.40		XueLei		2023/09/15		UNIT		mm		TITLE:			
				X.XX ±0.25		CHECK		DATE		SIZE		A4		2.00mm Housing, M Type Connector			
A0 2023/09/15 NEW				X.XXX ±0.15		APPROVE		DATE		SHEET		2/4		Customer NO.			
REV	DATE	MODIFICATION DESCRIPTION		CHANGE	DIM	TOL											


HSF



PIN	E
1*3	8.35
1*4	10.35
1*5	12.35
1*6	14.35
1*7	16.35
1*8	18.35
1*9	20.35
1*10	22.35
1*11	24.35
1*12	26.35

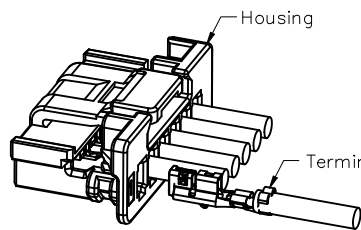
ISL(1*2PIN)

ISL(1*3~12PIN)

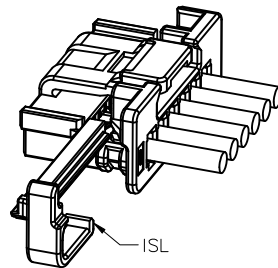
				OPERATION		DRAW		DATE		SCALE		FIT		PART NO.		 Http: www.wcon.com WCON-Dongguan WCON-Kunshan Tel: +86 769 85358920 Tel: +86 512 57468408 Fax: +86 769 85358915 Fax: +86 512 57468468 E-mail: sales@wcon.com E-mail: sales@wcon.com	
				X.X ±0.40		XueLei		2023/09/15		UNIT		mm		GWF2012-1CXG02			
				X.XX ±0.25		CHECK		DATE		SIZE		A4		TITLE:			
AO 2023/09/15				X.XXX ±0.15		APPROVE		DATE		SHEET		3/4		2.00mm Housing, M Type Connector (ISL)			
REV	DATE	MODIFICATION DESCRIPTION		CHANGE	Angle	± 3'	APPROVE	DATE	PROJ.	Customer NO. ---							
					DIM	TOL											

HSF

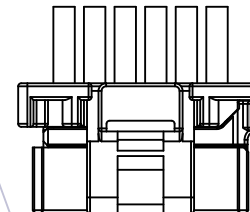
ASSEMBLING PROCESS



TERMINAL INSERT HOUSING



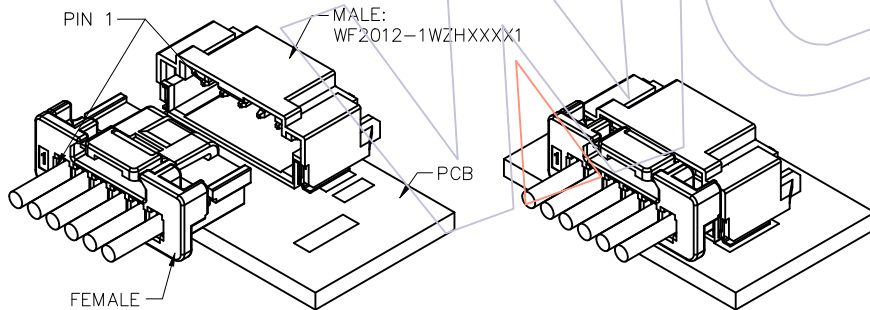
ISL INSERTED HOUSING



FINISHED PRODUCT

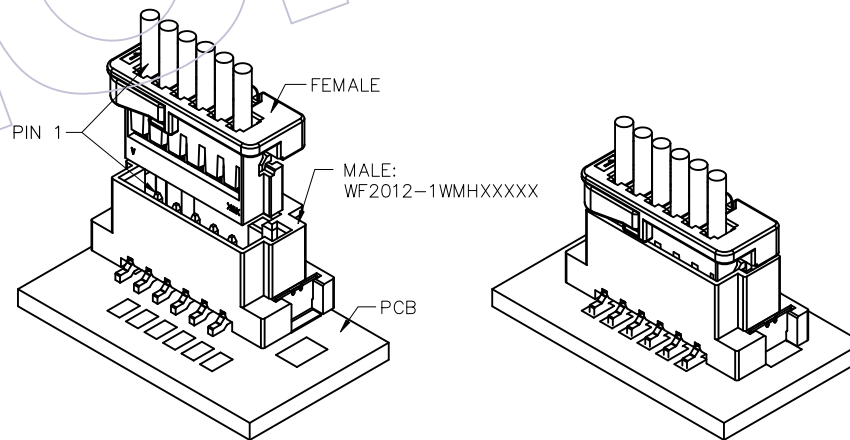
MATED WITH 90° MALE CONNECTOR

MATED WITH 180° MALE CONNECTOR




EXPLODED VIEW

MATING VIEW



EXPLODED VIEW

MATING VIEW

					OPERATION	DRAW	DATE	SCALE	FIT	PART NO.	 Http: www.wcon.com WCON-Dongguan WCON-Kunshan Tel: +86 769 85358920 Tel: +86 512 57468408 Fax: +86 769 85358915 Fax: +86 512 57468468 E-mail: sales@wcon.com E-mail: salesks@wcon.com
				X.X	±0.40	XueLei	2023/09/15	UNIT	mm	WF2012-1HXXX02W	
				X.XX	±0.25		DATE	SIZE	A4	TITLE:	
A0	2023/09/15	NEW		X.XXX	±0.15		DATE	SHEET	4/4	2.00mm Housing, M Type Connector	
REV	DATE	MODIFICATION DESCRIPTION	CHANGE	Angle	± 3°	APPROVE	DATE	PROJ.	↺	Customer NO.	
				DIM	TOL						