

HSF

NOTE:
 Rated Current: See Table 1
 Rated Voltage: 50 V AC(RMS)/DC;
 Contact Resistance: 20mΩ Max;
 Withstanding Voltage: 500V AC;
 Insulation Resistance: 100MΩ Min;
 Temperature Range: -40°C ~ +125°C
 (Includes the terminal temperature rise)
 Recommended Process:
 IR soldering, Peak Temperature: 260±5°C, 5S

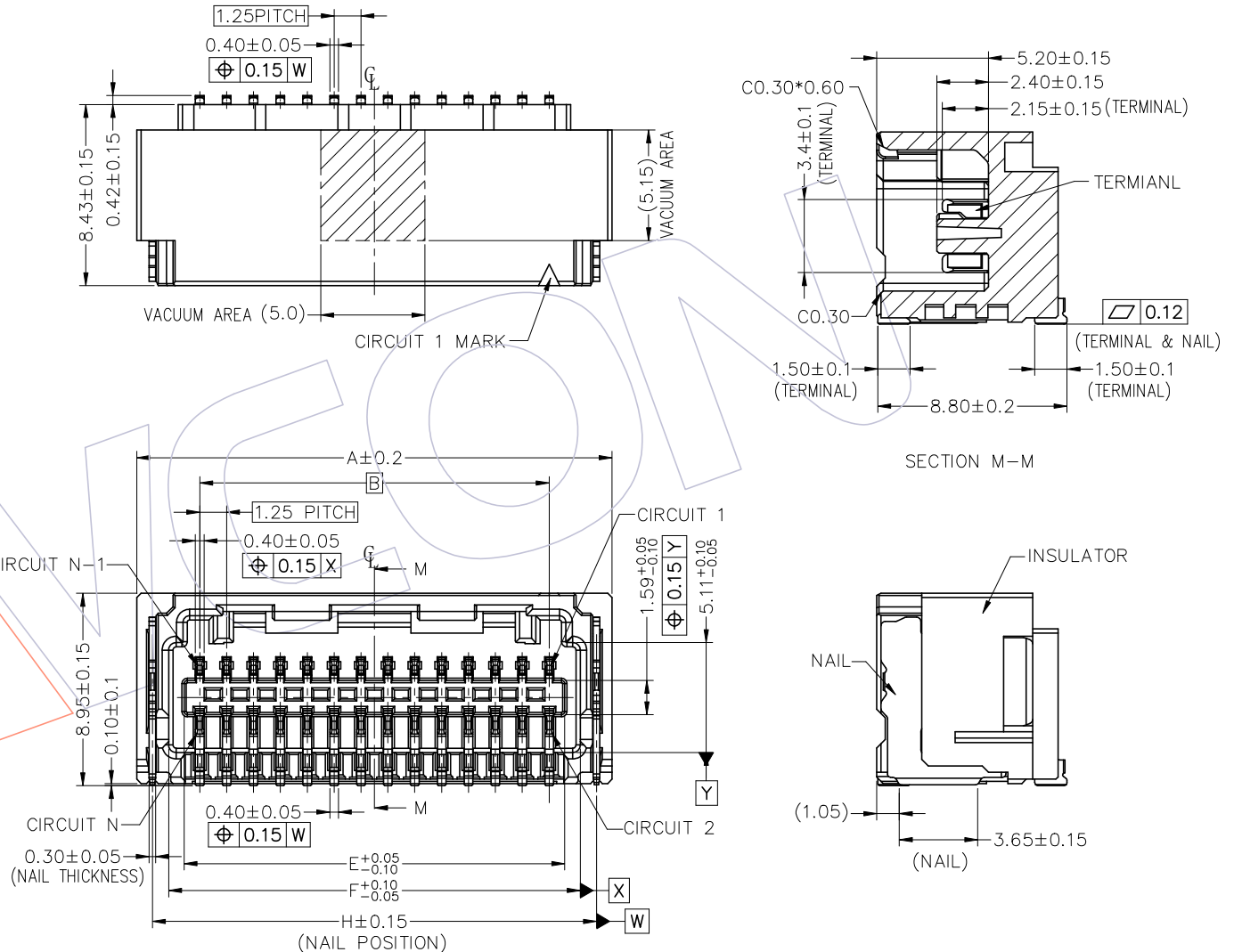
Terminal Material: Copper alloy
 Terminal Plating: 100u" Matte Tin 50u" Over Nickel
 Nail material: Copper alloy
 Nail Plating: 100u" Matte Tin Over 50u" Nickel
 Insulator Material: PA9T, G.F, UL94 V-0, BK

Ordering Information

WF1258- 2 WZ H XX B R 1
 2=DUAL ROW
 WZ=90° SMT WAFER
 H=HIGH TEMPERATURE PLASTIC
 NO. OF CIRCUITS PER ROW
 04=4 CIRCUITS
 COLOR:
 B=BLACK
 PACKING:
 R=TAPE & REEL

TABLE 1:
 CURRENT DERATING AT 23°C
 (MATED WITH WF1258 HOUSING(Dual Row)& HOUSING TERMINAL FOR TEST)

AWG#	Amps(A) Max				
	2X4 CIRCUITS	2X8 CIRCUITS	2X12 CIRCUITS	2X16 CIRCUITS	2X21 CIRCUITS
26	2.4	1.8	1.7	1.6	1.5
28	2.1	1.6	1.5	1.4	1.3
30	1.8	1.4	1.3	1.2	1.1



OPERATION		DRAW	DATE	SCALE	FIT	PART NO.
X.X	±0.40					
X.XX	±0.25	CHECK	DATE	SIZE	A4	TITLE: 1.25mm Wafer, M Type, R/A& SMT
X.XXX	±0.15	APPROVE	DATE	SHEET	1/3	Customer NO.
Angle	± 3'			PROJ.	⌀	
DIM	TOL					

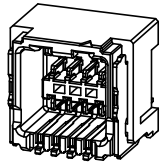
WCON
 Http: www.wcon.com

WCON-Dongguan Tel: +86 769 85358920
 WCON-Kunshan Tel: +86 512 57468408
 Fax: +86 769 85358915
 Fax: +86 512 57468468
 E-mail: sales@wcon.com
 E-mail: salesks@wcon.com

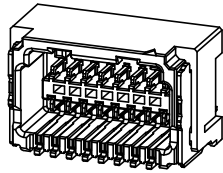
REV	DATE	MODIFICATION DESCRIPTION	CHANGE
A0	2022/05/18	NEW	

HSF

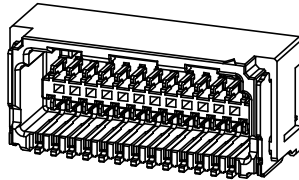
PRODUCT SHAPE



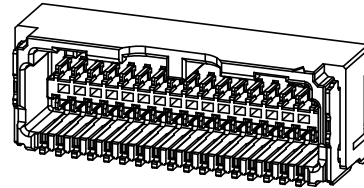
2x(4~7) CIRCUIT



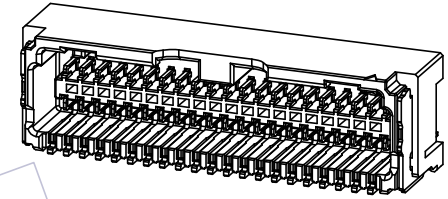
2x(8~12) CIRCUIT



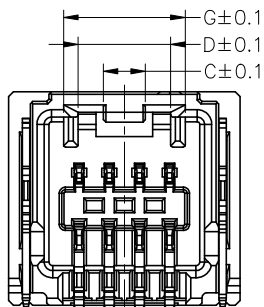
2x(13~16) CIRCUIT



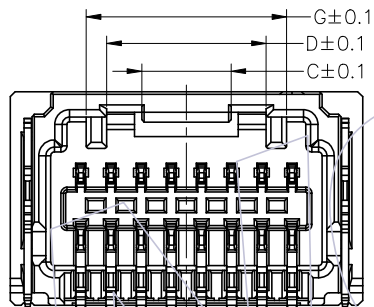
2x(17~20) CIRCUIT



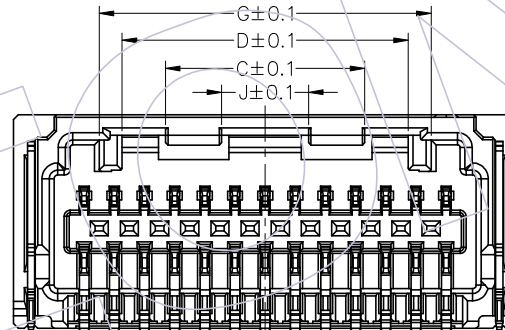
2x21 CIRCUIT



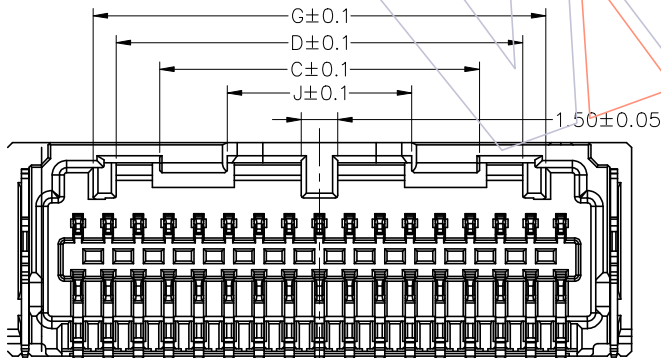
2x(4~7) CIRCUIT



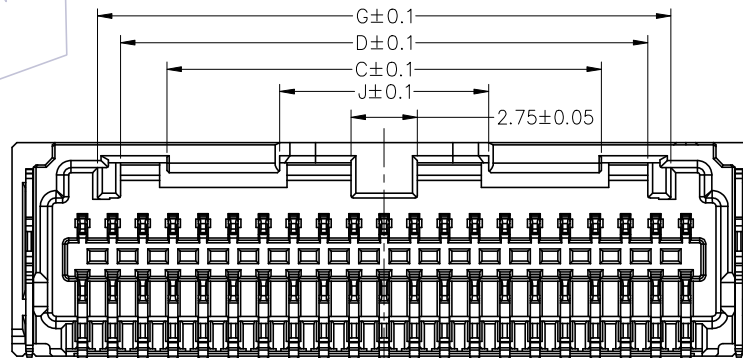
2x(8~12) CIRCUIT



2x(13~16) CIRCUIT



2x(17~20) CIRCUIT



2x21 CIRCUIT

CIRCUIT	A	B	C	D	E	F	G	H	J
2x4	9.60	3.75	1.74	3.84	5.20	6.64	5.04	8.15	/
2x5	10.85	5.00	2.99	5.09	6.45	7.89	6.29	9.40	/
2x6	12.10	6.25	4.24	6.34	7.70	9.14	7.54	10.65	/
2x7	13.35	7.50	4.85	7.59	8.95	10.39	8.79	11.90	/
2x8	14.60	8.75	3.70	6.60	10.20	11.64	8.30	13.15	/
2x9	15.85	10.00	4.25	7.85	11.45	12.89	9.55	14.40	/
2x10	17.10	11.25	4.50	9.10	12.70	14.14	10.80	15.65	/
2x11	18.35	12.50	5.75	10.35	13.95	15.39	12.05	16.90	/
2x12	19.60	13.75	7.00	11.60	15.20	16.64	13.30	18.15	/
2x13	20.85	15.00	8.25	11.85	16.45	17.89	13.75	19.40	3.60
2x14	22.10	16.25	9.50	13.10	17.70	19.14	15.00	20.65	/
2x15	23.35	17.50	10.75	14.35	18.95	20.39	16.25	21.90	4.00
2x16	24.60	18.75	12.00	15.60	20.20	21.64	17.50	23.15	/
2x17	25.85	20.00	13.25	16.85	21.45	22.89	18.75	24.40	/
2x18	27.10	21.25	14.50	18.10	22.70	24.14	20.00	25.65	7.65
2x19	28.35	22.50	15.75	19.35	23.95	25.39	21.25	26.90	/
2x20	29.60	23.75	17.00	20.60	25.20	26.64	22.50	28.15	/
2x21	30.85	25.00	18.00	21.85	26.45	27.89	23.75	29.40	8.65

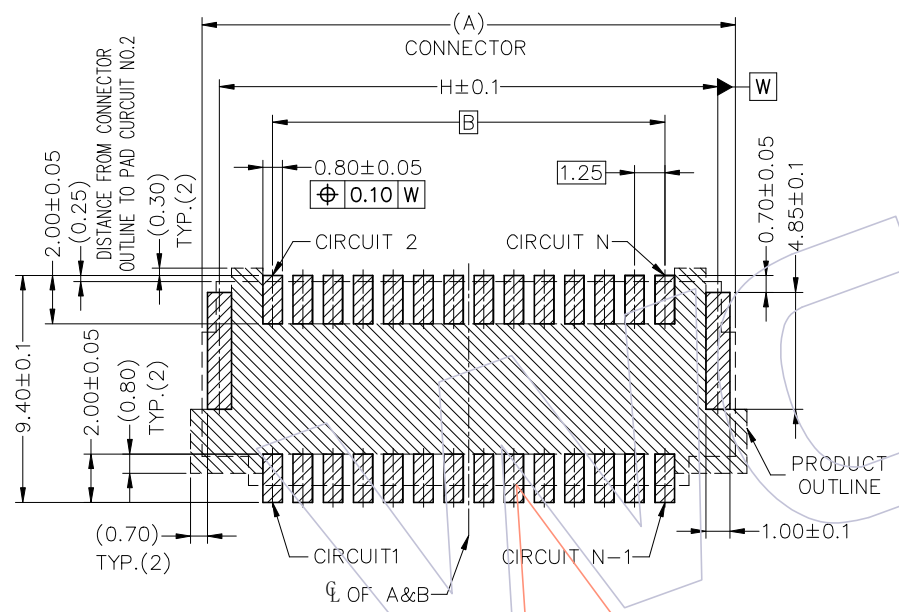
				OPERATION	DRAW	DATE	SCALE	FIT	PART NO.
				X.X ±0.40	XueLei	2022/05/18	UNIT	mm	WF1258-2WZHXXBR1
				X.XX ±0.25	CHECK	DATE	SIZE	A4	TITLE:
A0	2022/05/18	NEW		X.XXX ±0.15	APPROVE	DATE	SHEET	2/3	1.25mm Wafer, M Type, R/A& SMT
REV	DATE	MODIFICATION DESCRIPTION	CHANGE	Angle ± 3'			PROJ.	Customer NO.	
				DIM TOL					



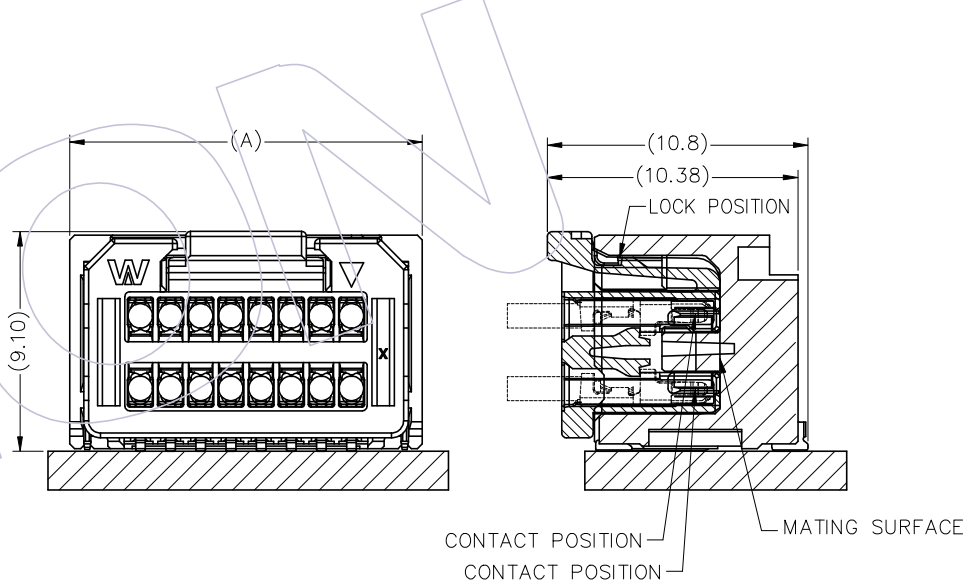
Http: www.wcon.com

WCON-Dongguan Tel: +86 769 85358920 Fax: +86 769 85358915 E-mail: sales@wcon.com	WCON-Kunshan Tel: +86 512 57468408 Fax: +86 512 57468468 E-mail: salesks@wcon.com
---	--

HSF



MATED CONNECTORS



▨ RECOMMEND P.C.B LAYOUT (COMPONENT SIDE)
 (REFERENCE THICKNESS 1.6mm STENCIL THICKNESS 0.15mm, APERTURE RATION 100%)
 ▨ PATTERN IS NOT RECOMMENDED ON THE HATCHING AREA
 PLEASE CHECK NOT TO HAVE PROBLEM FOR PRODUCT FUNCTION
 WHEN SETTING PATTERN ON THE HATCHING AREA

				OPERATION		DRAW XueLei	DATE	SCALE	FIT	PART NO. WF1258-2WZHXXBR1	 Http: www.wcon.com		
				x.x	±0.40		2022/05/18	UNIT	mm			TITLE:	WCON-Dongguan
				x.xx	±0.25	CHECK	DATE	SIZE	A4	1.25mm Wafer, M Type, R/A& SMT		Tel: +86 769 85358920	Tel: +86 512 57468408
A0	2022/05/18	NEW		x.xxx	±0.15	APPROVE	DATE	SHEET	3/3	Customer NO.	Fax: +86 769 85358915	Fax: +86 512 57468468	
REV	DATE	MODIFICATION DESCRIPTION	CHANGE	Angle	± 3'			DIM	TOL		PROJ.	⌀ ↖	E-mail: sales@wcon.com