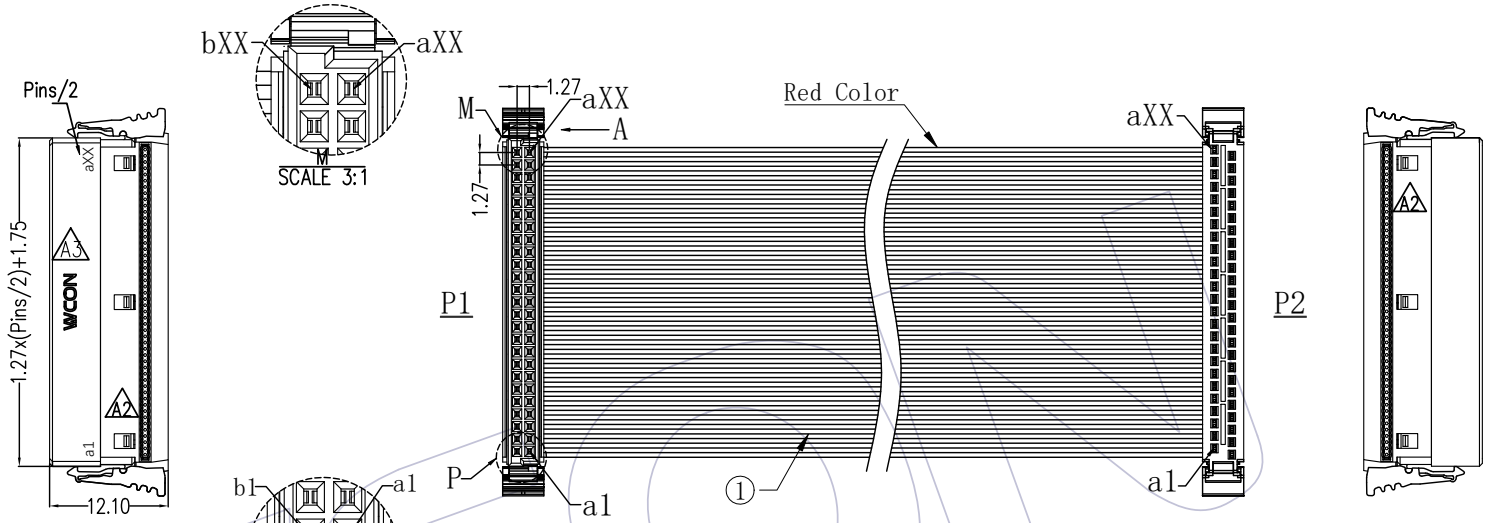


1 2 3 4 5 6 7 8 9 10

A IDC HOUSING MATERIAL
 Insulation Material: HIGH TEMPERATURE
 THERMOPLASTIC(UL94V-0)
 Contact Material: COPPER ALLOY
 Contact plating: Au or Sn Over Ni

B SPECIFICATIONS
 Insulation Resistance: 5MΩ Min
 Contact Resistance: 1.0Ω Max, 10S
 Withstand Voltage: AC 300V
 The Cable Assembly Must 100% Test

C CABLE MATERIAL
 Conductor: 30AWG(7/0.1mm)



Ordering Information

F3911B - XX XX A B XXX 00X W

No. OF Pins
 12p 40p
 16p 50p
 20p 68p
 26p 80p
 32p

Contact Plating
 S3=Sel.10U" Gold /Tin
 S4=Sel.15U" Gold /Tin
 S5=Sel.30U" Gold /Tin

Conn. Color
 B=Black

Length of Line

Blank=W/O WCON
 W=W/T WCON

WIRE TYPE	PRAT NO.
F1U-A30GXXD0-XXXX-1	F3911B-XXXXABXXX003(W)
F1U-A30XXXD0-XXXX-1T	F3911B-XXXXABXXX004(W)

NO.	PART NO.	NAME	TITLE	Q'TY	UNIT
②	3911-0XXUXXW1	CONN.	1.27Pitch SDC IDC XXP HIGH TEMPERATURE THERMOPLASTIC BLACK	2	PCS
①	F1U-A30GXXD0-XXXX-1	WIRE	UL2678 PH0.635mm XXP 30AWG(7/0.1), PVC Grey Red Side	XXX	MM
	F1U-A30XXXD0-XXXX-1T	WIRE	PH0.635mm XXP 30AWG(7/0.1), TPE Grey, Red Side	XXX	MM

CONNECT METHOD

P1 Red P2

aXX ——— aXX
 bXX ——— bXX
 aXX ——— aXX
 bXX ——— bXX

a1 ——— a1
 b1 ——— b1

L	TOLERANCE
≤300	±5
>300	±10

REV	DATE	MODIFICATION DESCRIPTION	CHANGE	OPERATION	SCALE	FIT	PART NO.
A3	2020/11/12	Add W/T WCON LOGO SPEC&P/N	XSR	OPERATION	SCALE	FIT	F3911B-XXXXABXXX00X(W)
A2	2020/09/09	MODIFY	XSR	x.X ±0.40	UNIT	mm	
A1	2019/12/05	MODIFY	XSR	x.XX ±0.25	SIZE	A4	
A0	2018/10/10	NEW	Ding	x.XXX ±0.15	SHEET	1/1	
REV	DATE	MODIFICATION DESCRIPTION	CHANGE	Angle ± 3°	PROJ.		Customer NO.

WCON
 Http: www.wcon.com

WCON-Dongguan Tel: +86 769 85358920 Fax: +86 769 85358915 E-mail: sales@wcon.com

WCON-Kunshan Tel: +86 512 57468408 Fax: +86 512 57468468 E-mail: salesks@wcon.com