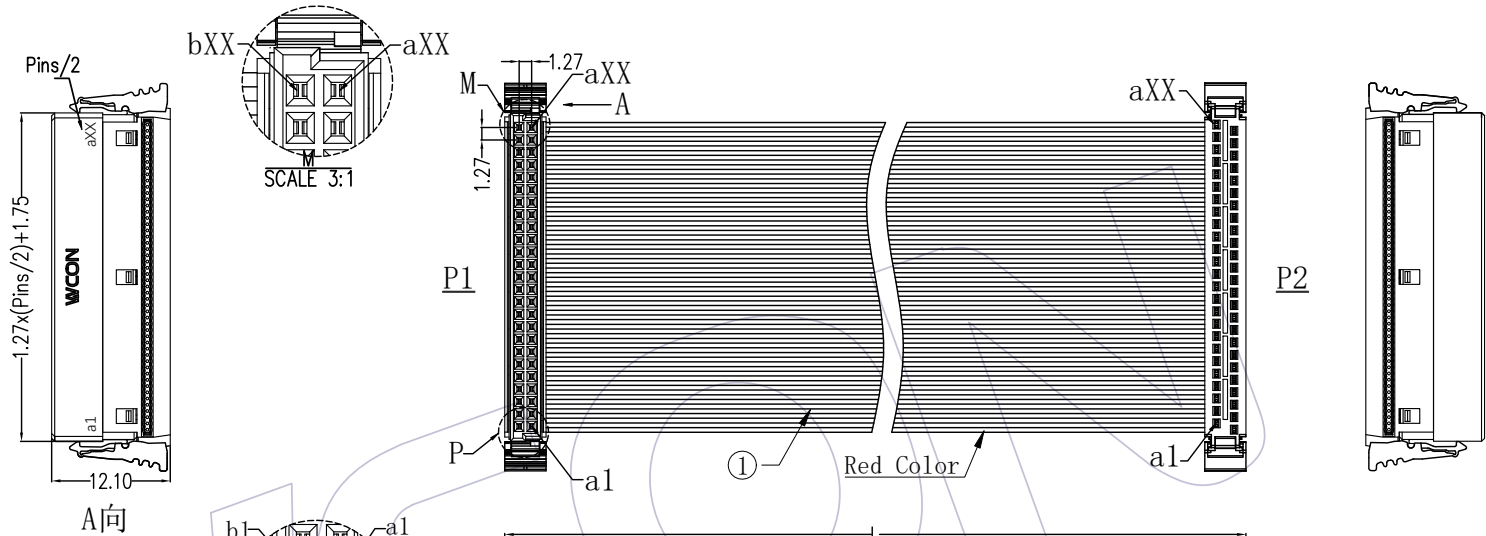


**IDC HOUSING MATERIAL**  
 Insulation Material: HIGH TEMPERATURE  
 THERMOPLASTIC(UL94V-0)  
 Contact Material: COPPER ALLOY  
 Contact plating: Au or Sn Over Ni  
**SPECIFICATIONS**  
 Insulation Resistance: 5MΩ Min  
 Contact Resistance: 1.0Ω Max, 10S  
 Withstand Voltage: AC 300V  
 The Cable Assembly Must 100% Test  
**CABLE MATERIAL**  
 Conductor: 30AWG(7/0.1mm)



### Ordering Information

**F3911B - XX XX A B XXX 00X W**  
 No. OF Pins: 12p 40p, 16p 50p, 20p 68p, 26p 80p, 32p  
 Contact Plating: S3=Sel.10U" Gold /Tin, S4=Sel.15U" Gold /Tin, S5=Sel.30U" Gold /Tin  
 Conn. Color: B=Black  
 Length of Line: XXX  
 Blank=W/O WCON, W=W/T WCON

#### CONNECT METHOD

P1 ——— Red ——— P2  
 b1 ——— b1  
 a1 ——— a1  
 b2 ——— b2  
 a2 ——— a2  
 .....  
 bXX ——— bXX  
 aXX ——— aXX

L	TOLERANCE
≤300	±5
>300	±10

WIRE TYPE	PRAT NO.
F1U-A30GXXD0-XXXX-1	F3911B-XXXXABXXX005(W)
F1U-A30XXXD0-XXXX-1T	F3911B-XXXXABXXX006(W)

NO.	PART NO.	NAME	TITLE	Q'TY	UNIT
②	3911-0XXUXXW1	CONN.	1.27Pitch SDC IDC XXP HIGH TEMPERATURE THERMOPLASTIC BLACK	2	PCS
①	F1U-A30GXXD0-XXXX-1	WIRE	UL2678 PH0.635mm XXP 30AWG(7/0.1), PVC Grey Red Side	XXX	MM
	F1U-A30XXXD0-XXXX-1T	WIRE	PH0.635mm XXP 30AWG(7/0.1), TPE Grey, Red Side	XXX	MM

REV	DATE	MODIFICATION DESCRIPTION	CHANGE	OPERATION		DRAW XSR	DATE 2020/12/03	SCALE	FIT	PART NO. F3911B-XXXXABXXX00X(W)	TITLE: 1.27mm SDC IDC/1.27mm SDC IDC Reverse Derection	WCON	
				X.X	±0.40							WCON-Kunshan	WCON-Dongguan
A0	2020/12/03	NEW	Ding	X.XX	±0.25	CHECK	DATE	UNIT mm inch	A4	Customer NO.	WCON-Kunshan Tel: +86 769 85358920 Fax: +86 512 57468408 E-mail: salesks@wcon.com	WCON-Dongguan Tel: +86 769 85358915 Fax: +86 512 57468468 E-mail: sales@wcon.com	
				X.XXX	±0.15	APPROVE	DATE	SHEET 1/1					
				Angle	± 3°			PROJ.					
				DIM	TOL								