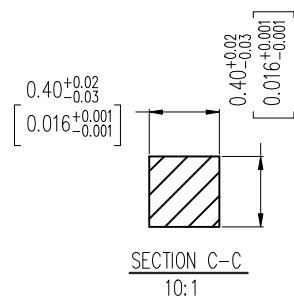
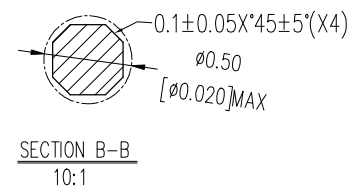
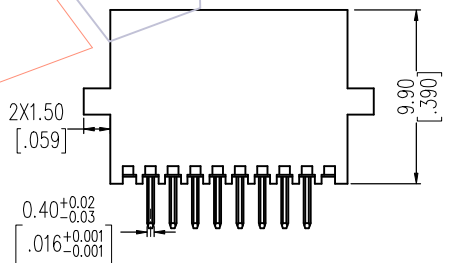
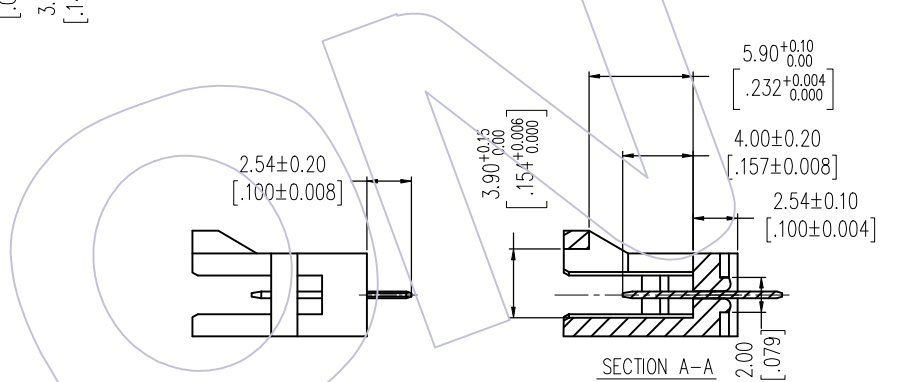
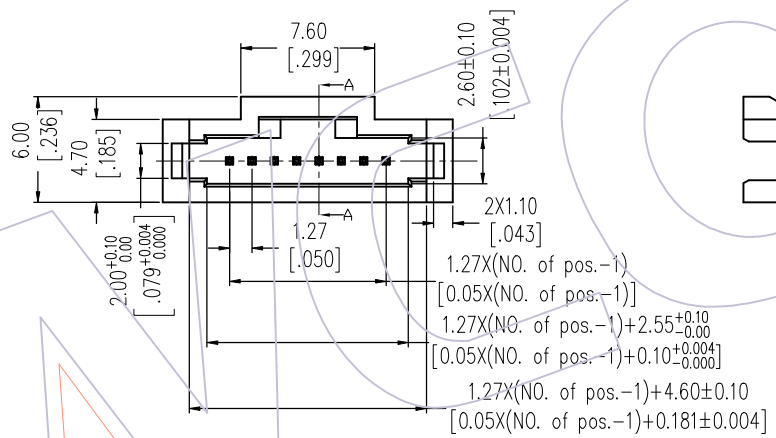
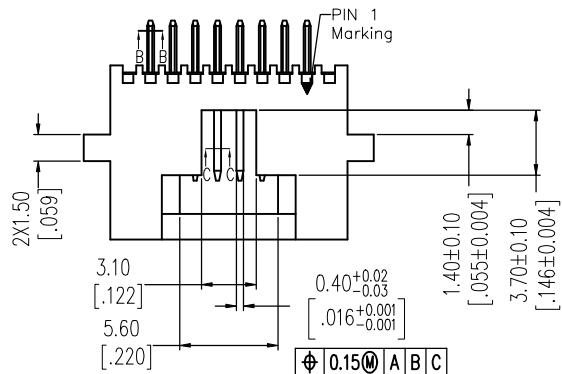


HSF

NOTES:
 Current Rating: 1AMP
 Contact Resistance: 30mΩ max
 Withstand Voltage: 250V AC/DC
 Insulation Resistance: 1000MΩ min
 Operation Temperature: -40°C to +105°C

Contact Material: Phosphor Bronze (C5191-H)
 Contact plating: Au Or Sn Over Ni
 Insulator Material: PA9T+30%GF (UL94V-0)

Recommended P.C.B Layout (Top Side)
 (PCB BOARD TOLERANCE ±0.05)



Ordering Information

WF1271- 1 WS H XX S0 B T 0

No. of Pins
4-50 PIN

Contact Plating
S0=Gold Flash/Tin

Packing:
T=Tube

				OPERATION	DRAW	DATE	SCALE	FIT	PART NO.	 Http: www.wcon.com WCON-Dongguan Tel: +86 769 85358920 Fax: +86 769 85358915 E-mail: sales@wcon.com WCON-Kunshan Tel: +86 512 57468408 Fax: +86 512 57468468 E-mail: salesks@wcon.com
				X.X ±0.40	JYHuang	2016/07/14	UNIT	mm	WF1271-1WSHXXSOBTO TITLE: 1.27 Wafer Conn 180°DIP With Ear	
				X.XX ±0.25	CHECK	DATE	SIZE	A4		
AO	2016/07/14	NEW		X.XXX ±0.15	APPROVE	DATE	SHEET	1/1	Customer NO.	
REV	DATE	MODIFICATION DESCRIPTION	CHANGE	Angle ± 3°			PROJ.			
				DIM TOL						