

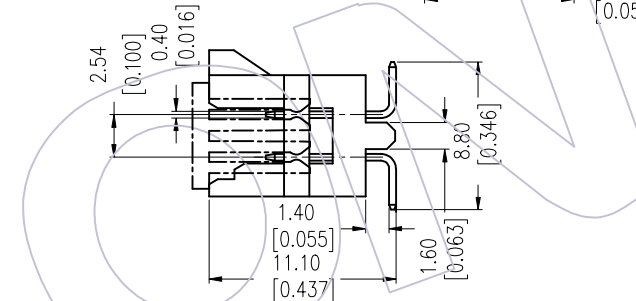
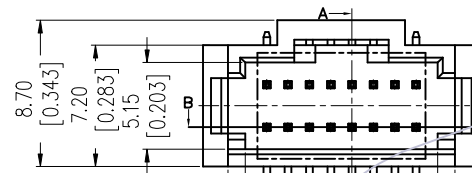
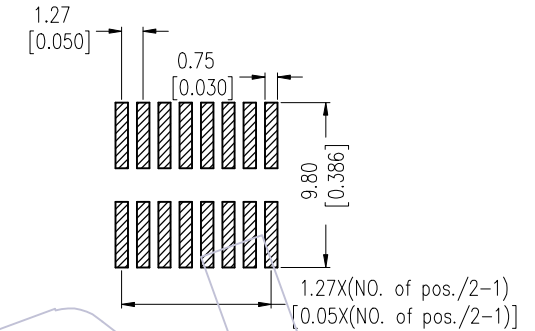
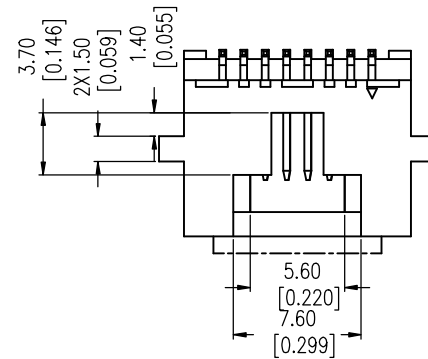
# HSF

**NOTES:**

Current Rating: 1.0AMP  
 Contact Resistance: 20mΩ Max  
 Withstand Voltage: 500V AC/DC  
 Insulation Resistance: 1000MΩ Min  
 Operation Temperature: -40°C to +105°C

Contact Material: Brass  
 Contact plating: Au Or Sn over Ni  
 Insulator Material: PA9T+33G.F UL94V-0

Recommended P.C.B Layout(Top Side)  
 (PCB BOARD TOLERANCE±0.05)

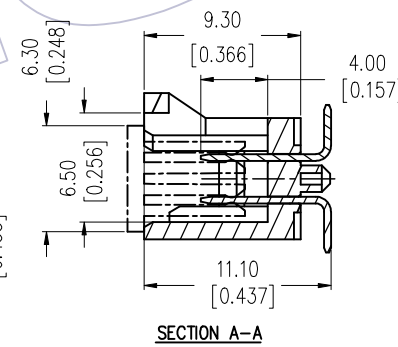
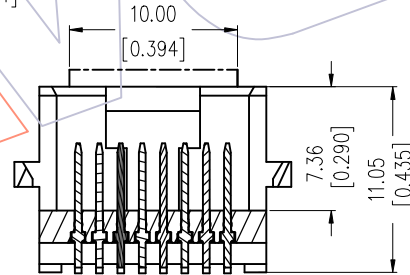


## Ordering Information

WF1271 - 2WM **XX** **B** **XX**

No. of pins Per Row 04-50P  
 Contact Plating S0=Gold Flash/Tin, S3=10u"Gold/Tin, S4=15u"Gold/Tin, S5=30u"Gold/Tin, G0=Gold Flash, G3=10u"Gold, G4=15u"Gold, G5=30u"Gold, Blank=Tin  
 Color B=Black  
 Packing T=Tube, R=Tape&Reel, P=Tube+Cap

1.27X(NO. of pos./2-1) [0.05X(NO. of pos./2-1)]  
 1.27X(NO. of pos./2-1)+2.55  
 0.05X(NO. of pos./2-1)+0.10  
 1.27X(NO. of pos./2-1)+4.60 [0.05X(NO. of pos./2-1)+0.181]



SECTION B-B

SECTION A-A

Item	Pitch	Mating
Standard	1.27X2.54	5243
Alternate		

REV	DATE	MODIFICATION DESCRIPTION	CHANGE	OPERATION	DRAW	DATE	SCALE	FIT	PART NO.
AO	2012/09/21	NEW	-----	X.X ±0.40	JYHuang	2012/009/21	UNIT mm		WF1271-2WMHXXXBXX
				X.XX ±0.25	CHECK	DATE	SIZE A4		TITLE:
				X.XXX ±0.15	APPROVE	DATE	SHEET 1/1		1.27X2.54 WAFER DUAL ROW SMT, H=9.0
				Angle ± 3°			PROJ.		Customer NO.
				DIM TOL					

# WCON

Http: www.wcon.com

WCON-Dongguan Tel: +86 769 85358920 Fax: +86 769 85358915 E-mail: sales@wcon.com  
 WCON-Kunshan Tel: +86 512 57468408 Fax: +86 512 57468468 E-mail: salesks@wcon.com