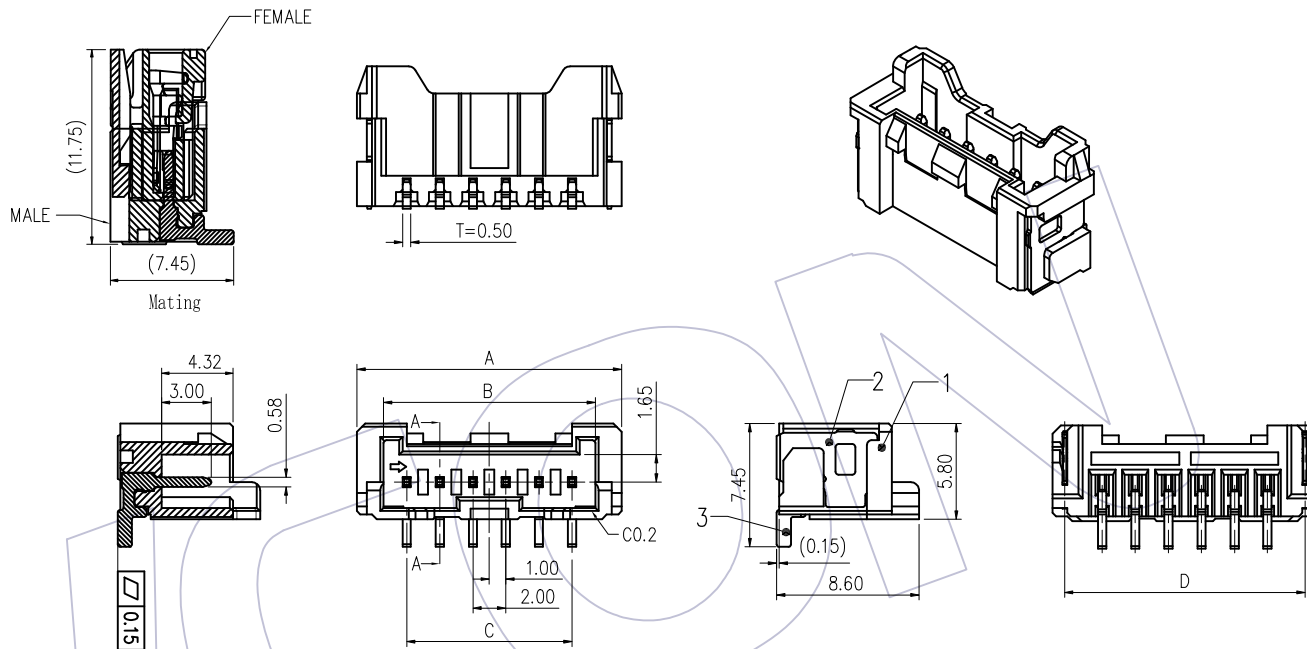


HSF

NOTES:
 Rated Current: 2P 4.7A, 3~8P 3.5A,
 9~16P 3.4A at 25±5°C;
 Rated Voltage: 250V
 Contact Resistance: Initial: 10mΩ Max.
 Final: 20mΩ Max;
 Withstand Voltage: 500V
 Insulation Resistance: 1000MΩ Min.
 Operation Temperature: -40°C to +125°C
 Contact Material: Brass
 Contact Plating: 80u" Bright Tin over 40u" nickel
 Latch Material: Brass
 Latch Plating: 80u" Bright Tin over 40u" nickel
 Housing Material: PA9T, G.F., UL94V-0, Colour (See PN)

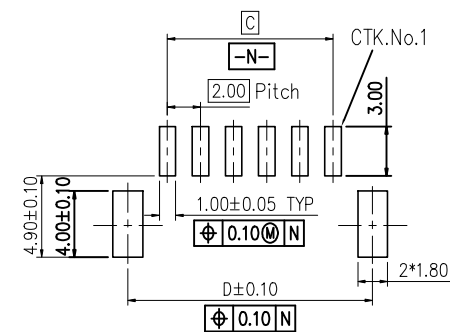


Ordering Information

WF2010 - 1 WM H XX X X 1 W

Row
1=Single
Type
WM=180° SMT
HSG material characteristics
H=High temperature resistance
NO. of PIN
02=2 Pin
.....
16=16 Pin
W=WCON logo,
Blank=No logo
wcon internal code
Packing
T=Tube (Without Cap)
R=Tape & Reel
(With Cap)
HSG Colour
R=Red
B=Black
T=Natural
U=Blue

3	Contact	Brass	Whole Pin
2	Latch	Brass	2
1	Body	PA9T	1
NO.	Part Name	Material	Q'TY



Recommended P.C.B Layout (Top Side)
 (PCB BOARD TOLERANCE ±0.05)

OPERATION	DRAW	DATE	SCALE	PART NO.
x.x ±0.40	Milo	2022/08/16	1:1	WF2010-1WMHXXR01(W)
x.xx ±0.25	CHECK	DATE	UNIT	TITLE:
x.xxx ±0.15	APPROVE	DATE	mm	2.0mm WAFER SINGLE SMT
Angle ± 3°			SIZE	CONNECTOR
DIM TOL			A4	Customer NO.
			SHEET	
			1/2	
			PROJ.	
			⊕	

WCON

Http: www.wcon.com

WCON-Dongguan Tel: +86 769 85358920 Fax: +86 769 85358915 E-mail: sales@wcon.com	WCON-Kunshan Tel: +86 512 57468408 Fax: +86 512 57468468 E-mail: sales@wcon.com
---	--

0	2022/08/16	NEW	Milo
REV	DATE	MODIFICATION DESCRIPTION	CHANGE