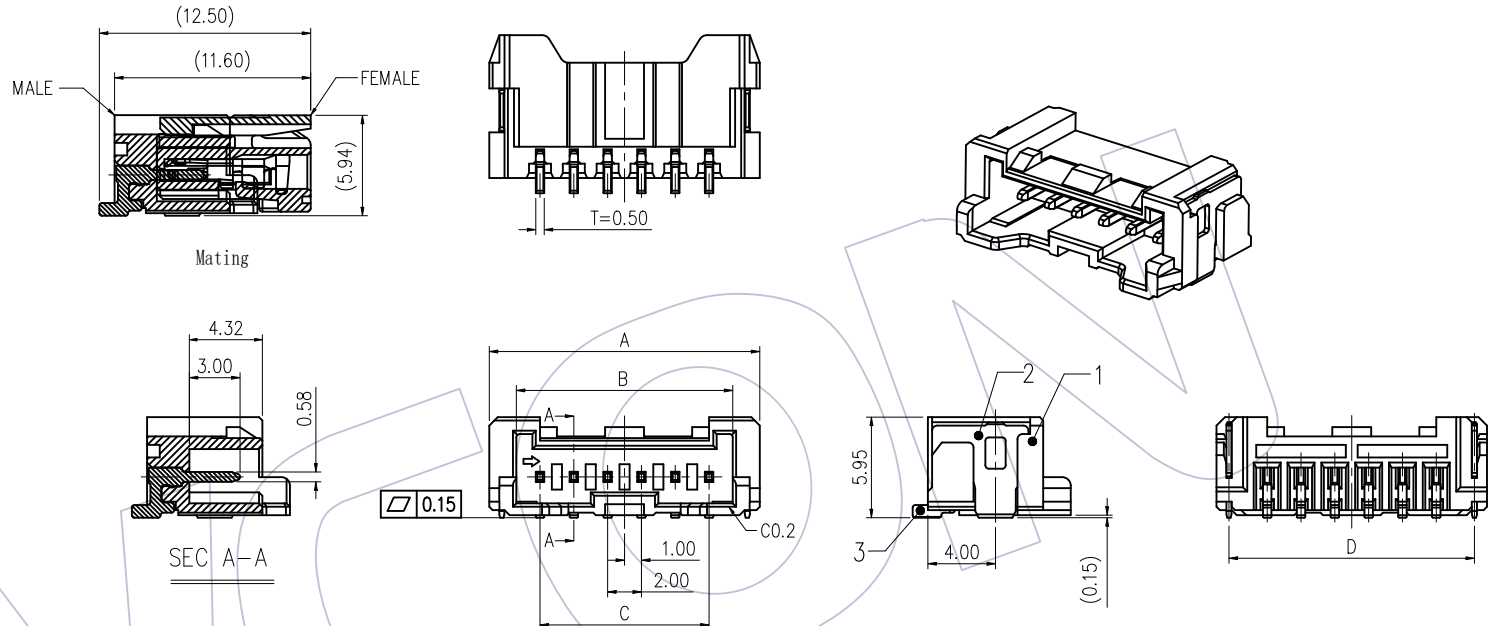


HSF

NOTES:
 Rated Current: 2P 4.7A, 3~8P 3.5A,
 9~16P 3.4A at 25±5°C;
 Rated Voltage: 250V
 Contact Resistance: Initial: 10mΩ Max.
 Final: 20mΩ Max;
 Withstand Voltage: 500V
 Insulation Resistance: 1000MΩ Min.
 Operation Temperature: -40°C to +125°C

Contact Material: Brass
 Contact Plating: 80u" Bright Tin over 40u" nickel
 Latch Material: Brass
 Latch Plating: 80u" Bright Tin over 40u" nickel
 Housing Material: PA9T, G.F, UL94V-0, Colour (See PN)



Ordering Information

WF2010 - 1 WZ H XX X X 1 W

Row
 1=Single
 Type
 WZ=90° SMT

W=WCON logo,
 Blank=No logo
 wcon internal code

HSG material characteristics
 H=High temperature resistance

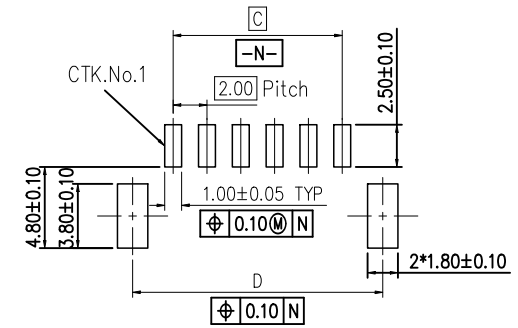
NO. of PIN
 02=2 Pin

 16=16 Pin

Packing
 T=Tube (Without Cap)
 R=Tape & Reel
 (With Cap)

HSG Colour
 R=Red
 B=Black
 T=Natural
 U=Blue

3	Contact	Brass	Whole Pin
2	Latch	Brass	2
1	Body	PA9T	1
NO.	Part Name	Material	Q'TY



Recommended P.C.B Layout (Top Side)
 (PCB BOARD TOLERANCE ±0.05)

				OPERATION	DRAW	DATE	SCALE	1:1	PART NO.
				x.x ±0.40	Milo	2022/08/16	UNIT	mm	WF2010-1WZHXXR01(W)
				x.xx ±0.25	CHECK	DATE	SIZE	A4	TITLE:
0	2022/08/16	NEW	Milo	x.xxx ±0.15	APPROVE	DATE	SHEET	1/2	2.0mm WAFER SINGLE SMT CONNECTOR
REV	DATE	MODIFICATION DESCRIPTION	CHANGE	Angle ± 3°			PROJ.	Customer NO.	
				DIM TOL					

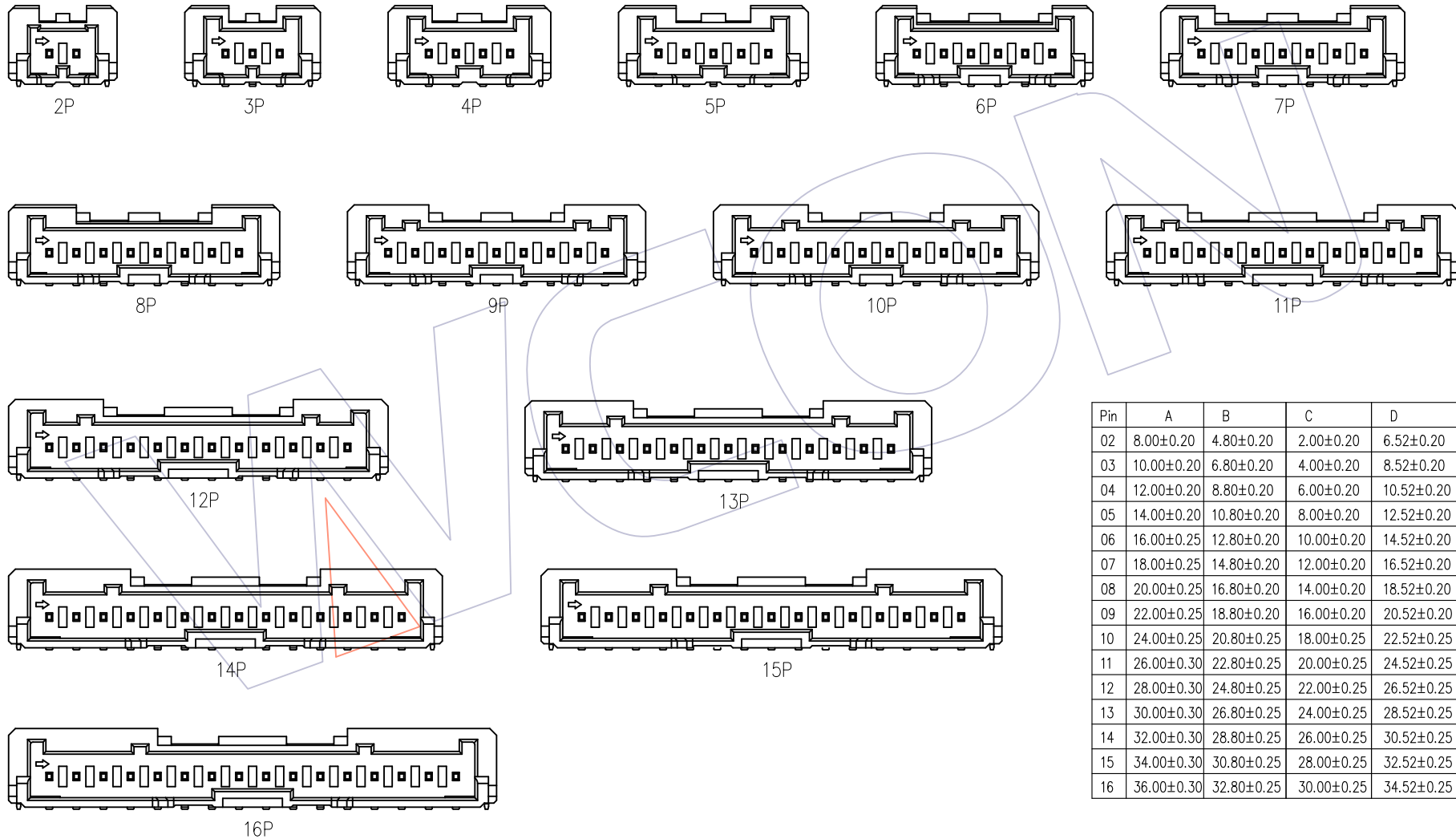
WCON

Http: www.wcon.com

WCON-Dongguan
 Tel: +86 769 85358920
 Fax: +86 769 85358915
 E-mail: sales@wcon.com

WCON-Kunshan
 Tel: +86 512 57468408
 Fax: +86 512 57468468
 E-mail: salesks@wcon.com

HSF



Pin	A	B	C	D
02	8.00±0.20	4.80±0.20	2.00±0.20	6.52±0.20
03	10.00±0.20	6.80±0.20	4.00±0.20	8.52±0.20
04	12.00±0.20	8.80±0.20	6.00±0.20	10.52±0.20
05	14.00±0.20	10.80±0.20	8.00±0.20	12.52±0.20
06	16.00±0.25	12.80±0.20	10.00±0.20	14.52±0.20
07	18.00±0.25	14.80±0.20	12.00±0.20	16.52±0.20
08	20.00±0.25	16.80±0.20	14.00±0.20	18.52±0.20
09	22.00±0.25	18.80±0.20	16.00±0.20	20.52±0.20
10	24.00±0.25	20.80±0.25	18.00±0.25	22.52±0.25
11	26.00±0.30	22.80±0.25	20.00±0.25	24.52±0.25
12	28.00±0.30	24.80±0.25	22.00±0.25	26.52±0.25
13	30.00±0.30	26.80±0.25	24.00±0.25	28.52±0.25
14	32.00±0.30	28.80±0.25	26.00±0.25	30.52±0.25
15	34.00±0.30	30.80±0.25	28.00±0.25	32.52±0.25
16	36.00±0.30	32.80±0.25	30.00±0.25	34.52±0.25

REV	DATE	MODIFICATION DESCRIPTION	CHANGE	OPERATION	DRAW	DATE	SCALE	1:1	PART NO.
0	2022/08/16	NEW	Miol	x.X ±0.40	Milo	2022/08/16	UNIT	mm	WF2010-1WZHXXR01(W)
				x.XX ±0.25	CHECK	DATE	SIZE	A4	TITLE:
				x.XXX ±0.15	APPROVE	DATE	SHEET	2/2	2.0mm WAFER SINGLE SMT CONNECTOR
				Angle ± 3°			PROJ.	⊕	Customer NO.
				DIM	TOL				

WCON

Http: www.wcon.com

WCON-Dongguan	WCON-Kunshan
Tel: +86 769 85358920	Tel: +86 512 57468408
Fax: +86 769 85358915	Fax: +86 512 57468468
E-mail: sales@wcon.com	E-mail: salesks@wcon.com