

HSF

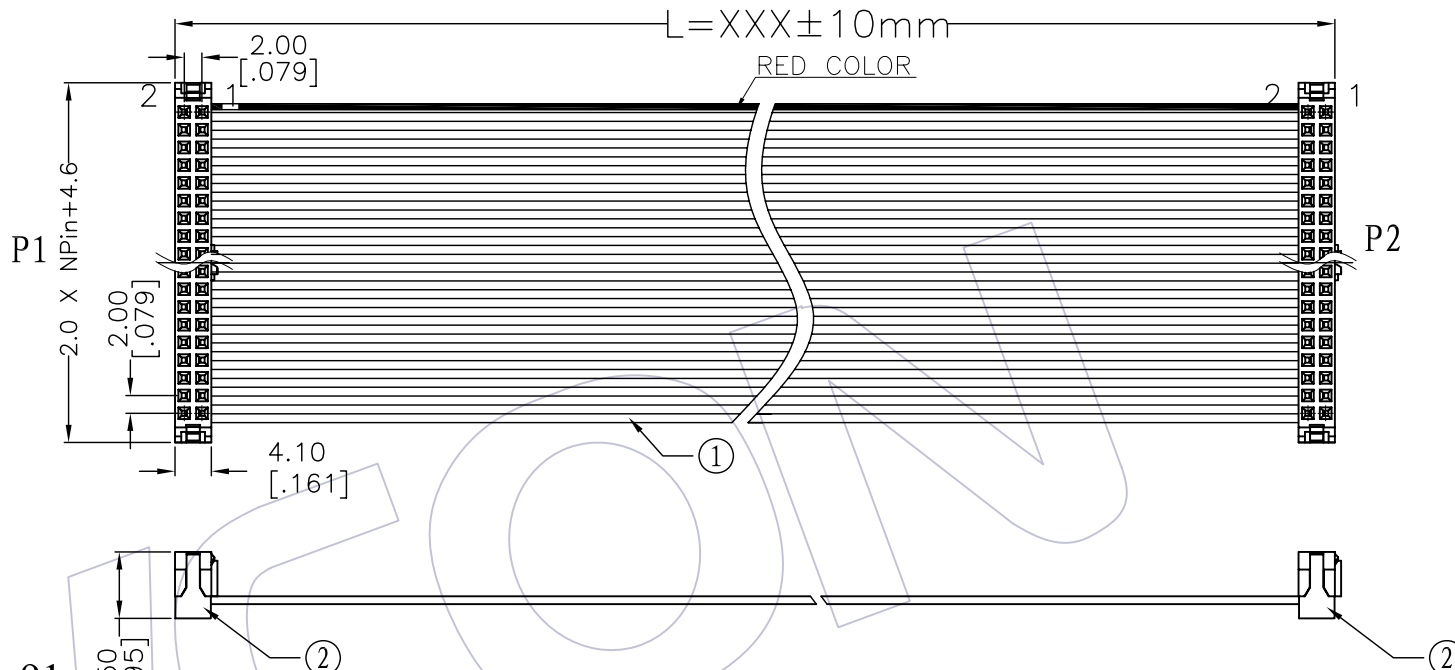
IDC HOUSING MATERIAL
 Insulation Material:PBT+30%GF(UL94V-0)
 Contact Material:Phosphor Bronze
 Contact plating:Au or Sn Over Ni

SPECIFICATIONS

Insulation Resistance:5MΩ Min
 Contact Resistance:1.0Ω Max
 Withstand Voltage:DC 300V, 10S
 The Cable Assembly Must 100% Test

CABLE MATERIAL

Insulation:UL 2651,Grey Red Side
 Conductor:28AWG(7/0.12mm)
 Electrical:300V



Ordering Information

FA22 - xx xx A A B xxx - 91

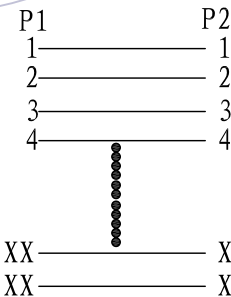
No.OF Pins: 04-64p
 Contact Plating:
 G0=Gold Flash
 G3=10u"Gold
 G4=15u"Gold
 G5=30u"Gold
 S0=Gold Flash/Ni
 S3=10u"Gold/Ni
 S4=15u"Gold/Ni
 S5=30u"Gold/Ni
 SN=Tin

Connector Color:
 B=Black

Connector Direction:
 A=same Direction

Length of Line(mm): 7.50 [.295]

CONNECT METHOD



| | | | | | |
|-----|---------------------|-------|--|------|------|
| ② | 5224-XXYPXXBW01 | CONN. | 2.00 IDC **P F TYPE PBT Black Phosphor Bronze Plating Xu" gold | 2 | SET |
| ① | F1U-B28GXXD0-XXXX-1 | WIRE | UL2651 PH1.0mm XXP 28AWG (7/0.12TC) PVC Grey Marking Red Side | XXXX | MM |
| NO. | PART NO. | NAME | TITLE | QT'Y | UNIT |

| | | | | | | | | | | | |
|-----|----------|--------------------------|--------|---------|-----------------------|---------|-----|----------|----------|-------------------------|---|
| | | | | | OPERATION | DRAW | BEN | 09/08/27 | SCALE | 1:1 | WCON 维峰五金电子有限公司 WAVE HARDWARE ELECTRONICS CO. LTD |
| | | | | | X.X ±0.40 | DESIGN | | | UNIT | mm | |
| | | | | | X.XX ±0.25 | CHECK | | | SIZE | A4 | |
| | | | | | X.XXX ±0.15 | APPROVE | | | SHEET | 1/1 | |
| | | | | | Angle ± 3' DIM TOL | | | | PROJ. | Customer NO. | |
| AO | 09/08/27 | NEW | | | | | | | PART NO. | FA22 - xxxxAABxxx-91 | |
| REV | DATE | MODIFICATION DESCRIPTION | CHANGE | APPROVE | | | | | TITLE: | 2.00 F TYPE IDC Drawing | |