

HSF

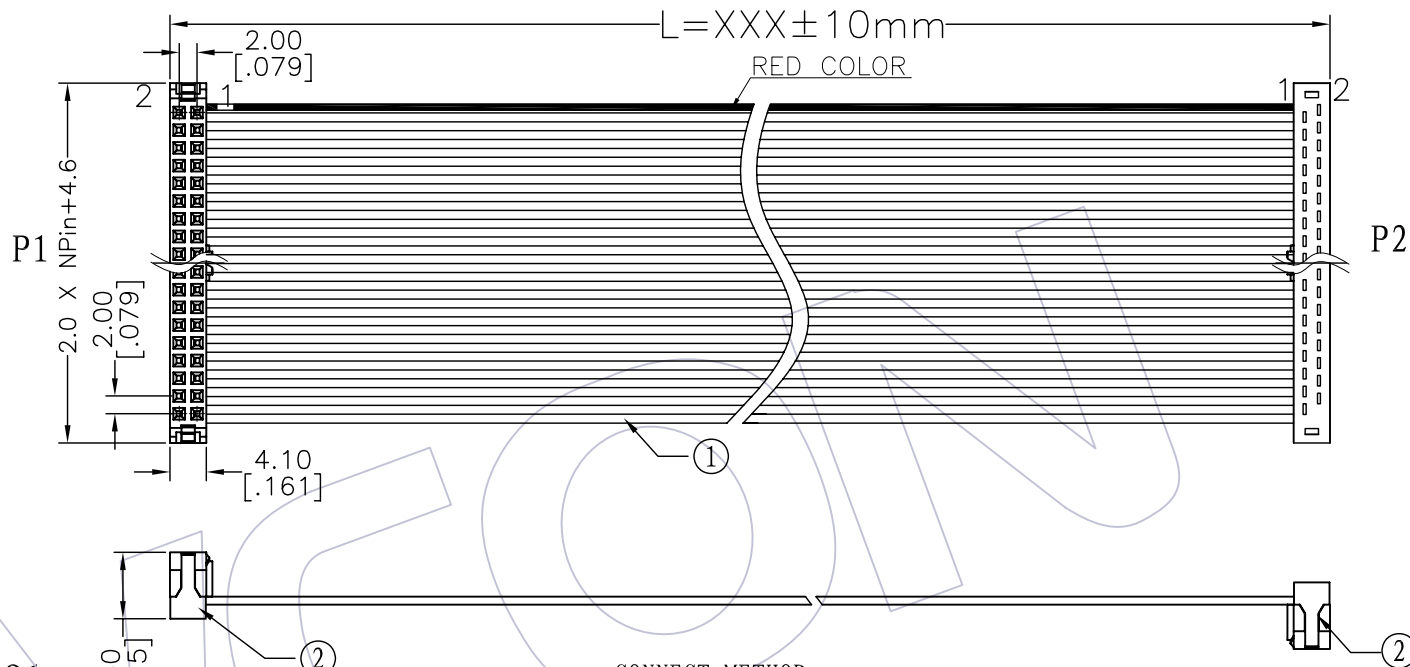
IDC HOUSING MATERIAL
 Insulation Material:PBT+30%GF(UL94V-0)
 Contact Material:Phosphor Bronze
 Contact plating:Au or Sn Over Ni

SPECIFICATIONS

Insulation Resistance:5MΩ Min
 Contact Resistance:1.0Ω Max
 Withstand Voltage:DC 300V, 10S
 The Cable Assembly Must 100% Test

CABLE MATERIAL

Insulation:UL 2651,Grey Red Side
 Conductor:28AWG(7/0.12mm)
 Electrical:300V



Ordering Information

FA22 - xx xx B A B xxx - 91

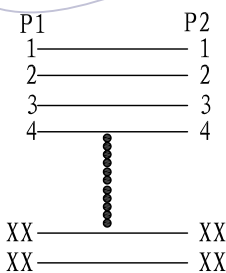
No.OF Pins: 04~64p
 Contact Plating:
 G0=Gold Flash
 G3=10u"Gold
 G4=15u"Gold
 G5=30u"Gold
 S0=Gold Flash/Ni
 S3=10u"Gold/Ni
 S4=15u"Gold/Ni
 S5=30u"Gold/Ni
 SN=Tin

Connector Color:
 B=Black

Connector Direction:
 B=Opposite Direction

Length of Line(mm)

CONNECT METHOD



②	5224-XXYPXXBW01	CONN.	2.00 IDC **P F TYPE PBT Black Phosphor Bronze Plating Xu" gold	2	SET
①	F1U-B28GXXD0-XXXX-1	WIRE	UL2651 PH1.0mm XXP 28AWG (7/0.12TC) PVC Grey Marking Red Side	XXXX	MM
NO.	PART NO.	NAME	TITLE	QT'Y	UNIT

					OPERATION	DRAW	BEN	09/08/26	SCALE	1:1	WCON 维峰五金电子有限公司 WAFE HARDWARE ELECTRONICS CO. LTD		
					X.X ±0.40	DESIGN			UNIT	mm			
					X.XX ±0.25	CHECK			SIZE	A4		PART NO.	FA22-xxxxBABxxx-91
					X.XXX ±0.15	APPROVE			SHEET	1/1		TITLE:	2.00 F TYPE IDC Drawing
AO	09/06/25		NEW		Angle ± 3'				PROJ.	⊕	Customer NO.		
REV	DATE	MODIFICATION	DESCRIPTION	CHANGE	APPROVE	DIM	TOL	APPROVE	PROJ.	⊕	Customer NO.		