

HSF

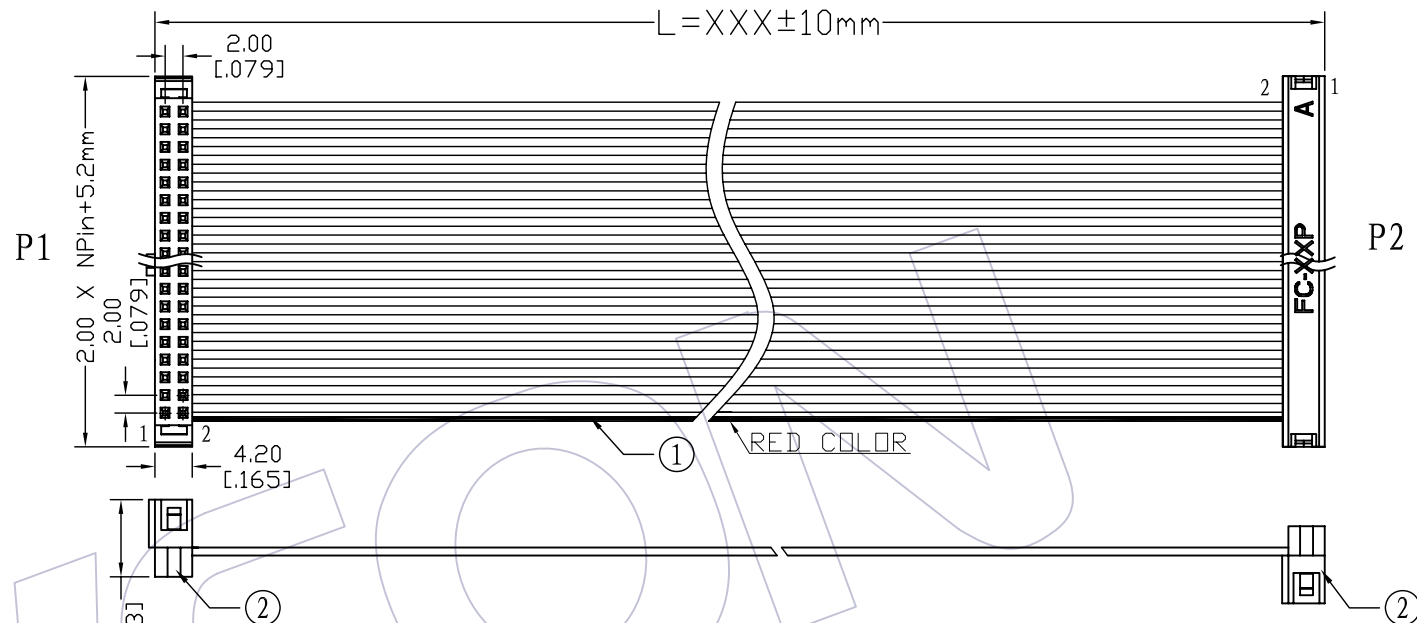
IDC HOUSING MATERIAL
 Insulation Material: PBT+30%GF(UL94V-0)
 Contact Material: Phosphor Bronze
 Contact plating: Au or Sn Over Ni

SPECIFICATIONS

Insulation Resistance: 5MΩ Min
 Contact Resistance: 1.0Ω Max
 Withstand Voltage: DC 300V, 10S
 The Cable Assembly Must 100% Test

CABLE MATERIAL

Insulation: UL 2651, Grey Red Side
 Conductor: 28AWG(7/0.12mm)
 Electrical: 300V



Ordering Information

FA22 - xx xx B B B xxx - 01

No. OF Pins: 06-64p
 Contact Plating:
 G0=Gold Flash
 G3=10u"Gold
 G4=15u"Gold
 G5=30u"Gold
 S0=Gold Flash/Ni
 S3=10u"Gold/Ni
 S4=15u"Gold/Ni
 S5=30u"Gold/Ni
 SN=Tin
 Connector Direction:
 B=OPPOSITE Direction
 Connector Color:
 B=Black
 Length of Line(mm)

CONNECT METHOD

P1	P2
1	XX
2	XX
3	XX
4	XX
XX	2
XX	1

②	5222-XXYPXXBW01	CONN.	2.00 IDC **P PBT Black Phosphor Bronze Plating Xu" gold With Bump	2	SET
①	F1U-B28GXXD0-XXXX-1	WIRE	UL2651 PH1.0mm XXP 28AWG(7/0.12TC) PVC Grey Marking Red Side	XXXX	MM
NO.	PART NO.	NAME	TITLE	QT'Y	UNIT

REV	DATE	MODIFICATION DESCRIPTION	CHANGE	APPROVE	OPERATION	DRAW	BEN	09/08/20	SCALE	1:1	WCON 维峰五金电子有限公司 WAFE HARDWARE ELECTRONICS CO. LTD			
AO	09/08/20	NEW			X.X	±0.40			UNIT	mm	PART NO.	FA22 -xxxxBBBxxx- 01		
					X.XX	±0.25			SIZE	A4	TITLE:	2.00 IDC Drawing		
					X.XXX	±0.15			SHEET	1/1	Customer NO.			
					Angle	± 3'			PROJ.	↗				
					DIM	TOL								