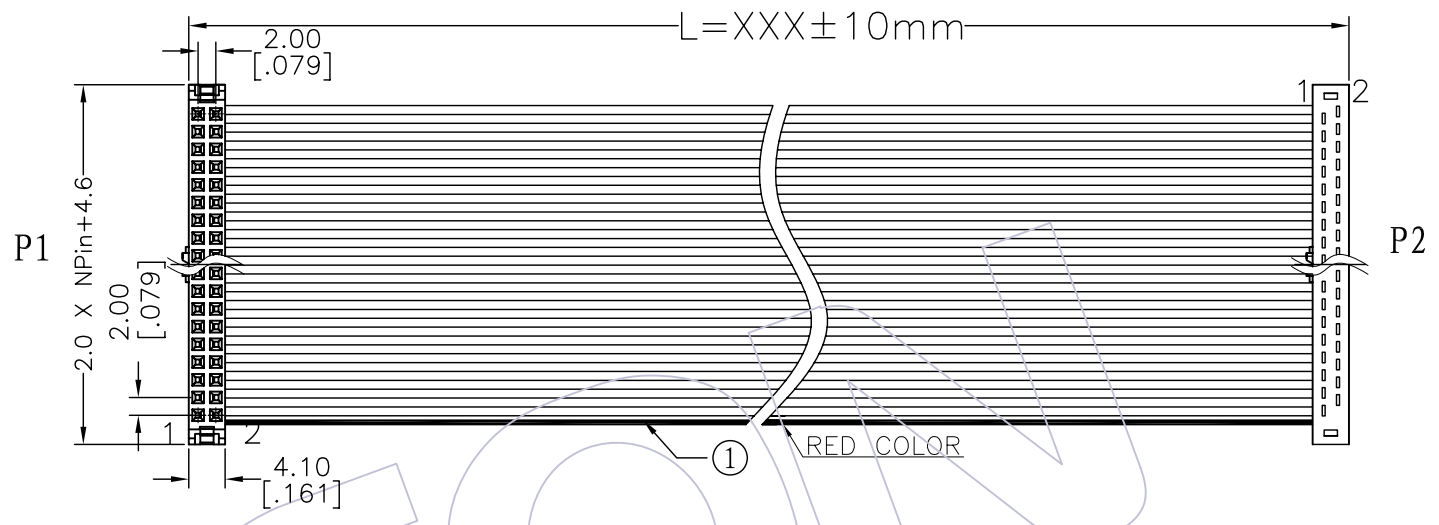


# HSF

IDC HOUSING MATERIAL  
 Insulation Material:PBT+30%GF(UL94V-0)  
 Contact Material:Phosphor Bronze  
 Contact plating:Au or Sn Over Ni

SPECIFICATIONS  
 Insulation Resistance:5MΩ Min  
 Contact Resistance:1.0Ω Max  
 Withstand Voltage:DC 300V, 10S  
 The Cable Assembly Must 100% Test

CABLE MATERIAL  
 Insulation:UL 2651,Grey Red Side  
 Conductor:28AWG(7/0.12mm)  
 Electrical:300V



## Ordering Information

FA22 - xx xx B B B xxx - 91

No.OF Pins: 04-64p  
 Contact Plating:  
 G0=Gold Flash  
 G3=10u"Gold  
 G4=15u"Gold  
 G5=30u"Gold  
 S0=Gold Flash/Ni  
 S3=10u"Gold/Ni  
 S4=15u"Gold/Ni  
 S5=30u"Gold/Ni  
 SN=Tin  
 Connector Direction:  
 B=Opposite Direction  
 Connector Color:  
 B=Black  
 Length of Line(mm)

CONNECT METHOD

|    |    |
|----|----|
| P1 | P2 |
| 1  | XX |
| 2  | XX |
| 3  | XX |
| 4  | XX |
| XX | 2  |
| XX | 1  |

|     |                     |       |  |      |      |
|-----|---------------------|-------|--|------|------|
| ②   | 5224-XXYPXXBW01     | CONN. | 2.00 IDC **P F TYPE PBT Black Phosphor Bronze Plating Xu" gold | 2    | SET  |
| ①   | F1U-B28GXXD0-XXXX-1 | WIRE  | UL2651 PH1.0mm XXP 28AWG(7/0.12TC) PVC Grey Marking Red Side   | XXXX | MM   |
| NO. | PART NO.            | NAME  | TITLE  | QT'Y | UNIT |

|     |          |                          |        |         |  |   |         |     |          |       |     |   |                         |
|-----|----------|--------------------------|--------|---------|--|---|---------|-----|----------|-------|-----|---|-------------------------|
| AO  | 09/08/26 | NEW                      |        |         |  | OPERATION   | DRAW    | BEN | 09/08/26 | SCALE | 1:1 | <b>WCON</b> 维峰五金电子有限公司<br>WAFE HARDWARE ELECTRONICS CO. LTD |                         |
| REV | DATE     | MODIFICATION DESCRIPTION | CHANGE | APPROVE |  | X.X ±0.40<br>X.XX ±0.25<br>X.XXX ±0.15<br>Angle ± 3'<br>DIM TOL | DESIGN  |     |          | UNIT  | mm  |   |                         |
|     |          |                          |        |         |  |   | CHECK   |     |          | SIZE  | A4  | PART NO.  | FA22 -xxxxBBBxxx- 91    |
|     |          |                          |        |         |  |   | APPROVE |     |          | SHEET | 1/1 | TITLE:  | 2.00 F TYPE IDC Drawing |
|     |          |                          |        |         |  |   |         |     |          | PROJ. | ☞   | Customer NO.  |                         |