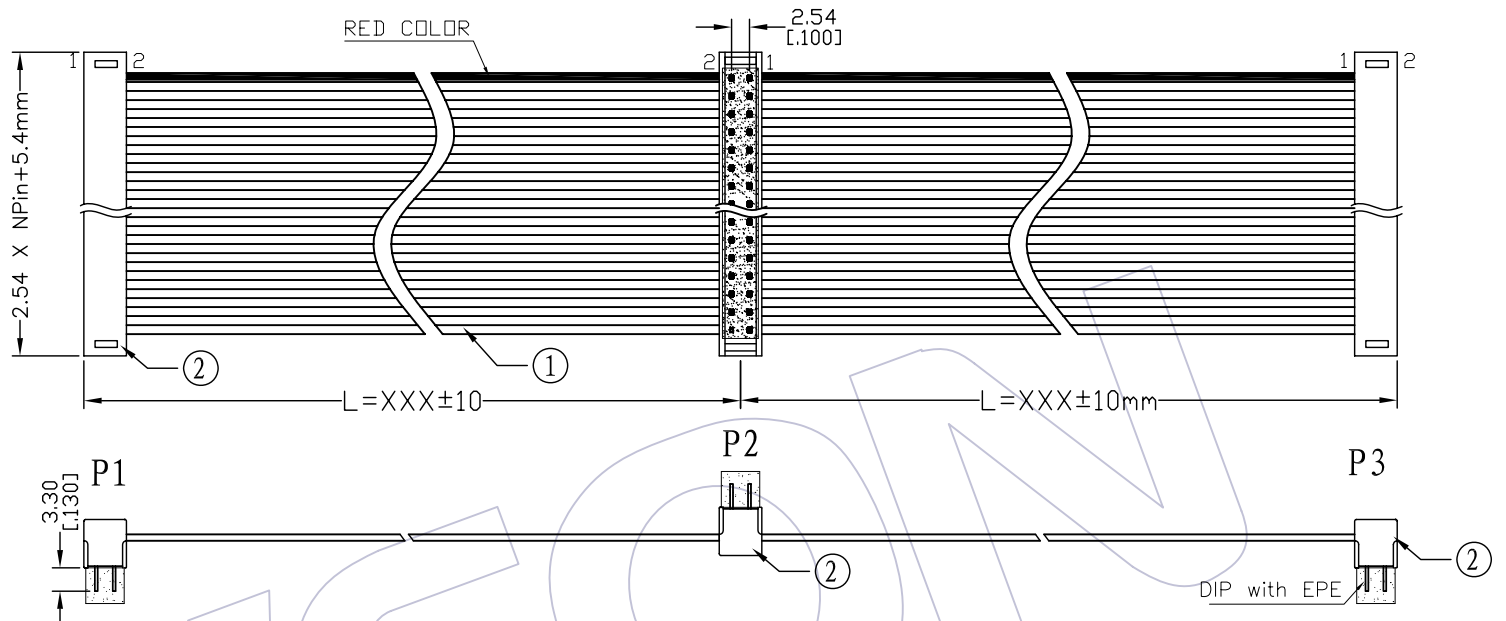


HSF

HOUSING MATERIAL
 Insulation Material:PBT+30%GF(UL94V-0)
 Contact Material:Brass
 Contact plating:Au or Sn Over Ni

SPECIFICATIONS
 Insulation Resistance:5MΩ Min
 Contact Resistance:1.0Ω Max
 Withstand Voltage:DC 300V, 10S
 The Cable Assembly Must 100% Test

CABLE MATERIAL
 Insulation:UL 2651,Grey Red Side
 Conductor:28AWG(7/0.12mm)
 Electrical:300V



Ordering Information

FC13 - xx xx E A x xxx - 01

No.OF Pins
06~64p

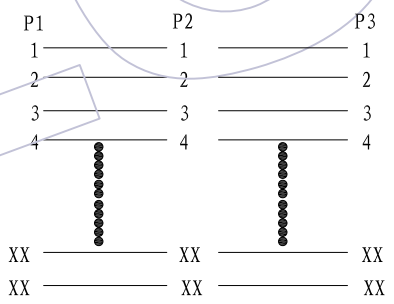
Contact Plating:
 G0=Gold Flash
 G3=10u"Gold
 G4=15u"Gold
 G5=30u"Gold
 S0=Gold Flash/Ni
 S3=10u"Gold/Ni
 S4=15u"Gold/Ni
 S5=30u"Gold/Ni
 SN=Tin

Connector Direction:
 E=Middle opposite

Connector Color:
 B=Black
 G=Grey 427C

Length of Line(mm)

CONNECT METHOD



②	5310-XXBXXX01	CONN.	2.54 DIP **P PBT Color:XXX Brass Plating Xu" gold	3	SET
①	F1U-C28GXXD0-XXXX-1	WIRE	UL2651 PH1.27mm XXP 28AWG (7/0.12TC) PVC Grey Marking Red Side	XXXX	MM
NO.	PART NO.	NAME	TITLE	QT'Y	UNIT

						OPERATION	DRAW	BEN	09/09/08	SCALE	1:1	WCON 维峰五金电子有限公司 WAFE HARDWARE ELECTRONICS CO. LTD		
						x.x ±0.40	DESIGN			UNIT	mm			
						x.xx ±0.25	CHECK			SIZE	A4		PART NO.	FC13 - xxxxEAxxxx - 01
						x.xxx ±0.15	APPROVE			SHEET	1/1		TITLE:	2.54 DIP Drawing
AO	09/09/08		NEW			Angle ± 3'				PROJ.	↗	Customer NO.		
REV	DATE		MODIFICATION DESCRIPTION	CHANGE	APPROVE	DIM TOL								