

# HSF

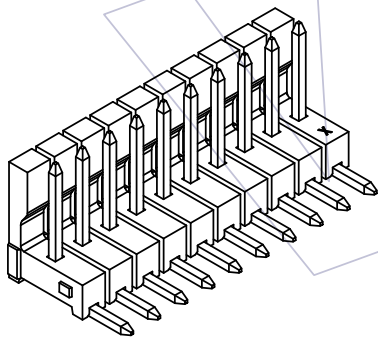
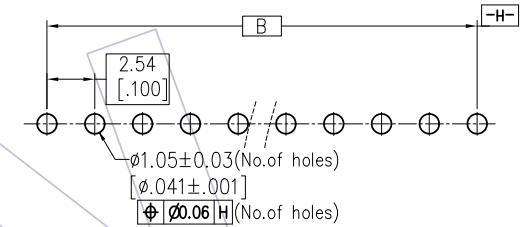
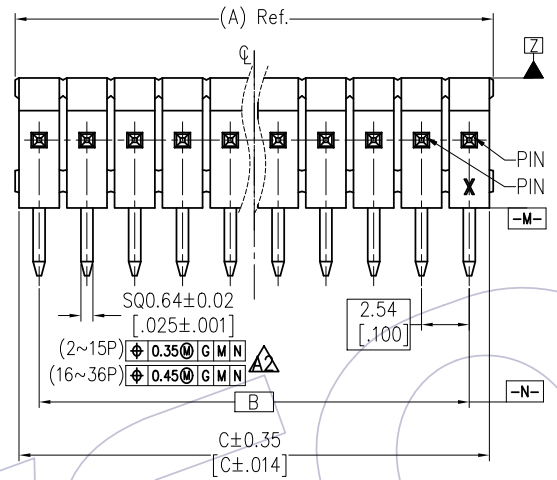
## NOTES:

Current Rating: 3.0AMP  
 Voltage Rating: 250V  
 Contact Resistance: 20mΩ Max  
 Withstand Voltage: 1000V AC/minute  
 Insulation Resistance: 1000MΩ Min  
 Operation Temperature: -40℃ to +105℃

Contact Material: Copper Alloy  
 Contact plating: See Ordering Information  
 Insulator Material: PA66, G.F, UL94V-0, WHITE.

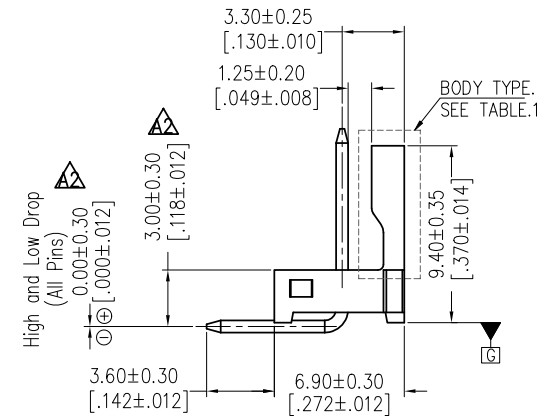
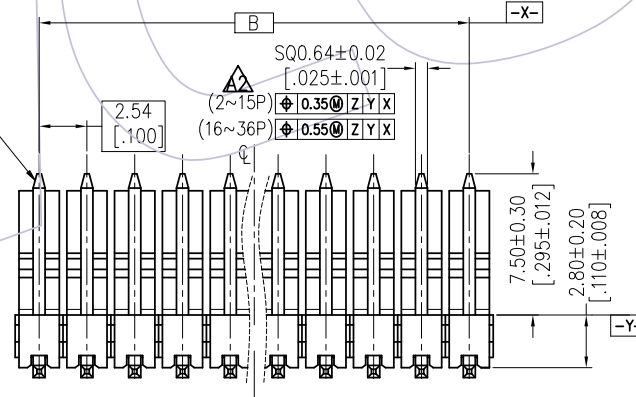
Recommended Process:  
 Wave Soldering, Peak temperature: 235±5℃

Recommended P.C.B Layout(Top Side)  
 (PCB BOARD TOLERANCE±0.05)  
 PCB BOARD THICKNESS: 1.6~2.0



3D VIEW

C0.75\*0.20  
 [C.030\*.008]  
 (Tolerance: ±0.05)



REV	DATE	MODIFICATION DESCRIPTION	CHANGE	OPERATION	DRAW	DATE	SCALE	FIT	PART NO.
A2	2020/11/23	Change the size according to customer requirements and revised position tolerance	ZXC	x.x ±0.40	ZXC	2020/11/23	UNIT	mm [inch]	WF2545-DWRXXXXW01
A1	2020/04/16	Add Contact plating "S4" and "G4"	Andrey	x.xx ±0.25	CHECK	DATE	SIZE	A4	TITLE: 2.54mm Wafer R/A Single Row, Breakable, Dip Height=3.60mm
A0	2020/03/11	NEW	Andrey	x.xxx ±0.15	APPROVE	DATE	SHEET	1/3	Customer NO.
				Angle ± 3'			PROJ.		
				DIM TOL					

# WCON

Http: www.wcon.com

WCON-Dongguan  
 Tel: +86 769 85358920  
 Fax: +86 769 85358915  
 E-mail: sales@wcon.com

WCON-Kunshan  
 Tel: +86 512 57468408  
 Fax: +86 512 57468468  
 E-mail: salesks@wcon.com

**HSF**

### Ordering Information

**WF 2545 -D WR XX XX W 0 1**

Company Code: WF  
 Product Series Code: 254= 2.54mm Pitch  
 5= Fifth series  
 Body Type: -D  
 See Table. 1  
 Type Code: WR=90° DIP  
 No. of pins: XX  
 02~36Pin  
 Contact Plating:  
 ▲S4=15u" Gold Plated On Contact Area,  
 80u" Min Bright Tin Plated On Ni Plated  
 50u" Min Nickel Plated Overall  
 ▲G4=15u" Gold Over 50u" Nickel  
 Blank:  
 Full Bright Tin 80u" Min Plated Overall  
 Housing Color: W=White  
 Packing: 0=PE Bag  
 Wcon Internal Code: 1~9

TABLE 1(BODY TYPE):

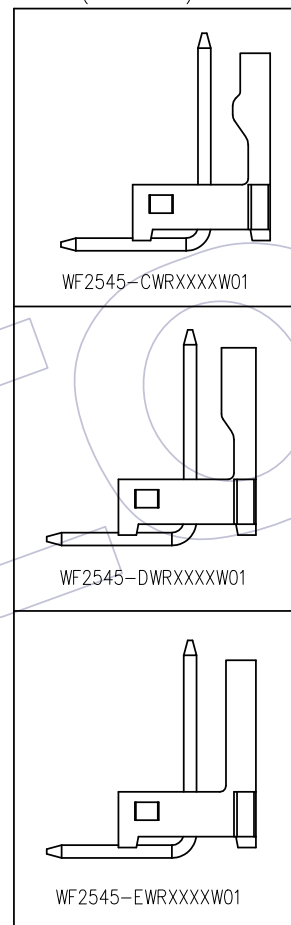



TABLE 2:

Pin No.	Part Number	Dim.A	Dim.B	Dim.C
2P	WF2545-DWR02XXW01	5.08	2.54	4.68
3P	WF2545-DWR03XXW01	7.62	5.08	7.22
4P	WF2545-DWR04XXW01	10.16	7.62	9.76
5P	WF2545-DWR05XXW01	12.70	10.16	12.30
6P	WF2545-DWR06XXW01	15.24	12.70	14.84
7P	WF2545-DWR07XXW01	17.78	15.24	17.38
8P	WF2545-DWR08XXW01	20.32	17.78	19.92
9P	WF2545-DWR09XXW01	22.86	20.32	22.46
10P	WF2545-DWR10XXW01	25.40	22.86	25.00
11P	WF2545-DWR11XXW01	27.94	25.40	27.54
12P	WF2545-DWR12XXW01	30.48	27.94	30.08
13P	WF2545-DWR13XXW01	33.02	30.48	32.62
14P	WF2545-DWR14XXW01	35.56	33.02	35.16
15P	WF2545-DWR15XXW01	38.10	35.56	37.70
16P	WF2545-DWR16XXW01	40.64	38.10	40.24
17P	WF2545-DWR17XXW01	43.18	40.64	42.78
18P	WF2545-DWR18XXW01	45.72	43.18	45.32
19P	WF2545-DWR19XXW01	48.26	45.72	47.86
20P	WF2545-DWR20XXW01	50.80	48.26	50.40
21P	WF2545-DWR21XXW01	53.34	50.80	52.94
22P	WF2545-DWR22XXW01	55.88	53.34	55.48
23P	WF2545-DWR23XXW01	58.42	55.88	58.02
24P	WF2545-DWR24XXW01	60.96	58.42	60.56
25P	WF2545-DWR25XXW01	63.50	60.96	63.10
26P	WF2545-DWR26XXW01	66.04	63.50	65.64
27P	WF2545-DWR27XXW01	68.58	66.04	68.18
28P	WF2545-DWR28XXW01	71.12	68.58	70.72
29P	WF2545-DWR29XXW01	73.66	71.12	73.26
30P	WF2545-DWR30XXW01	76.20	73.66	75.80
31P	WF2545-DWR31XXW01	78.74	76.20	78.34
32P	WF2545-DWR32XXW01	81.28	78.74	80.88
33P	WF2545-DWR33XXW01	83.82	81.28	83.42
34P	WF2545-DWR34XXW01	86.36	83.82	85.96
35P	WF2545-DWR35XXW01	88.90	86.36	88.50
36P	WF2545-DWR36XXW01	/	88.90	91.04

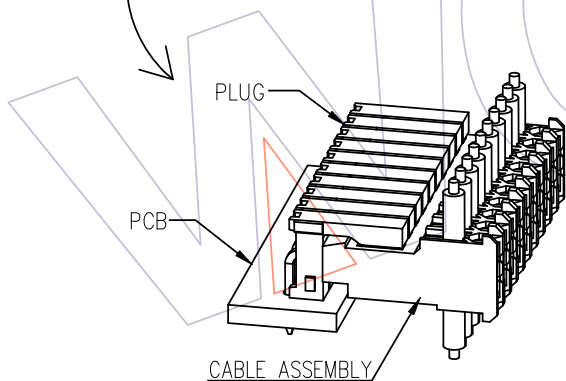
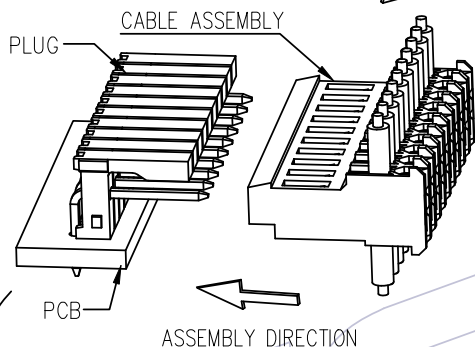
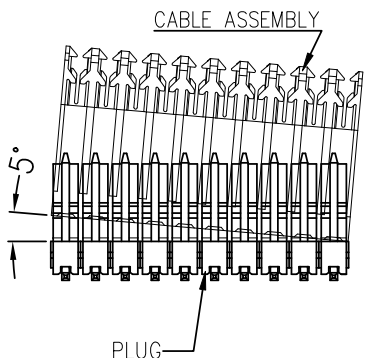
REV	DATE	MODIFICATION DESCRIPTION	CHANGE	OPERATION	DRAW	DATE	SCALE	FIT	PART NO.	 Http: www.wcon.com WCON-Dongguan Tel: +86 769 85358920 WCON-Kunshan Tel: +86 512 57468408 Fax: +86 769 85358915 E-mail: sales@wcon.com
A2	2020/11/23	Change the size according to customer requirements and revised position tolerance	▲	ZXC	x.x	±0.40	UNIT	mm [inch]	WF2545-DWRXXXW01	
A1	2020/04/16	Add Contact plating "S4" and "G4"	▲	Andrey	x.xx	±0.25	SIZE	A4	TITLE: 2.54mm Wafer R/A Single Row, Breakable, Dip Height=3.60mm	
A0	2020/03/11	NEW		Andrey	x.xxx	±0.15	SHEET	2/3	Customer NO.	
					Angle	± 3'	PROJ.	⌀		
					DIM	TOL				

# HSF

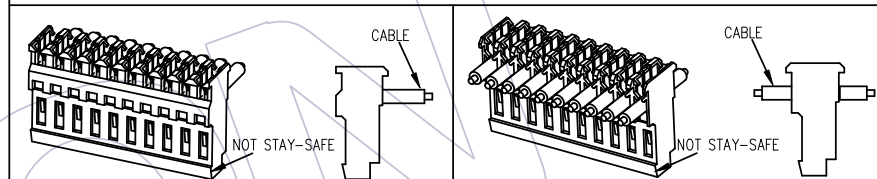
ALLOWED ANGULAR INCLINATION  
TOLERANCES LONGITUDINAL:  $\pm 5^\circ$

DYNAMIC USE HINT:

PULL OUT DIRECTION



ADAPTATION CABLE ASSEMBLY



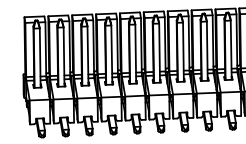
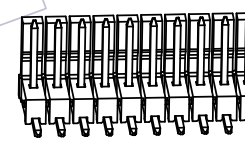
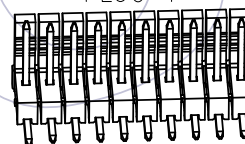
PART NO.: WF2545-XXHIEXXT02

PART NO.: WF2545-XXHITXXBT02

PLUG-1

PLUG-2

PLUG-3



WF2545-CWRXXXXW01

WF2545-DWRXXXXW01

WF2545-EWRXXXXW01

REV	DATE	MODIFICATION DESCRIPTION	CHANGE	OPERATION	DRAW	DATE	SCALE	FIT	PART NO.
A2	2020/11/23	Change the size according to customer requirements and revised position tolerance	ZXC	x.x	±0.40	2020/11/23	UNIT	mm [inch]	WF2545-DWRXXXXW01
A1	2020/04/16	Add Contact plating "S4" and "G4"	Andrey	x.xx	±0.25	DATE	SIZE	A4	TITLE: 2.54mm Wafer R/A Single Row, Breakable, Dip Height=3.60mm
A0	2020/03/11	NEW	Andrey	x.xxx	±0.15	DATE	SHEET	3/3	Customer NO.
				Angle	± 3°		PROJ.		
				DIM	TOL				

## WCON

Http: www.wcon.com

WCON-Dongguan  
Tel: +86 769 85358920  
Fax: +86 769 85358915  
E-mail: sales@wcon.com

WCON-Kunshan  
Tel: +86 512 57468408  
Fax: +86 512 57468468  
E-mail: salesks@wcon.com