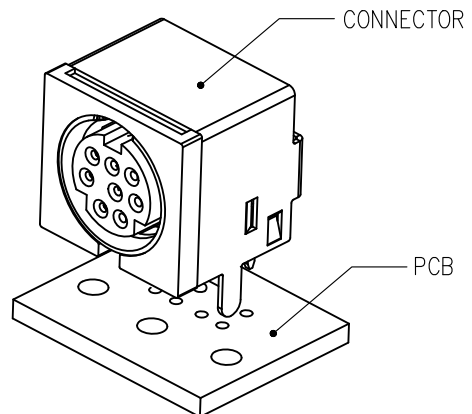
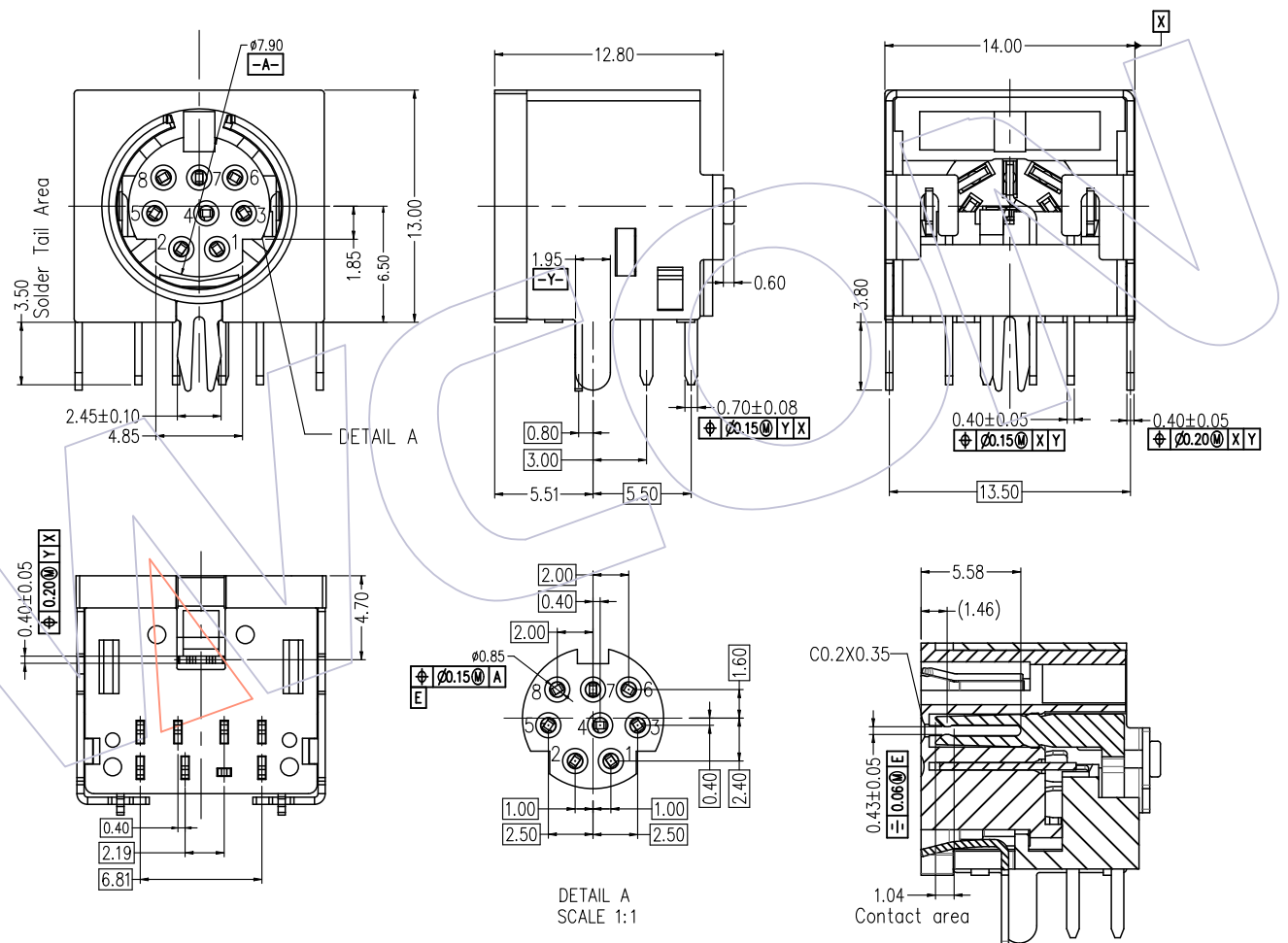



HSF

- NOTES:
- Material:
 - Housing: PBT UL94V-0 BK
 - Cover: PA9T UL94V-0 BK
 - Terminal: Copper Alloy
 - Shell: Steel
 - Copper Ring: Copper Alloy
 - Terminal Finish:
 - xxu" Gold on contact area(see ordering information)
 - 80u"Min.Sn plated on Solder area
 - 50u"Min Ni Underplating overall;
 - Shell Finish: 30u"Min,Ni Underplating Over All.
 - Copper Ring Finish: 30u"Min,Ni Underplating Over All.
 - Specification:
 - 6.1 Rating
 - Rated Current: 1.0A
 - 7.2 Electrical
 - Contact Resistance: 30mΩ max
 - Withstand Voltage: 500V AC/DC
 - Insulation Resistance: 100MΩ min
 - 8.Operation Temperature: -55℃ to +85℃
 - 9.Recommended Process: Wave Solder
 - temperature: 245±5℃ 5 S



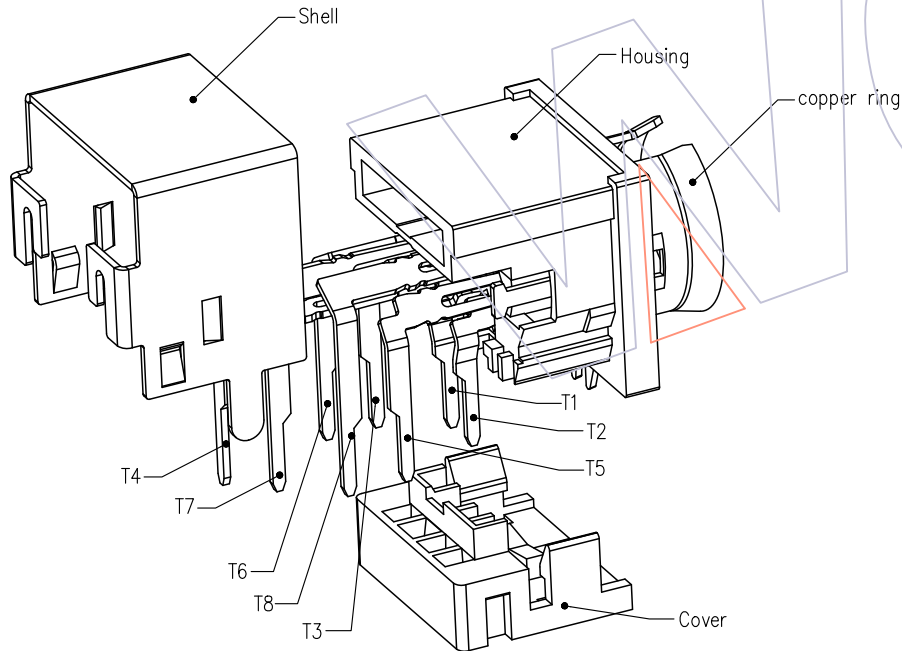
				OPERATION	DRAW	DATE	SCALE	FIT	PART NO.	 Http: www.wcon.com
				x.x ±0.30	Morris	2021/03/29	UNIT	mm	6420-08FSORBN01	
				x.xx ±0.25	CHECK	DATE	SIZE	A4	TITLE:	WCON-Dongguan Tel: +86 769 85358920 Fax: +86 769 85358915 E-mail: sales@wcon.com
				x.xxx ±0.15	APPROVE	DATE	SHEET	1/2	Mini Din Female 8P R/A Conn (W/Forklock 偏心脚)	
A0	2021/03/29	NEW	---	Angle ±3'			PROJ.	◆	Customer NO.	
REV	DATE	MODIFICATION DESCRIPTION	CHANGE	DIM TOL						



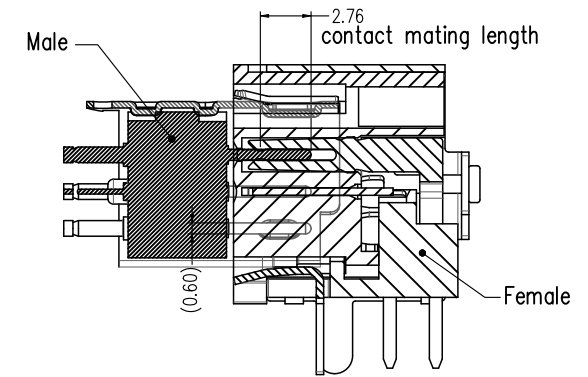
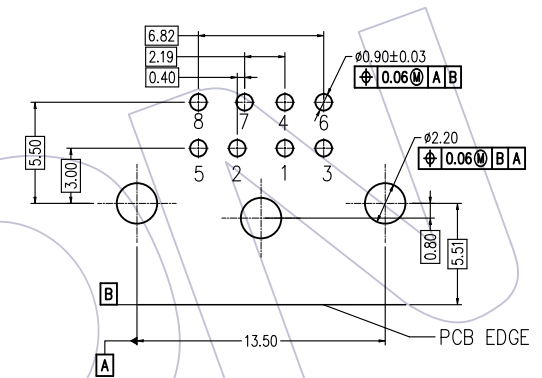
Ordering Information

6420 - 08 F S0 R B N 01

No. of Pins ———— 08=8PIN
 Type ————— F=Female
 Contact Plating ——— S0=Gold Flash/Tin
 WCON internal code
 No Spring
 Colour ————— B=Black
 90D angle



Recommended P.C.B Layout(Top View)
(PCB BOARD TOLERANCE±0.03)



Mated drawing

				OPERATION	DRAW	DATE	SCALE	FIT	PART NO.	 Http: www.wcon.com WCON-Dongguan WCON-Kunshan Tel: +86 769 85358920 Tel: +86 512 57468408 Fax: +86 769 85358915 Fax: +86 512 57468468 E-mail: sales@wcon.com E-mail: salesks@wcon.com
			x.x	±0.30	Morris	2021/03/29	UNIT	mm	6420-08FSORBN01	
			x.xx	±0.25	CHECK	DATE	SIZE	A4	TITLE:	
A0	2021/03/29	NEW	x.xxx	±0.15	APPROVE	DATE	SHEET	2/2	Mini Din Female 8P R/A Conn (W/Forklock 偏心脚)	
REV	DATE	MODIFICATION DESCRIPTION	CHANGE	Angle			PROJ.	◆	Customer NO.	
				DIM	TOL					