

HSF

NOTES:
 Current Rating: 3.0AMP
 Voltage Rating: 250V
 Contact Resistance: 20mΩ Max
 Withstand Voltage: 775V AC
 Insulation Resistance: 1000MΩ Min
 Operation Temperature: -55℃ to +105℃
 Contact Material: Copper alloy
 Contact plating:
 XXu"Gold on contact area(See ordering information).
 100u"Matte-Tin on solder area.
 50u"Nickel underplating overall.
 Insulator Material:LCP UL94V-0(Std)
 IR solidering,Peak temperature: 260±5℃, 5s

Ordering Information

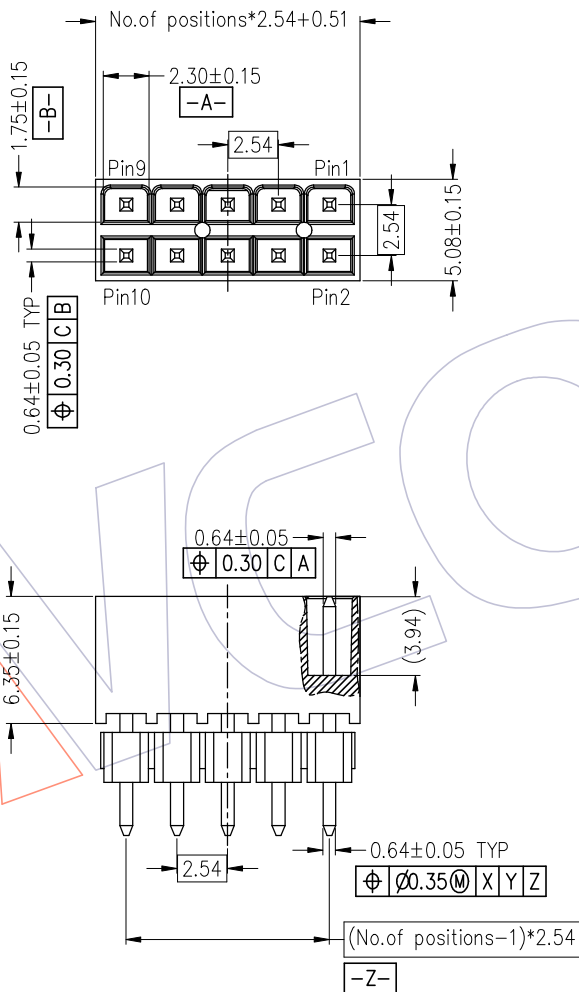
3600 - P XXX - XXX S XX X 01

TYPE
 P: Plug
 No. of Pins(Total)
 010: 10PIN
 (02-60Pin)
 Insulator Height
 093: 9.3mm
 Contact Shape
 S: 180° DIP

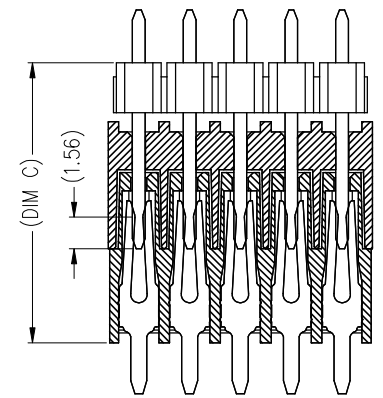
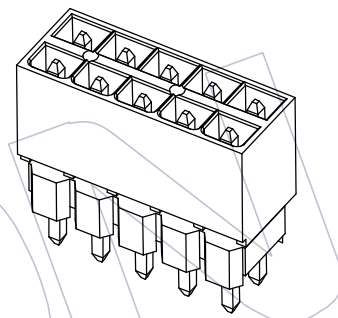
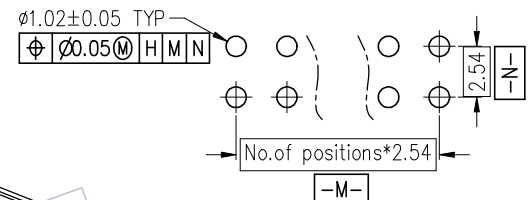
Internal Code

Packing:
 T: Tube
 R: Tape&Reel

Contact Plating:
 W0=Gold Flash/Matte Tin
 W3=10u" Gold/Matte Tin
 W5=30u" Gold/Matte Tin



Recommended P.C.B layout(Top Side)
 (PCB BOARD TOLERANCE ± 0.05)



Female&Male mating

3600-PXXX-303SXXX01	30.30	2.46	35.00
3600-PXXX-253SXXX01	25.30	2.39	30.00
3600-PXXX-203SXXX01	20.30	2.31	25.00
3600-PXXX-153SXXX01	15.30	2.35	20.00
3600-PXXX-143SXXX01	14.30	2.46	19.00
3600-PXXX-123SXXX01	12.30	2.69	17.00
3600-PXXX-113SXXX01	11.30	2.16	16.00
3600-PXXX-093SXXX01	9.30	2.64	14.00
PN	DIM A	DIM B	DIM C

				OPERATION	DRAW	DATE	SCALE	FIT	PART NO. 3600-PXXX-XXXSXXX01		
				x.x ±0.40	Bruce	2020/05/12	UNIT	mm	TITLE: 2.54mm Board to Board Conn.,"S" Type,Plug,180°DIP,increase the height		
				x.xx ±0.35	CHECK	DATE	SIZE	A4			
				x.xxx ±0.15	APPROVE	DATE	SHEET	1/2	Customer NO.		
AO	2020/05/12	NEW	-----	Angle ± 3°			PROJ.	ϕ			
REV	DATE	MODIFICATION DESCRIPTION	CHANGE	DIM TOL							

WCON
 Http: www.wcon.com

WCON-Dongguan
 Tel: +86 769 85358920
 Fax: +86 769 85358915
 E-mail: sales@wcon.com

WCON-Kunshan
 Tel: +86 512 57468408
 Fax: +86 512 57468468
 E-mail: salesks@wcon.com