

HSF

NOTES:
 Current Rating: 3.2AMP Per Pin(2 Pins Powered)
 Voltage Rating: 250VAC
 Contact Resistance: 30mΩ Max
 Withstand Voltage: 750V AC
 Insulation Resistance: 1000MΩ Min
 Operation Temperature: -55℃ to +125℃
 Contact Material: Copper Alloy
 Contact plating:
 xxu" Gold On Contact Area, (See Ordering Information)
 100u" Matte Tin On Solder Area
 50u" Nickel Underplating Overall
 Insulator And Cap Material: LCP,G.F,UL94V-0,Black

Recommended Process:
 Reflow Soldering, Peak Temperature: 260±5℃
 For 10+/-1s

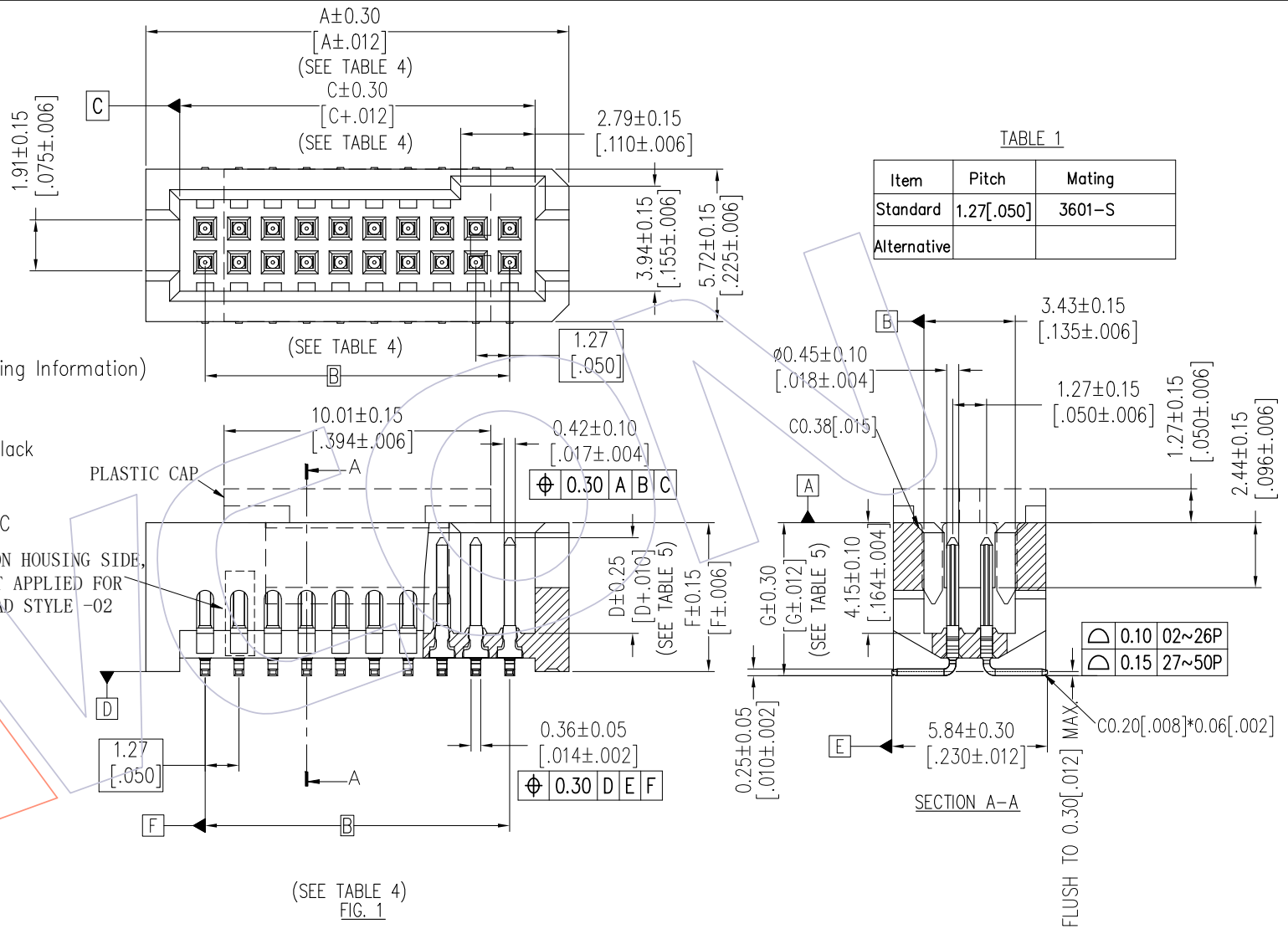


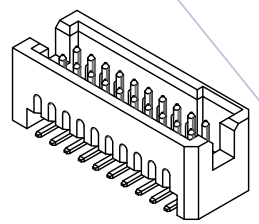
TABLE 1

Item	Pitch	Mating
Standard	1.27[.050]	3601-S
Alternative		

△ 0.10	02~26P
△ 0.15	27~50P

(SEE TABLE 4)
FIG. 1

SURFACE MOUNT
 LEAD STYLE: SEE TABLE 5



3D VIEW

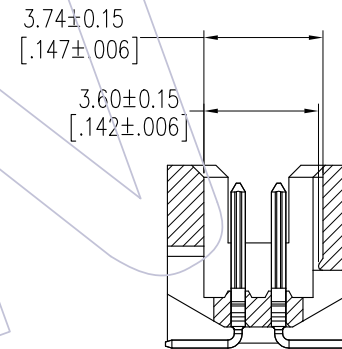
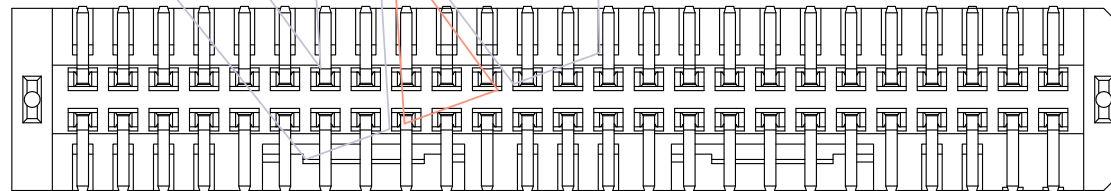
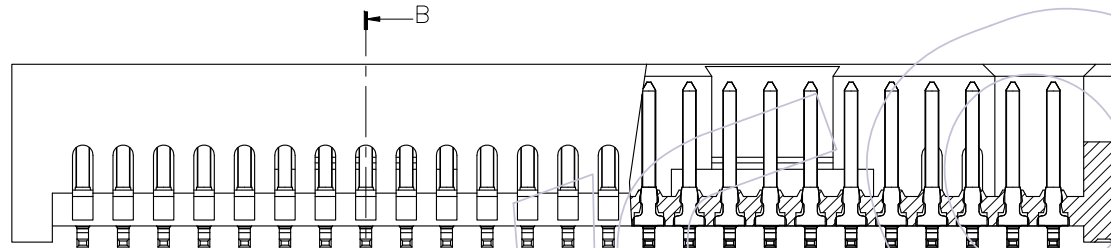
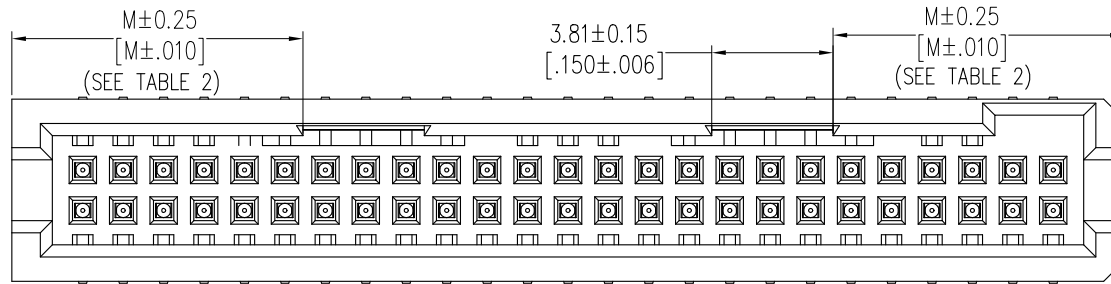
REV	DATE	MODIFICATION DESCRIPTION	CHANGE	OPERATION	DRAW	DATE	SCALE	FIT	PART NO.
A1	2021/07/22	ADD THE PIN NUMBLE DESCRIPTION IN TABLE 3	YE XIAOBING	x.x ±0.40	YE XIAOBING	2021/07/22	UNIT	mm	3601-PXXX-AXXMX01
AO	2020/12/05	NEW	Orwell	x.xx ±0.25	CHECK	DATE	SIZE	A4	TITLE: 1.27mm BTB Male Header W=5.72, -STD STYLE, SMT
				x.xxx ±0.15			SHEET	1/7	Customer NO.
				Angle ± 3°	APPROVE	DATE	PROJ.		
				DIM TOL					

WCON
 Http: www.wcon.com

WCON-Dongguan
 Tel: +86 769 85358920
 Fax: +86 769 85358915
 E-mail: sales@wcon.com

WCON-Kunshan
 Tel: +86 512 57468408
 Fax: +86 512 57468468
 E-mail: salesks@wcon.com

HSF



SECTION B-B

TABLE 2

NO. OF POS.	Dim.M
EVEN(EXCEPT 08)	7.87[.310]
ODD(EXCEPT 05, 07)	9.14[.360]
05, 07, 08	2.87[.113]

FIG. 2
HOUSING WITH LOCKING
POSITION 25 PER ROW
(SAME AS FIG.1, DIFFERENT AS SHOWN)

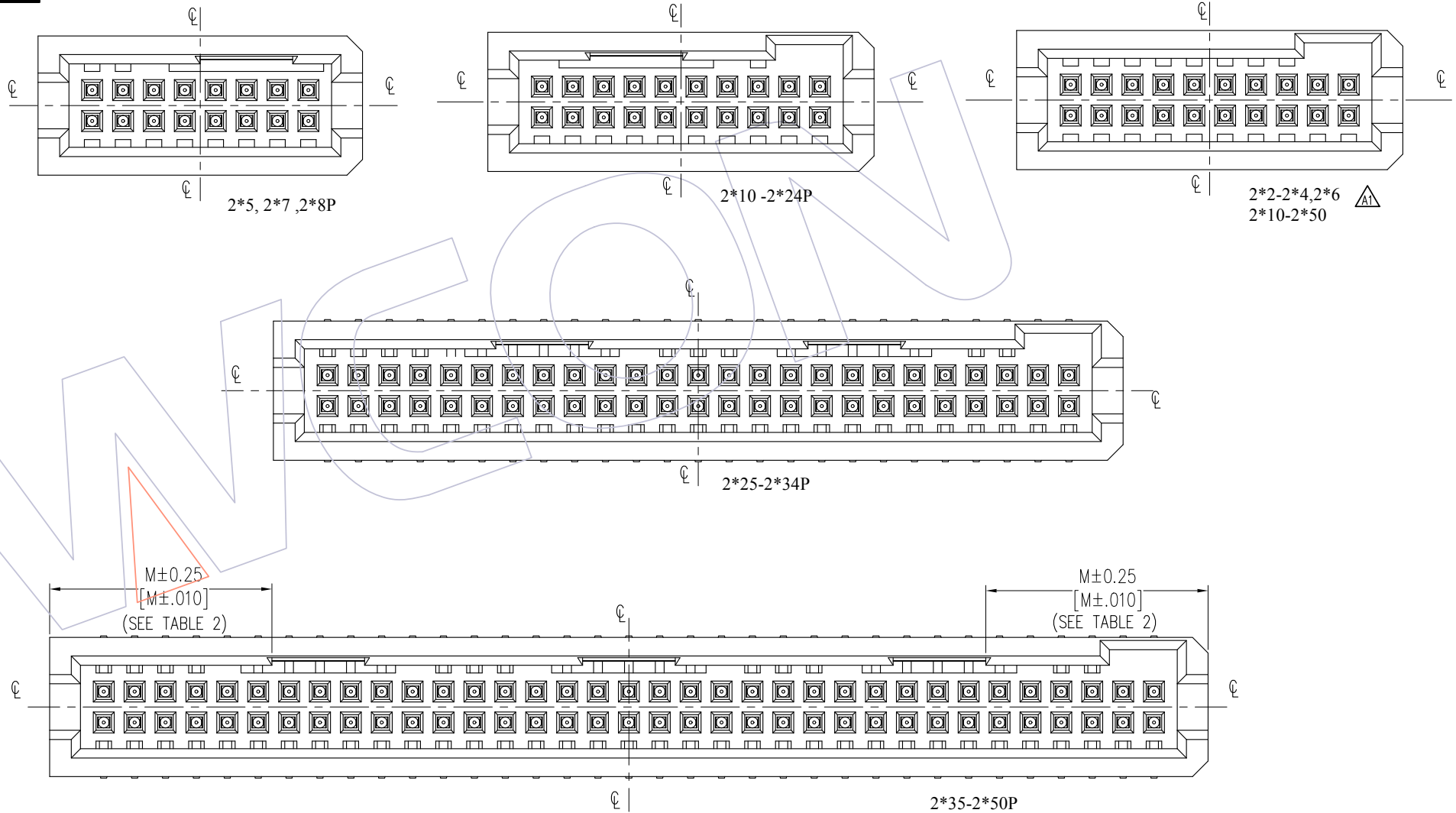
REV	DATE	MODIFICATION DESCRIPTION	CHANGE	OPERATION	DRAW	DATE	SCALE	FIT	PART NO.
A1	2021/07/22	ADD THE PIN NUMBLE DESCRIPTION IN TABLE 3	YE XIAOBING	x.x ±0.40	YE XIAOBING	2021/07/22	UNIT	mm	3601-PXXX-AXMXXX01
AO	2020/12/05	NEW	Orwell	x.xx ±0.25	CHECK	DATE	SIZE	A4	TITLE: 1.27mm BTB Male Header W=5.72, -STD STYLE, SMT
				x.xxx ±0.15	APPROVE	DATE	SHEET	2/7	Customer NO.
				Angle ± 3°			PROJ.		
				DIM TOL					

WCON

Http: www.wcon.com

WCON-Dongguan Tel: +86 769 85358920 Fax: +86 769 85358915 E-mail: sales@wcon.com	WCON-Kunshan Tel: +86 512 57468408 Fax: +86 512 57468468 E-mail: salesks@wcon.com
---	--

HSF



REV	DATE	MODIFICATION DESCRIPTION	CHANGE	OPERATION	DRAW	DATE	SCALE	FIT	PART NO.
A1	2021/07/22	ADD THE PIN NUMBLE DESCRIPTION IN TABLE 3	YE XIAOBING	x.x ±0.40	YE XIAOBING	2021/07/22	UNIT	mm	3601-PXXX-AXXMX01
AO	2020/12/05	NEW	Orwell	x.xx ±0.25	CHECK	DATE	SIZE	A4	TITLE: 1.27mm BTB Male Header W=5.72, -STD STYLE, SMT
				x.xxx ±0.15	APPROVE	DATE	SHEET	3/7	Customer NO.
				Angle ± 3°			PROJ.		
				DIM TOL					

WCON
Http: www.wcon.com

WCON-Dongguan
Tel: +86 769 85358920
Fax: +86 769 85358915
E-mail: sales@wcon.com

WCON-Kunshan
Tel: +86 512 57468408
Fax: +86 512 57468468
E-mail: salesks@wcon.com

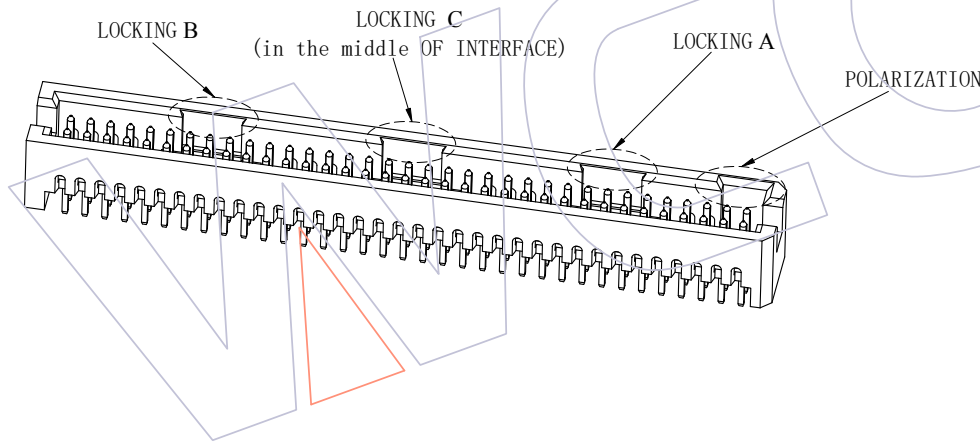
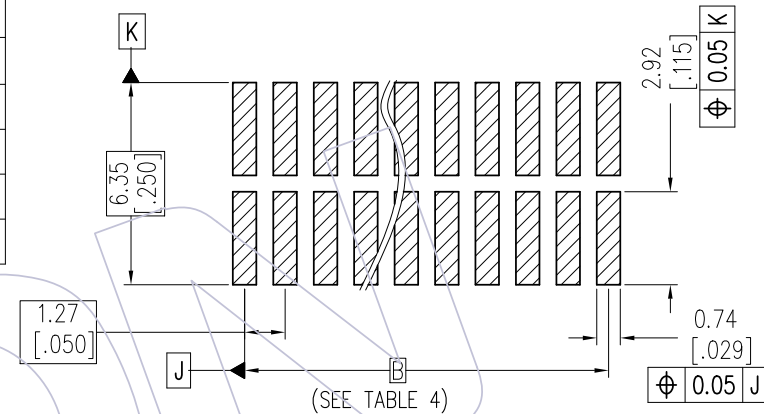
HSF

TABLE 3

No.	Pin Number (Per Row)	POLARIZATION	BUMP LOCKING A	BUMP LOCKING B	BUMP LOCKING C
3	2*5,2*7,2*8	NO	YES	NO	NO
2	2*10-2*24	YES	YES	NO	NO
2	2*25-2*34	YES	YES	YES	NO
2	2*35-2*50	YES	YES	YES	YES
1	2*10-2*50	YES	NO	NO	NO
1	2*2-2*4,2*6	YES	NO	NO	NO



Recommended P.C.B Layout(Top Side)
(PCB BOARD TOLERANCE±0.05)



				OPERATION		DRAW		DATE		SCALE		FIT		PART NO.	
				x.x	±0.40	YE XIAOBING		2021/07/22		UNIT		mm		3601-PXXX-AXMXXX01	
A1	2021/07/22	ADD THE PIN NUMBLE DESCRIPTION IN TABLE 3		x.xx	±0.25	CHECK		DATE		SIZE		A4		TITLE:	
AO	2020/12/05	NEW		x.xxx	±0.15	APPROVE		DATE		SHEET		4/7		1.27mm BTB Male Header	
REV	DATE	MODIFICATION DESCRIPTION		Angle	± 3°					PROJ.		⌀		W=5.72, -STD STYLE, SMT	
		CHANGE		DIM	TOL									Customer NO.	

WCON

Http: www.wcon.com

WCON-Dongguan	WCON-Kunshan
Tel: +86 769 85358920	Tel: +86 512 57468408
Fax: +86 769 85358915	Fax: +86 512 57468468
E-mail: sales@wcon.com	E-mail: salesks@wcon.com

HSF

TABLE 6:

	ASS'Y HIGH(H)		MALE	FEMALE	WIPE		
	3601-SS LEAD STYLE		H1	H2	FULLY MATED	MIN @ H MAX	
	-01, -03						
	FULLY MATED	MAX					
3601-PM LEAD STYLE	-02	6.17[.243]	6.63[.261]	5.74[.226]	4.57[.180]	0.84[.033]	0.38[.015]
	-12	7.95[.313]	8.41[.331]	7.52[.296]	4.57[.180]	0.84[.033]	0.38[.015]
	-22	9.73[.383]	10.19[.401]	9.30[.366]	4.57[.180]	0.84[.033]	0.38[.015]
	-32	11.63[.458]	12.09[.476]	11.20[.444]	4.57[.180]	0.84[.033]	0.38[.015]

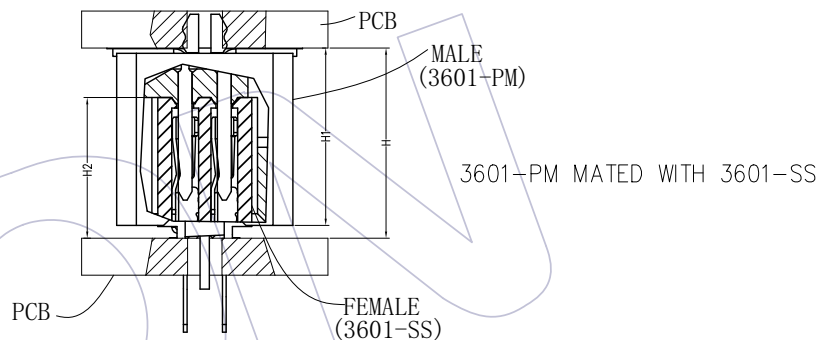
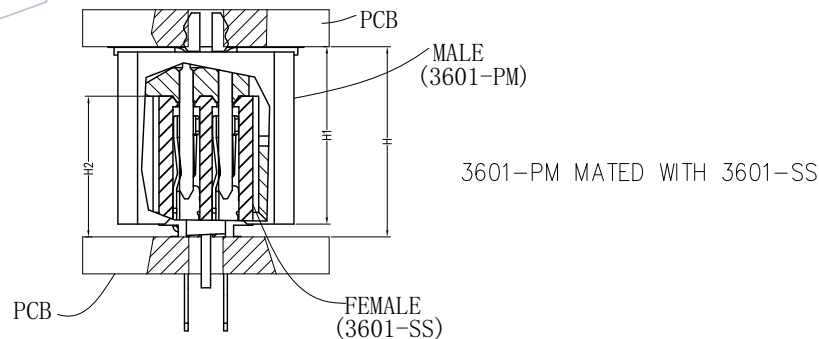

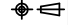


TABLE 7:

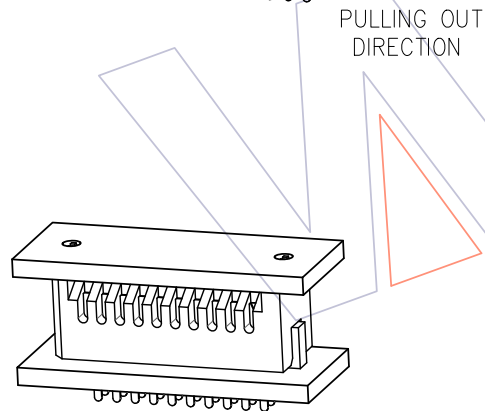
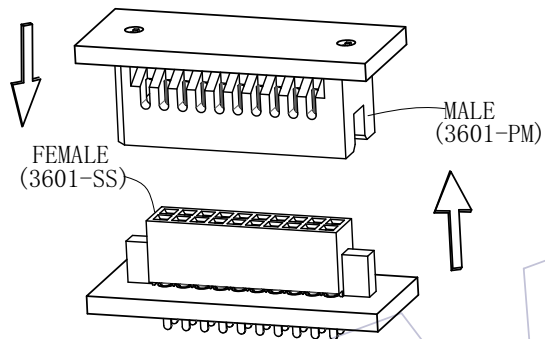
	ASS'Y HIGH(H)		MALE	FEMALE	WIPE		
	3601-SM LEAD STYLE		H1	H2	FULLY MATED	MIN @ H MAX	
	-02						
	FULLY MATED	MAX					
3601-PM LEAD STYLE	-02	6.30[.248]	6.76[.266]	5.74[.226]	4.83[.190]	0.84[.033]	0.38[.015]
	-12	8.08[.318]	8.54[.336]	7.52[.296]	4.83[.190]	0.84[.033]	0.38[.015]
	-22	9.86[.388]	10.32[.406]	9.30[.366]	4.83[.190]	0.84[.033]	0.38[.015]
	-32	11.76[.463]	12.22[.481]	11.20[.444]	4.83[.190]	0.84[.033]	0.38[.015]



REV	DATE	MODIFICATION DESCRIPTION	CHANGE	OPERATION		DRAW YE XIAOBING	DATE 2021/07/22	SCALE	FIT	PART NO. 3601-PXXX-AXMXXX01	TITLE: 1.27mm BTB Male Header W=5.72, -STD STYLE, SMT	 Http: www.wcon.com WCON-Dongguan Tel: +86 769 85358920 Fax: +86 769 85358915 E-mail: sales@wcon.com WCON-Kunshan Tel: +86 512 57468408 Fax: +86 512 57468468 E-mail: salesks@wcon.com	
				X.X	±0.40								
A1	2021/07/22	ADD THE PIN NUMBLE DESCRIPTION IN TABLE 3	YE XIAOBING	X.XX	±0.25	CHECK	DATE	SIZE	A4	Customer NO.			
AO	2020/12/05	NEW	Orwell	X.XXX	±0.15	APPROVE	DATE	SHEET	6/7				
				Angle	± 3'			PROJ.					

3601-PM MATED WITH 3601-SS

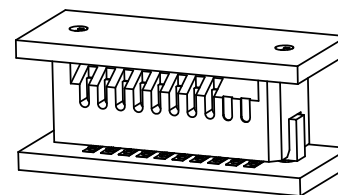
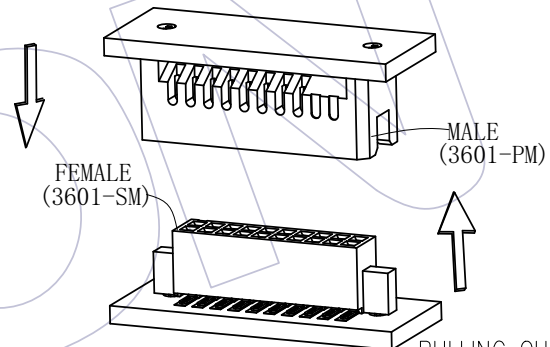
MATING DIRECTION




ASSEMBLY COMPLETION STATUS

3601-PM MATED WITH 3601-SM

MATING DIRECTION



ASSEMBLY COMPLETION STATUS

				OPERATION	DRAW	DATE	SCALE	FIT	PART NO.	 Http: www.wcon.com
				X.X	YE XIAOBING	2021/07/22	UNIT	mm inch	3601-PXXX-AXXMXX01	
A1	2021/07/22	ADD THE PIN NUMBLE DESCRIPTION IN TABLE 3	YE XIAOBING	X.XX	CHECK	DATE	SIZE	A4	TITLE:	WCON-Dongguan Tel: +86 769 85358920 Fax: +86 769 85358915 E-mail: sales@wcon.com
AO	2020/12/05	NEW	Orwell	X.XXX	APPROVE	DATE	SHEET	7/7	1.27mm BTB Male Header W=5.72, -STD STYLE, SMT	
REV	DATE	MODIFICATION DESCRIPTION	CHANGE	Angle DIM	± 3' TOL		PROJ.	⌀	Customer NO.	