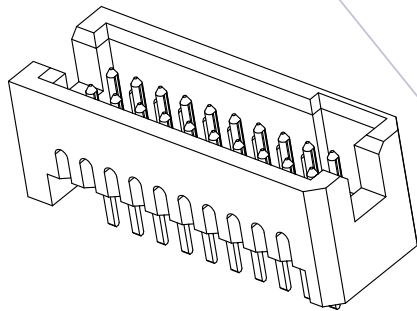


HSF

NOTES:
 Current Rating: 3.2AMP Per Pin(2 Pins Powered)
 Voltage Rating: 250VAC
 Contact Resistance: 30mΩ Max
 Withstand Voltage: 750V AC
 Insulation Resistance: 1000MΩ Min
 Operation Temperature: -55℃ to +125℃
 Contact Material: Copper Alloy
 Contact plating:
 xxu" Gold On Contact Area, (See Ordering Information)
 100u" Matte Tin On Solder Area
 50u" Nickel Underplating Overall
 Insulator And Cap Material: LCP,G.F,UL94V-0,Black

Recommended Process:
 Wave Soldering, Peak Temperature: 260±5℃
 For 5+/-1s

VOID ON HOUSING SIDE,
 JUST APPLIED FOR
 LEAD STYLE -01, -03



3D VIEW

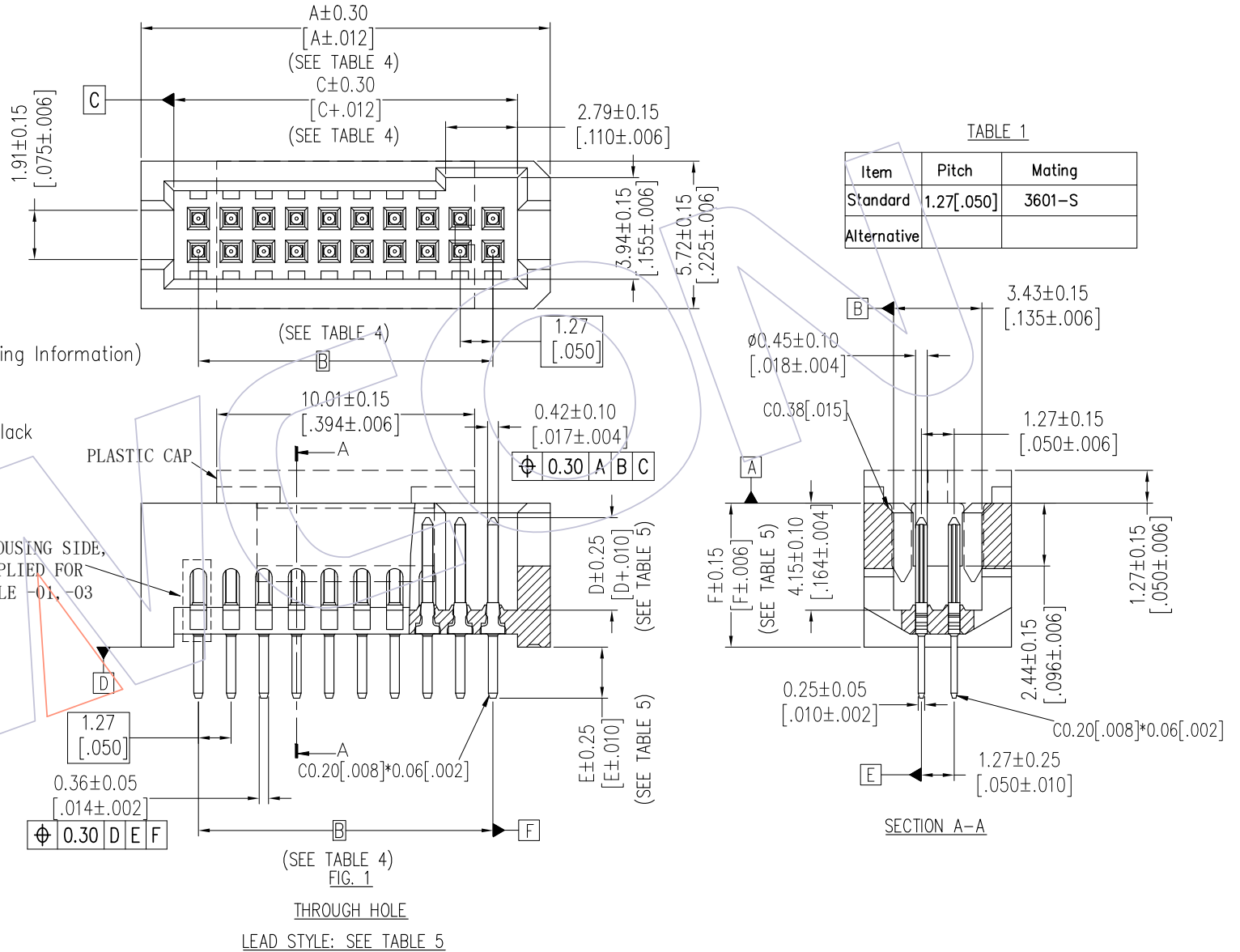


TABLE 1

Item	Pitch	Mating
Standard	1.27 [.050]	3601-S
Alternative		

REV	DATE	MODIFICATION DESCRIPTION	CHANGE	OPERATION	DRAW	DATE	SCALE	FIT	PART NO.
A1	2021/07/22	ADD THE PIN NUMBLE DESCRIPTION IN TABLE 3	YE XIAOBING	x.x ±0.40	YE XIAOBING	2021/07/22	UNIT	mm	3601-PXXX-AXXSXXXX1
AO	2020/12/05	NEW	Orwell	x.xx ±0.25	CHECK	DATE	SIZE	A4	TITLE: 1.27mm BTB Male Header W=5.72, -STD STYLE, DIP
				x.xxx ±0.15			SHEET	1/7	Customer NO.
				Angle ± 3°	APPROVE	DATE	PROJ.		
				DIM TOL					

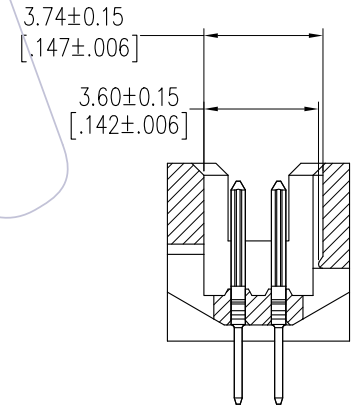
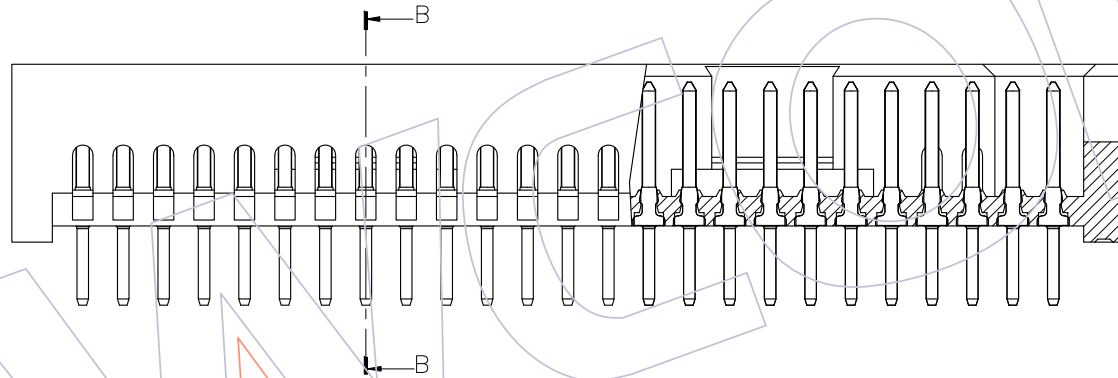
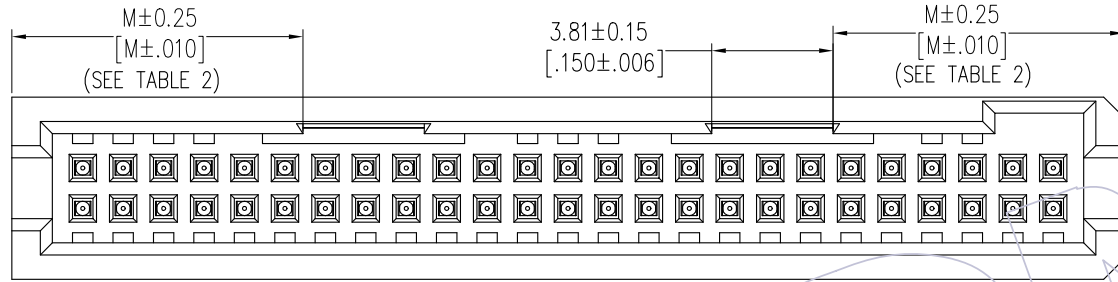
WCON

Http: www.wcon.com

WCON-Dongguan
 Tel: +86 769 85358920
 Fax: +86 769 85358915
 E-mail: sales@wcon.com

WCON-Kunshan
 Tel: +86 512 57468408
 Fax: +86 512 57468468
 E-mail: salesks@wcon.com

HSF



SECTION B-B

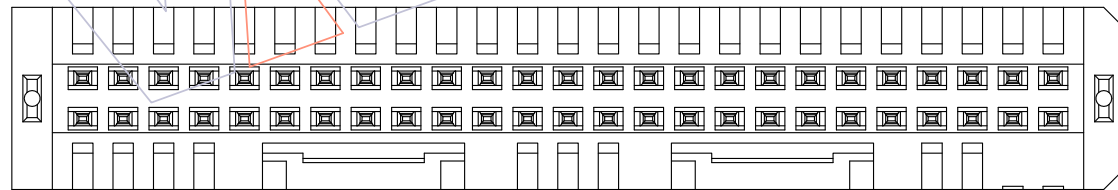


TABLE 2

NO. OF POS.	Dim.M
EVEN(EXCEPT 08)	7.87[.310]
ODD(EXCEPT 05, 07)	9.14[.360]
05, 07, 08	2.87[.113]

FIG. 2
HOUSING WITH LOCKING
POSITION 25 PER ROW
(SAME AS FIG.1, DIFFERENT AS SHOWN)

REV	DATE	MODIFICATION DESCRIPTION	CHANGE	OPERATION	DRAW	DATE	SCALE	FIT	PART NO.
A1	2021/07/22	ADD THE PIN NUMBLE DESCRIPTION IN TABLE 3	YE XIAOBING	x.x ±0.40	YE XIAOBING	2021/07/22	UNIT	mm	3601-PXXX-AXSXXXX1
AO	2020/12/05	NEW	Orwell	x.xx ±0.25	CHECK	DATE	SIZE	A4	TITLE: 1.27mm BTB Male Header W=5.72, -STD STYLE, DIP
				x.xxx ±0.15			SHEET	2/7	Customer NO.
				Angle ± 3°	APPROVE	DATE	PROJ.	⌀	
				DIM TOL					

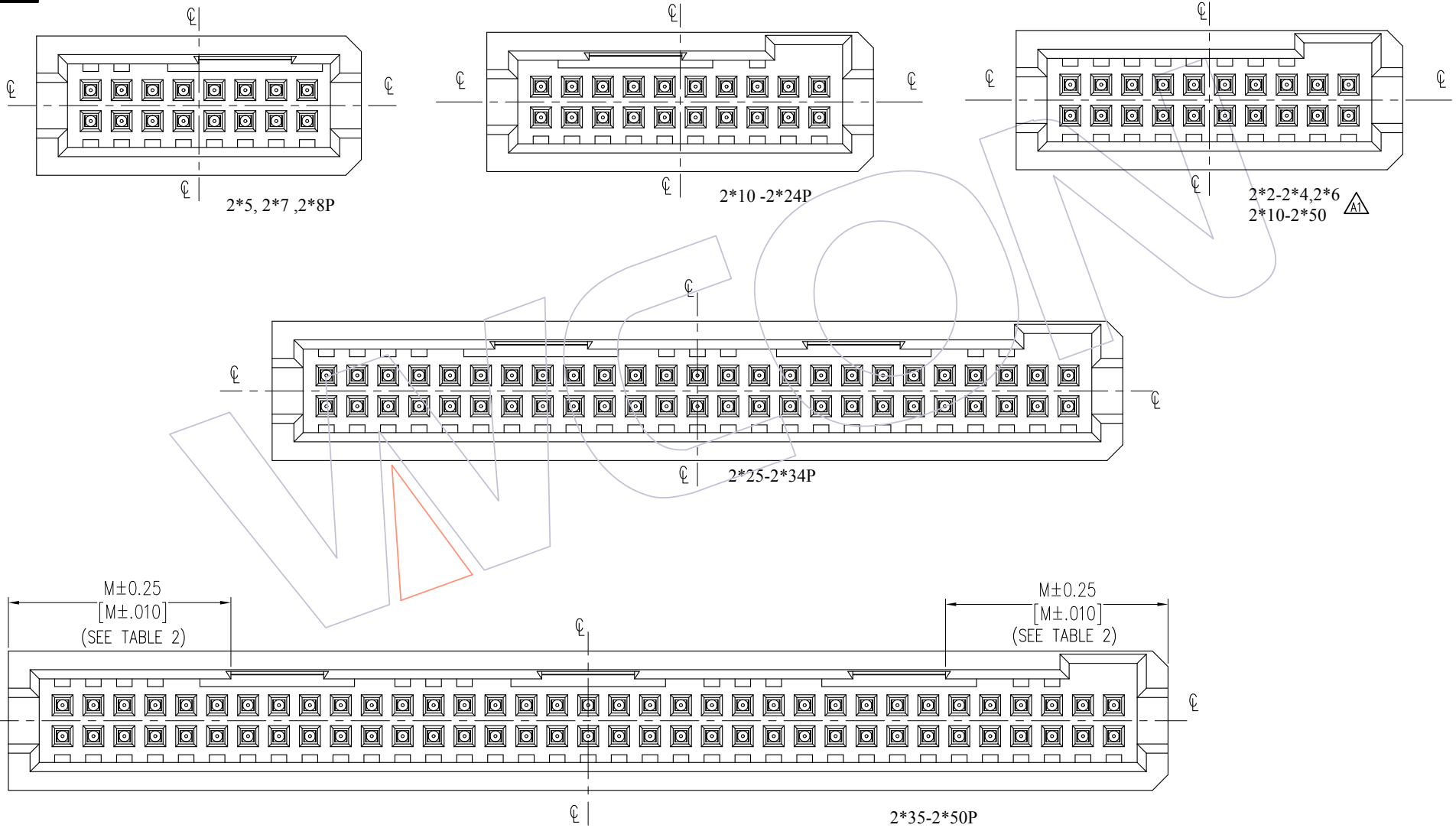
WCON

Http: www.wcon.com

WCON-Dongguan
Tel: +86 769 85358920
Fax: +86 769 85358915
E-mail: sales@wcon.com

WCON-Kunshan
Tel: +86 512 57468408
Fax: +86 512 57468468
E-mail: salesks@wcon.com

HSF



REV	DATE	MODIFICATION DESCRIPTION	CHANGE	OPERATION	DRAW	DATE	SCALE	FIT	PART NO.
A1	2021/07/22	ADD THE PIN NUMBLE DESCRIPTION IN TABLE 3	YE XIAOBING	x.x ±0.40	YE XIAOBING	2021/07/22	UNIT	mm	3601-PXXX-AXXSXXXX1
AO	2020/12/05	NEW	Orwell	x.xx ±0.25	CHECK	DATE	SIZE	A4	TITLE: 1.27mm BTB Male Header W=5.72, -STD STYLE, DIP
				x.xxx ±0.15	APPROVE	DATE	SHEET	3/7	Customer NO.
				Angle ± 3°			PROJ.	ϕ	
				DIM TOL					

WCON
Http: www.wcon.com

WCON-Dongguan
Tel: +86 769 85358920
Fax: +86 769 85358915
E-mail: sales@wcon.com

WCON-Kunshan
Tel: +86 512 57468408
Fax: +86 512 57468468
E-mail: salesks@wcon.com

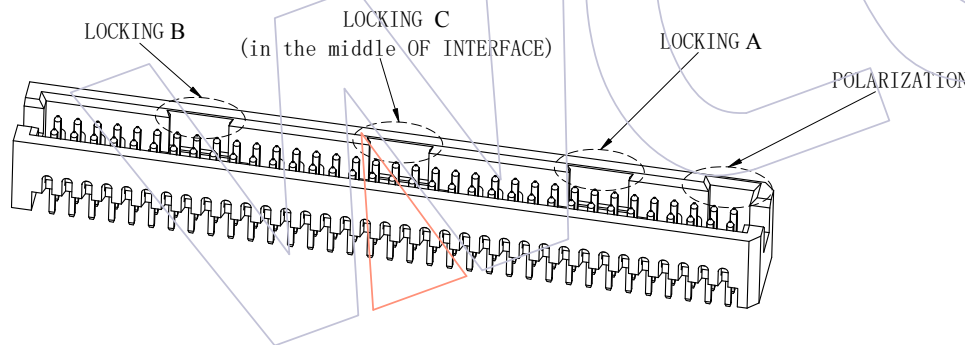
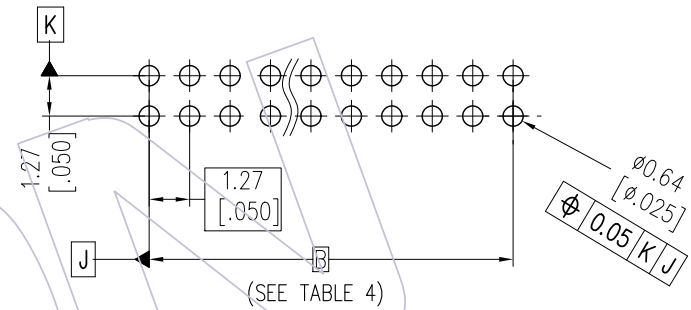
HSF

TABLE 3

No.	Pin Number (Per Row)	POLARIZATION	BUMP LOCKING A	BUMP LOCKING B	BUMP LOCKING C
3	2*5,2*7,2*8	NO	YES	NO	NO
2	2*10-2*24	YES	YES	NO	NO
2	2*25-2*34	YES	YES	YES	NO
2	2*35-2*50	YES	YES	YES	YES
1	2*10-2*50	YES	NO	NO	NO
1	2*2-2*4,2*6	YES	NO	NO	NO

⚠

Recommended P.C.B Layout(Top Side)
(PCB BOARD TOLERANCE±0.05)



			OPERATION		DRAW	DATE	SCALE	FIT	PART NO.	
			x.x	±0.40	YE XIAOBING	2021/07/22	UNIT	mm	3601-PXXX-AXXSXXXX1	
A1	2021/07/22	ADD THE PIN NUMBLE DESCRIPTION IN TABLE 3	x.xx	±0.25	CHECK	DATE	SIZE	A4	TITLE: 1.27mm BTB Male Header	
AO	2020/12/05	NEW	x.xxx	±0.15	APPROVE	DATE	SHEET	4/7	W=5.72, -STD STYLE, DIP	
REV	DATE	MODIFICATION DESCRIPTION	DIM	TOL			PROJ.	⌀	Customer NO.	

WCON

Http: www.wcon.com

WCON-Dongguan Tel: +86 769 85358920 Fax: +86 769 85358915 E-mail: sales@wcon.com	WCON-Kunshan Tel: +86 512 57468408 Fax: +86 512 57468468 E-mail: salesks@wcon.com
---	--

HSF

Ordering Information

3601 - P XXX- A X X S XX X X1

No. Of Pins: _____
04-100Pin
(See Table 4)

Housing Locking: _____
1=Without Locking+ Notch
2=With Locking+Notch, Just For
Housing Height 5.588mm
3=With Locking+No Notch, Just
For Housing Height 5.588mm
(SEE TABLE 3)

Housing Height: _____
1=5.588mm,
2=7.366mm,
3=9.144mm,
4=11.049mm,
(See Table 5)

Internal Code: _____
0= 180° DIP
Tail Length 1.98mm
1= 180° DIP
Tail Length 2.82mm
(See Table 5)

Packaging : _____
R=Tape & Reel+ Cap
T=Tube
P=Tube - Cap

Contact Plating: _____
W2=5u" Gold/Matte Tin,
W3=10u" Gold/Matte Tin,
W4=15u" Gold/Matte Tin,
W5=30u" Gold/Matte Tin,

TABLE 4:

PIN No.(HOUSING WITH LOCKING)	PIN No.(HOUSING WITHOUT LOCKING)	Part Number	DIM.A	DIM.B	DIM.C
NA	04	3601-P004-AXXSXXX1	5.72[.225]	1.27[.050]	3.18[.125]
NA	06	3601-P006-AXXSXXX1	6.99[.275]	2.54[.100]	4.45[.175]
NA	08	3601-P008-AXXSXXX1	8.26[.325]	3.81[.150]	5.72[.225]
10	10	3601-P010-AXXSXXX1	9.53[.375]	5.08[.200]	6.99[.275]
NA	12	3601-P012-AXXSXXX1	10.80[.425]	6.35[.250]	8.26[.325]
14	14	3601-P014-AXXSXXX1	12.07[.475]	7.62[.300]	9.53[.375]
16	16	3601-P016-AXXSXXX1	13.34[.525]	8.89[.350]	10.80[.425]
20	20	3601-P020-AXXSXXX1	15.88[.625]	11.43[.450]	13.34[.525]
30	30	3601-P030-AXXSXXX1	22.23[.875]	17.78[.700]	19.69[.775]
40	40	3601-P040-AXXSXXX1	28.58[1.125]	24.13[.950]	26.04[1.025]
50	50	3601-P050-AXXSXXX1	34.93[1.375]	30.48[1.200]	32.39[1.275]
60	60	3601-P060-AXXSXXX1	41.28[1.625]	36.83[1.450]	38.74[1.525]
70	70	3601-P070-AXXSXXX1	47.63[1.875]	43.18[1.700]	45.09[1.775]
80	80	3601-P080-AXXSXXX1	53.98[2.125]	49.53[1.950]	51.44[2.025]
90	90	3601-P090-AXXSXXX1	60.33[2.375]	55.88[2.200]	57.79[2.275]
100	100	3601-P100-AXXSXXX1	66.68[2.625]	62.23[2.450]	64.14[2.525]

TABLE 5:

LEAD STYLE	Part Number	DIM.F	DIM.D	DIM.E	DIM.G	Overall Length For Pin(Short)
-01	3601-PXXX-AX1SXXX01	5.588[.2200]	3.59[.142]	1.98[.078]	NA	7.01[.276]
-11	3601-PXXX-AX2SXXX01	7.366[.2900]	3.59[.142]	1.98[.078]	NA	8.79[.346]
-21	3601-PXXX-AX3SXXX01	9.144[.3600]	3.59[.142]	1.98[.078]	NA	10.57[.416]
-31	3601-PXXX-AX4SXXX01	11.049[.4350]	3.59[.142]	1.98[.078]	NA	12.47[.491]
-03	3601-PXXX-AX1SXXX11	5.588[.2200]	3.59[.142]	2.82[.111]	NA	7.85[.309]
-13	3601-PXXX-AX2SXXX11	7.366[.2900]	3.59[.142]	2.82[.111]	NA	9.63[.379]
-23	3601-PXXX-AX3SXXX11	9.144[.3600]	3.59[.142]	2.82[.111]	NA	11.41[.449]

REV	DATE	MODIFICATION DESCRIPTION	CHANGE	OPERATION		DRAW	DATE	SCALE	FIT	PART NO.	TITLE:	WCON	
				x.x	±0.40							YE XIAOBING	2021/07/22
A1	2021/07/22	ADD THE PIN NUMBLE DESCRIPTION IN TABLE 3	YE XIAOBING	x.xx	±0.25	CHECK	DATE	SIZE	A4	3601-PXXX-AXXSXXX1	1.27mm BTB Male Header W=5.72, -STD STYLE, DIP	WCON-Dongguan Tel: +86 769 85358920 Fax: +86 769 85358915 E-mail: sales@wcon.com	WCON-Kunshan Tel: +86 512 57468408 Fax: +86 512 57468468 E-mail: salesks@wcon.com
AO	2020/12/05	NEW	Orwell	x.xxx	±0.15	APPROVE	DATE	SHEET	5/7				
				Angle	± 3'			PROJ.		Customer NO.			

HSF

TABLE 6:

3601-PS LEAD STYLE	ASS'Y HIGH(H)		MALE	FEMALE	WIPE	
	3601-SS LEAD STYLE				H1	H2
	-01, -03					
	FULLY MATED	MAX				
-01	6.02 [.237]	6.48 [.255]	5.59 [.220]	4.57 [.180]	0.84 [.033]	0.38 [.015]
-03	6.02 [.237]	6.48 [.255]	5.59 [.220]	4.57 [.180]	0.84 [.033]	0.38 [.015]
-11	7.80 [.307]	8.26 [.325]	7.37 [.290]	4.57 [.180]	0.84 [.033]	0.38 [.015]
-13	7.80 [.307]	8.26 [.325]	7.37 [.290]	4.57 [.180]	0.84 [.033]	0.38 [.015]
-21	9.58 [.377]	10.04 [.395]	9.14 [.360]	4.57 [.180]	0.84 [.033]	0.38 [.015]
-23	9.58 [.377]	10.04 [.395]	9.14 [.360]	4.57 [.180]	0.84 [.033]	0.38 [.015]
-31	11.48 [.452]	11.94 [.470]	11.05 [.435]	4.57 [.180]	0.84 [.033]	0.38 [.015]

3601-PS MATED WITH 3601-SS

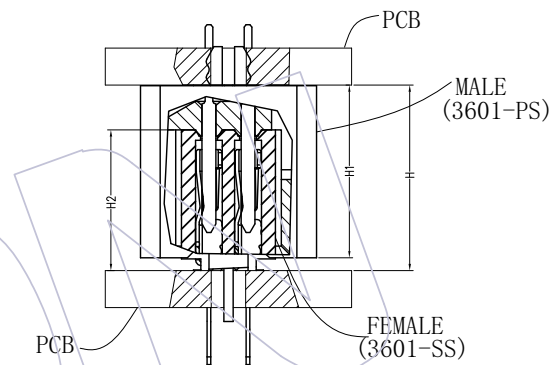
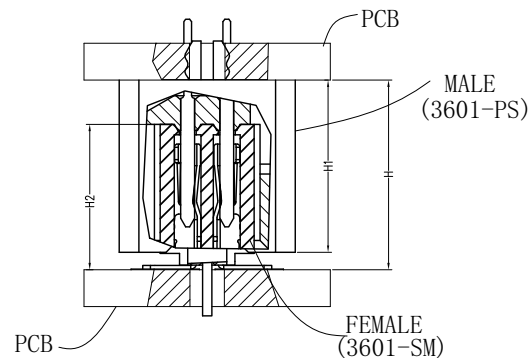


TABLE 7:

3601-PS LEAD STYLE	ASS'Y HIGH(H)		MALE	FEMALE	WIPE	
	3601-SM LEAD STYLE				H1	H2
	-02					
	FULLY MATED	MAX				
-01	6.15 [.242]	6.60 [.260]	5.59 [.220]	4.83 [.190]	0.84 [.033]	0.38 [.015]
-03	6.15 [.242]	6.60 [.260]	5.59 [.220]	4.83 [.190]	0.84 [.033]	0.38 [.015]
-11	7.93 [.312]	8.31 [.327]	7.37 [.290]	4.83 [.190]	0.84 [.033]	0.38 [.015]
-13	7.93 [.312]	8.31 [.327]	7.37 [.290]	4.83 [.190]	0.84 [.033]	0.38 [.015]
-21	9.70 [.382]	10.15 [.400]	9.14 [.360]	4.83 [.190]	0.84 [.033]	0.38 [.015]
-23	9.70 [.382]	10.15 [.400]	9.14 [.360]	4.83 [.190]	0.84 [.033]	0.38 [.015]
-31	11.61 [.457]	12.06 [.475]	11.05 [.435]	4.83 [.190]	0.84 [.033]	0.38 [.015]

3601-PS MATED WITH 3601-SM

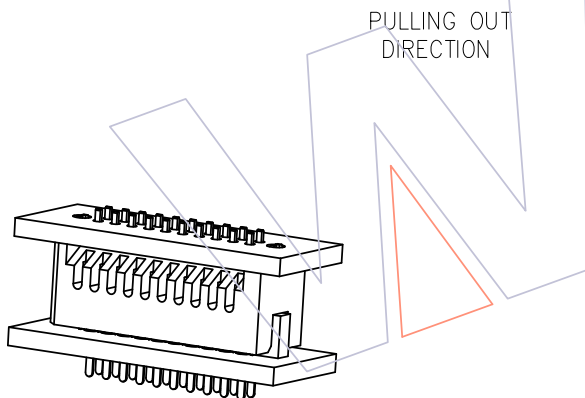
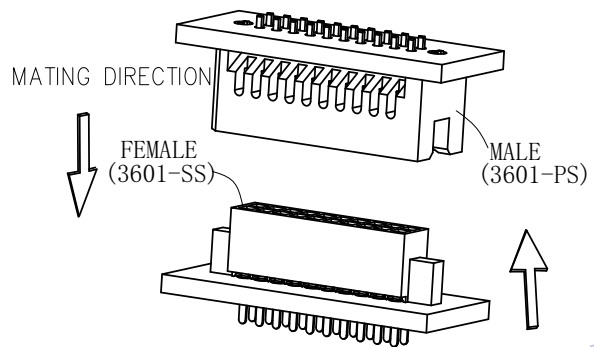


REV	DATE	MODIFICATION DESCRIPTION	CHANGE	OPERATION		DRAW YE XIAOBING	DATE 2021/07/22	SCALE	FIT	PART NO. 3601-PXXX-AXSXXXX1	TITLE: 1.27mm BTB Male Header W=5.72, -STD STYLE, DIP	WCON	
				x.x	±0.40							Http: www.wcon.com	
A1	2021/07/22	ADD THE PIN NUMBLE DESCRIPTION IN TABLE 3	YE XIAOBING	x.xx	±0.25	CHECK	DATE	UNIT	mm inch			WCON-Dongguan	WCON-Kunshan
AO	2020/12/05	NEW	Orwell	x.xxx	±0.15	APPROVE	DATE	SIZE	A4			Tel: +86 769 85358920	Tel: +86 512 57468408
				Angle	± 3'					SHEET	6/7		
				DIM	TOL			PROJ.	⌀	Customer NO.		E-mail: sales@wcon.com	E-mail: salesks@wcon.com

HSF

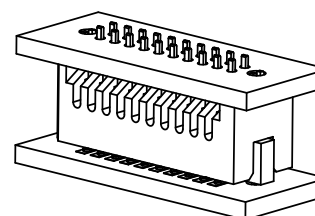
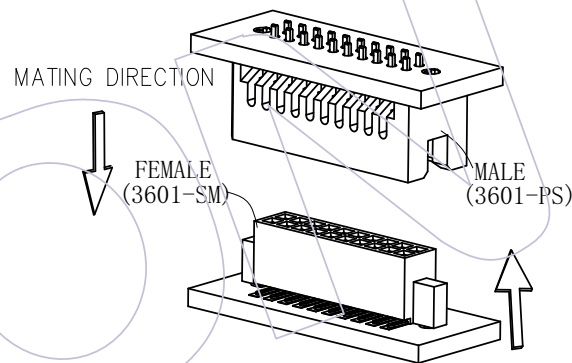
DYNAMIC USE HINT:

3601-PS MATED WITH 3601-SS




ASSEMBLY COMPLETION STATUS

3601-PS MATED WITH 3601-SM



ASSEMBLY COMPLETION STATUS

				OPERATION		DRAW YE XIAOBING	DATE 2021/07/22	SCALE	FIT	PART NO. 3601-PXXX-AXXSXXXX1	 Http: www.wcon.com
				X.X	±0.40						
A1	2021/07/22	ADD THE PIN NUMBLE DESCRIPTION IN TABLE 3	YE XIAOBING	X.XX	±0.25	APPROVE	DATE	SHEET 7/7	Customer NO.	WCON-Kunshan Tel: +86 512 57468408 Fax: +86 512 57468468 E-mail: salesks@wcon.com	
AO	2020/12/05	NEW	Orwell	X.XXX	±0.15						DIM
REV	DATE	MODIFICATION DESCRIPTION	CHANGE								