

# HSF

NOTES:  
 Current Rating: 3.2AMP Per Pin(2 Pins Powered)  
 Voltage Rating: 250VAC  
 Contact Resistance: 30mΩ Max  
 Withstand Voltage: 750V AC  
 Insulation Resistance: 1000MΩ Min  
 Operation Temperature: -55℃ to +125℃

Contact Material: Copper Alloy  
 Contact plating:  
 xxu" Gold On Contact Area, (See Ordering Information)  
 100u" Matte Tin On Solder Area  
 50u" Nickel Underplating Overall  
 Insulator And Cap Material: LCP,G.F,UL94V-0,Black

Recommended Process:  
 Reflow Soldering, Peak Temperature: 260±5℃  
 For 10+/-1s

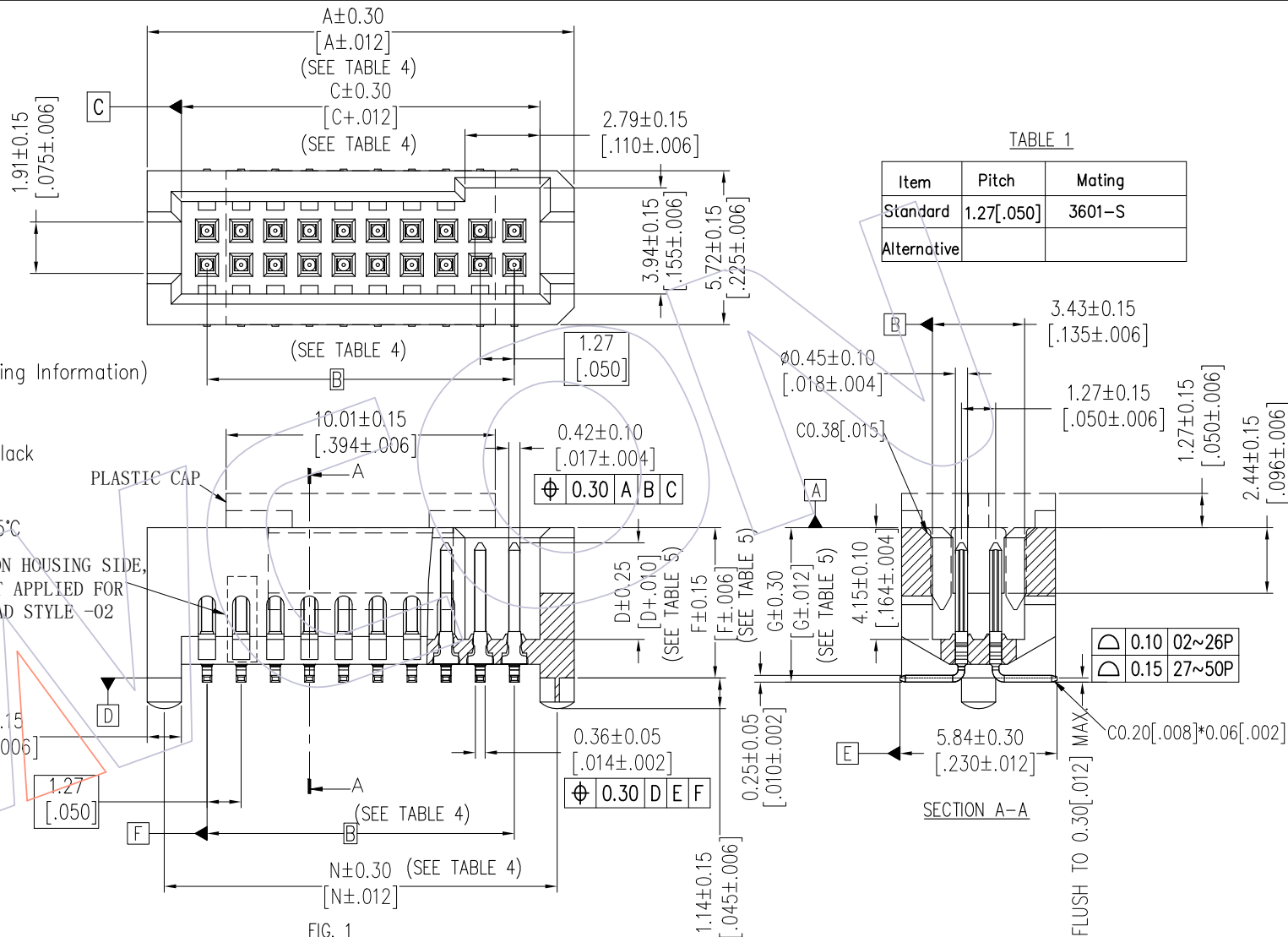
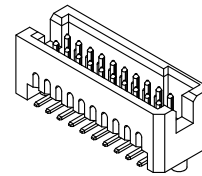


TABLE 1


Item	Pitch	Mating
Standard	1.27[.050]	3601-S
Alternative		

△ 0.10	02~26P
△ 0.15	27~50P

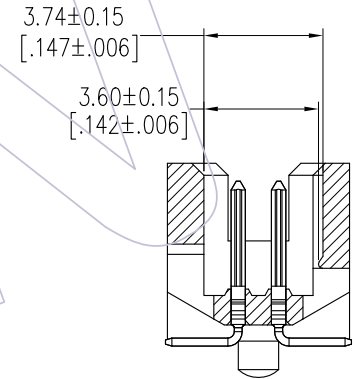
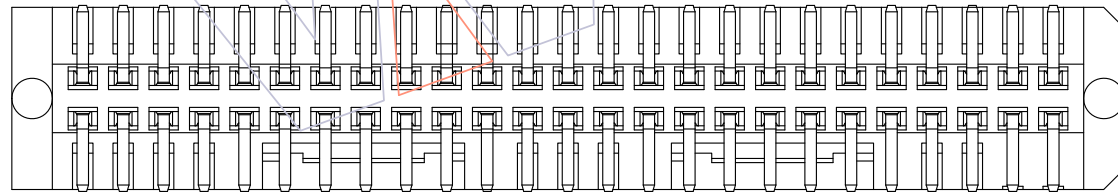
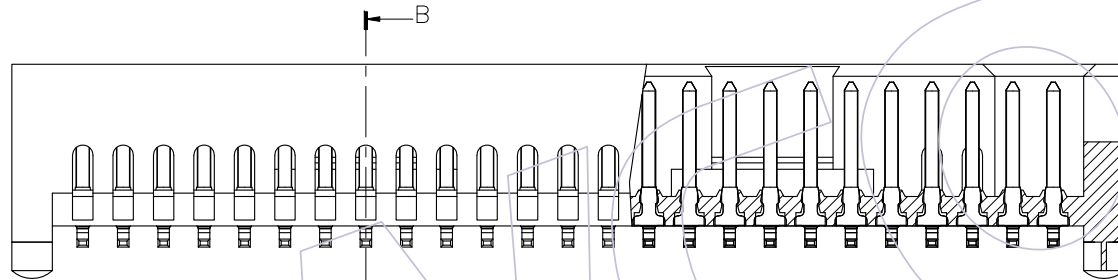
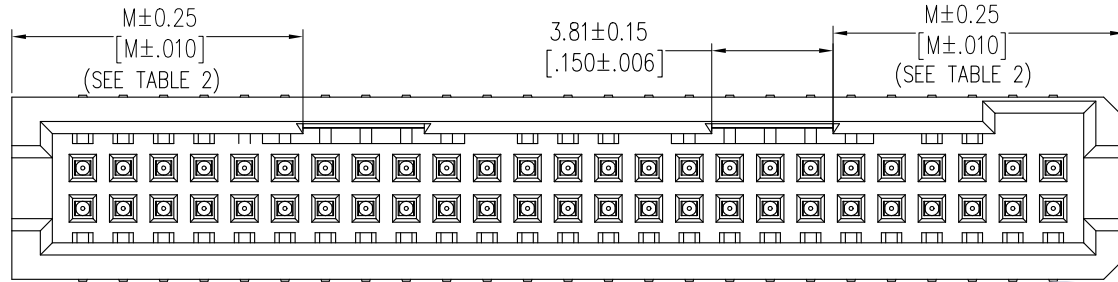


3D VIEW

FIG. 1  
 SURFACE MOUNT  
 LEAD STYLE: SEE TABLE 5

				OPERATION	DRAW	DATE	SCALE	FIT	PART NO.	 Http: www.wcon.com
				x.x ±0.40	YE XIAOBING	2021/07/22	UNIT	mm	3601-PXXX-BXXMXXX01	
A1	2021/07/22	ADD THE PIN NUMBLE DESCRIPTION IN TABLE 3	YE XIAOBING	x.xx ±0.25	CHECK	DATE	SIZE	A4	TITLE: 1.27mm BTB Male Header	WCON-Dongguan Tel: +86 769 85358920 Fax: +86 769 85358915 E-mail: sales@wcon.com
AO	2020/12/05	NEW	Orwell	x.xxx ±0.15			SHEET	1/7	W=5.72, -A STYLE, SMT	
REV	DATE	MODIFICATION DESCRIPTION	CHANGE	Angle ± 3°	APPROVE	DATE	PROJ.	Customer NO.		
				DIM TOL						

**HSF**



SECTION B-B

TABLE 2

NO. OF POS.	Dim.M
EVEN(EXCEPT 08)	7.87[.310]
ODD(EXCEPT 05, 07)	9.14[.360]
05, 07, 08	2.87[.113]

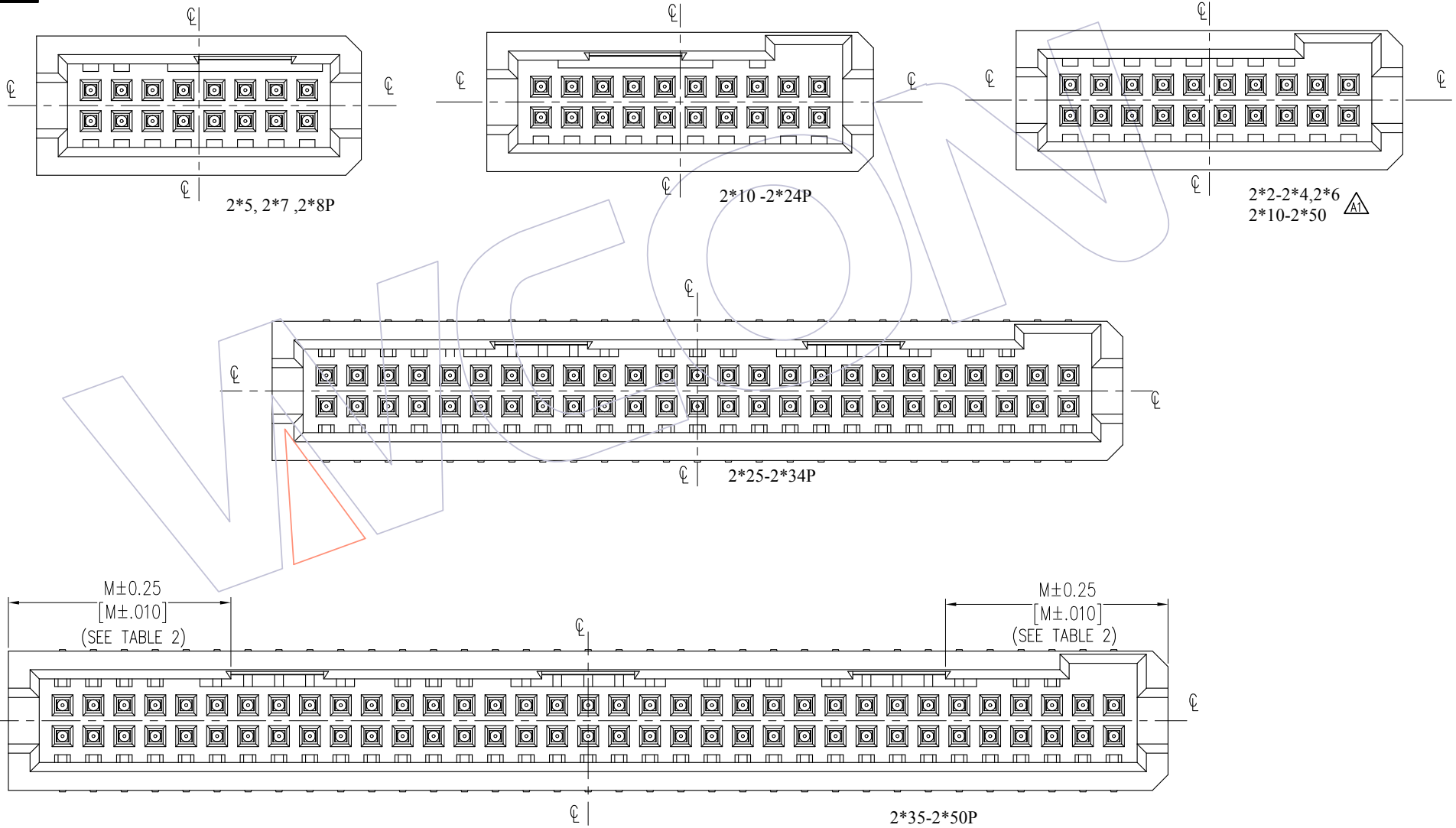
FIG. 2  
HOUSING WITH LOCKING  
POSITION 25 PER ROW  
(SAME AS FIG.1, DIFFERENT AS SHOWN)

REV	DATE	MODIFICATION DESCRIPTION	CHANGE	OPERATION	DRAW	DATE	SCALE	FIT	PART NO.
A1	2021/07/22	ADD THE PIN NUMBLE DESCRIPTION IN TABLE 3	YE XIAOBING	x.x ±0.40	YE XIAOBING	2021/07/22	UNIT	mm	3601-PXXX-BXXMXXX01
AO	2020/12/05	NEW	Orwell	x.xx ±0.25	CHECK	DATE	SIZE	A4	TITLE: 1.27mm BTB Male Header W=5.72, -A STYLE, SMT
				x.xxx ±0.15			SHEET	2/7	Customer NO.
				Angle ± 3°	APPROVE	DATE	PROJ.		
				DIM TOL					

**WCON**  
Http: www.wcon.com

WCON-Dongguan Tel: +86 769 85358920 Fax: +86 769 85358915 E-mail: sales@wcon.com	WCON-Kunshan Tel: +86 512 57468408 Fax: +86 512 57468468 E-mail: salesks@wcon.com
---	--

# HSF



REV	DATE	MODIFICATION DESCRIPTION	CHANGE	OPERATION	DRAW	DATE	SCALE	FIT	PART NO.
A1	2021/07/22	ADD THE PIN NUMBLE DESCRIPTION IN TABLE 3	YE XIAOBING	x.x ±0.40	YE XIAOBING	2021/07/22	UNIT	mm	3601-PXXX-BXXMXXX01
AO	2020/12/05	NEW	Orwell	x.xx ±0.25	CHECK	DATE	SIZE	A4	TITLE: 1.27mm BTB Male Header W=5.72, -A STYLE, SMT
				x.xxx ±0.15	APPROVE	DATE	SHEET	3/7	Customer NO.
				Angle ± 3°			PROJ.	$\phi$	
				DIM TOL					

**WCON**  
Http: [www.wcon.com](http://www.wcon.com)

WCON-Dongguan  
Tel: +86 769 85358920  
Fax: +86 769 85358915  
E-mail: [sales@wcon.com](mailto:sales@wcon.com)

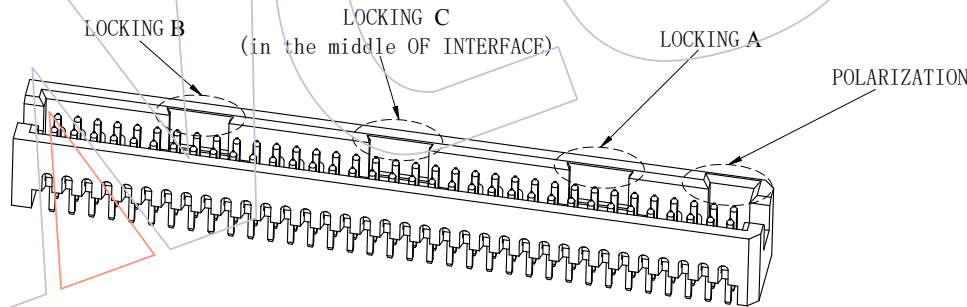
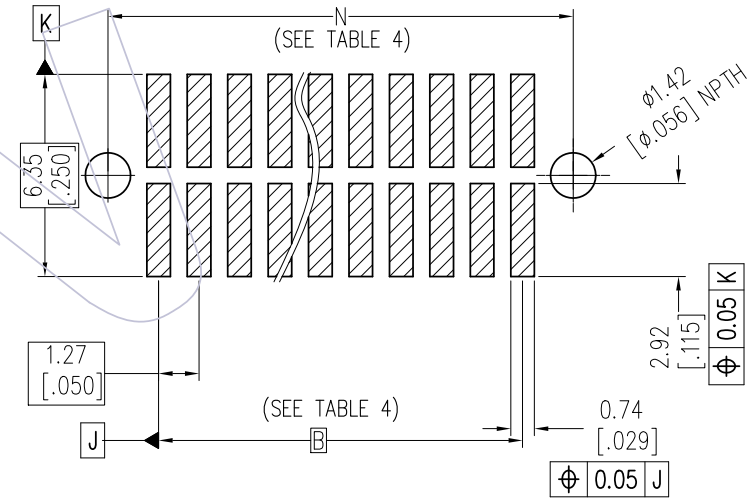
WCON-Kunshan  
Tel: +86 512 57468408  
Fax: +86 512 57468468  
E-mail: [salesks@wcon.com](mailto:salesks@wcon.com)


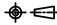
# HSF

TABLE 3

No.	Pin Number (Per Row)	POLARIZATION	BUMP LOCKING A	BUMP LOCKING B	BUMP LOCKING C
3	2*5,2*7,2*8	NO	YES	NO	NO
2	2*10-2*24	YES	YES	NO	NO
2	2*25-2*34	YES	YES	YES	NO
2	2*35-2*50	YES	YES	YES	YES
1	2*10-2*50	YES	NO	NO	NO
$\triangle$ 1	2*2-2*4,2*6	YES	NO	NO	NO

Recommended P.C.B Layout(Top Side)  
(PCB BOARD TOLERANCE $\pm$ 0.05)



REV	DATE	MODIFICATION DESCRIPTION	CHANGE	OPERATION	DRAW	DATE	SCALE	FIT	PART NO.	 Http: www.wcon.com
A1	2021/07/22	ADD THE PIN NUMBLE DESCRIPTION IN TABLE 3	YE XIAOBING	x.x ±0.40	YE XIAOBING	2021/07/22	UNIT	mm	3601-PXXX-BXXMXXX01	
AO	2020/12/05	NEW	Orwell	x.xx ±0.25	CHECK	DATE	SIZE	A4	TITLE: 1.27mm BTB Male Header W=5.72, -A STYLE, SMT	WCON-Dongguan Tel: +86 769 85358920 Fax: +86 769 85358915 E-mail: sales@wcon.com
				x.xxx ±0.15	APPROVE	DATE	SHEET	4/7	Customer NO.	WCON-Kunshan Tel: +86 512 57468408 Fax: +86 512 57468468 E-mail: salesks@wcon.com
				Angle ± 3°			PROJ.			
				DIM TOL						

# HSF

## Ordering Information

3601 - P XXX- B X X M XX X 01

No. Of Pins: \_\_\_\_\_  
 04-100Pin  
 (See Table 4)

Housing Locking: \_\_\_\_\_  
 1=Without Locking+ Notch  
 2=With Locking+Notch, Just For  
 Housing Height 5.588mm  
 3=With Locking+No Notch, Just  
 For Housing Height 5.588mm  
 (SEE TABLE 3)

Housing Height: \_\_\_\_\_  
 1=5.588mm,  
 2=7.366mm,  
 3=9.144mm,  
 4=11.049mm,  
 (See Table 5)

Packaging : \_\_\_\_\_  
 R=Tape & Reel+ Cap  
 T=Tube  
 P=Tube + Cap

Contact Plating: \_\_\_\_\_  
 W2=5u" Gold/Matte Tin,  
 W3=10u" Gold/Matte Tin,  
 W4=15u" Gold/Matte Tin,  
 W5=30u" Gold/Matte Tin,

TABLE 4:

PIN No.(HOUSING WITH LOCKING)	PIN No.(HOUSING WITHOUT LOCKING)	Part Number	DIM.A	DIM.B	DIM.C	DIM.N
NA	04	3601-P004-BXXMXXX01	5.72[.225]	1.27[.050]	3.18[.125]	4.45[.175]
NA	06	3601-P006-BXXMXXX01	6.99[.275]	2.54[.100]	4.45[.175]	5.72[.225]
NA	08	3601-P008-BXXMXXX01	8.26[.325]	3.81[.150]	5.72[.225]	6.99[.275]
10	10	3601-P010-BXXMXXX01	9.53[.375]	5.08[.200]	6.99[.275]	8.26[.325]
NA	12	3601-P012-BXXMXXX01	10.80[.425]	6.35[.250]	8.26[.325]	9.53[.375]
14	14	3601-P014-BXXMXXX01	12.07[.475]	7.62[.300]	9.53[.375]	10.80[.425]
16	16	3601-P016-BXXMXXX01	13.34[.525]	8.89[.350]	10.80[.425]	12.07[.475]
20	20	3601-P020-BXXMXXX01	15.88[.625]	11.43[.450]	13.34[.525]	14.61[.575]
30	30	3601-P030-BXXMXXX01	22.23[.875]	17.78[.700]	19.69[.775]	20.96[.825]
40	40	3601-P040-BXXMXXX01	28.58[1.125]	24.13[.950]	26.04[1.025]	27.31[1.075]
50	50	3601-P050-BXXMXXX01	34.93[1.375]	30.48[1.200]	32.39[1.275]	33.66[1.325]
60	60	3601-P060-BXXMXXX01	41.28[1.625]	36.83[1.450]	38.74[1.525]	40.01[1.575]
70	70	3601-P070-BXXMXXX01	47.63[1.875]	43.18[1.700]	45.09[1.775]	46.36[1.825]
80	80	3601-P080-BXXMXXX01	53.98[2.125]	49.53[1.950]	51.44[2.025]	52.71[2.075]
90	90	3601-P090-BXXMXXX01	60.33[2.375]	55.88[2.200]	57.79[2.275]	59.06[2.325]
100	100	3601-P100-BXXMXXX01	66.68[2.625]	62.23[2.450]	64.14[2.525]	65.41[2.575]

TABLE 5:

LEAD STYLE	Part Number	DIM.F	DIM.D	DIM.E	DIM.G	Overall Length For Pin(Short)
-02	3601-PXXX-BX1MXXX01	5.588[.2200]	3.59[.142]	NA	5.74[.226]	7.12[.280]
-12	3601-PXXX-BX2MXXX01	7.366[.2900]	3.59[.142]	NA	7.52[.296]	8.90[.350]
-22	3601-PXXX-BX3MXXX01	9.144[.3600]	3.59[.142]	NA	9.30[.366]	10.68[.420]
-32	3601-PXXX-BX4MXXX01	11.049[.4350]	3.59[.142]	NA	11.20[.441]	12.58[.495]

REV	DATE	MODIFICATION DESCRIPTION	CHANGE	OPERATION		DRAW	DATE	SCALE	FIT	PART NO.	TITLE:	WCON	
				x.x	±0.40							YE XIAOBING	2021/07/22
A1	2021/07/22	ADD THE PIN NUMBLE DESCRIPTION IN TABLE 3	YE XIAOBING	x.xx	±0.25	CHECK	DATE	SIZE	A4	3601-PXXX-BXXMXXX01	1.27mm BTB Male Header W=5.72, -A STYLE, SMT	WCON-Dongguan Tel: +86 769 85358920 Fax: +86 769 85358915 E-mail: sdles@wcon.com	WCON-Kunshan Tel: +86 512 57468408 Fax: +86 512 57468468 E-mail: sdlesks@wcon.com
AO	2020/12/05	NEW	Orwell	x.xxx	±0.15			SHEET	5/7				
				Angle	± 3'	APPROVE	DATE	PROJ.	⌀	Customer NO.			

TABLE 6:

	ASS'Y HIGH(H)		MALE	FEMALE	WIPE		
	3601-SS LEAD STYLE		H1	H2	FULLY MATED	MIN @ H MAX	
	-01, -03						
	FULLY MATED	MAX					
3601-PM LEAD STYLE	-02	6.17[.243]	6.63[.261]	5.74[.226]	4.57[.180]	0.84[.033]	0.38[.015]
	-12	7.95[.313]	8.41[.331]	7.52[.296]	4.57[.180]	0.84[.033]	0.38[.015]
	-22	9.73[.383]	10.19[.401]	9.30[.366]	4.57[.180]	0.84[.033]	0.38[.015]
	-32	11.63[.458]	12.09[.476]	11.20[.444]	4.57[.180]	0.84[.033]	0.38[.015]

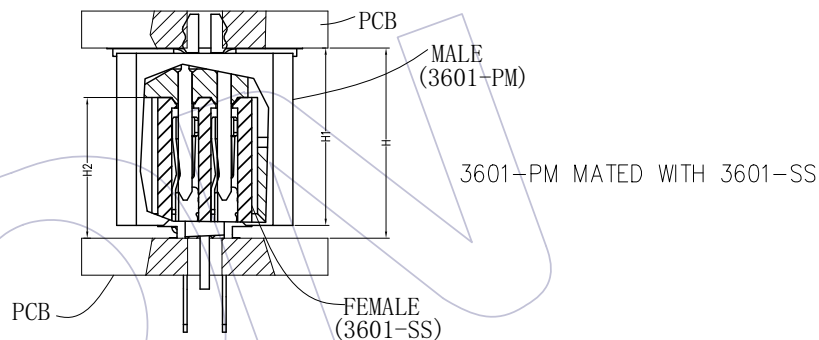
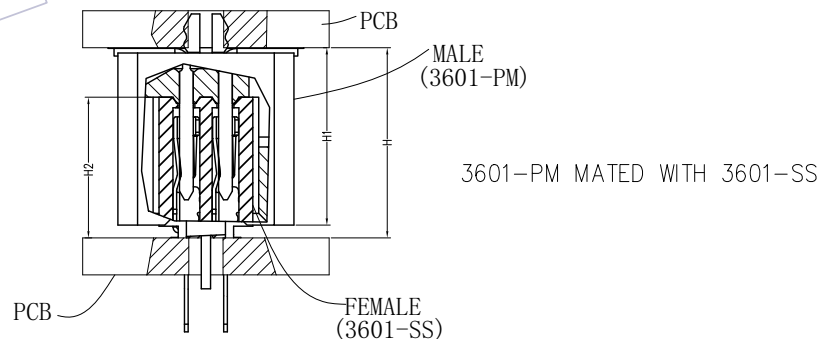

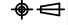


TABLE 7:

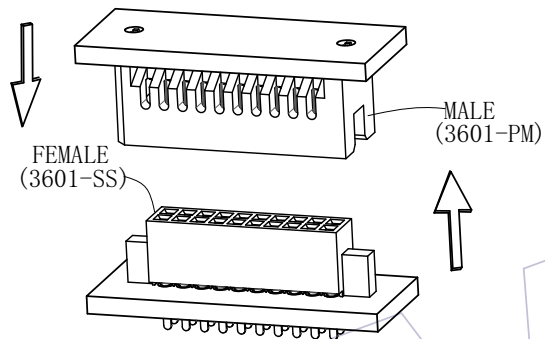
	ASS'Y HIGH(H)		MALE	FEMALE	WIPE		
	3601-SM LEAD STYLE		H1	H2	FULLY MATED	MIN @ H MAX	
	-02						
	FULLY MATED	MAX					
3601-PM LEAD STYLE	-02	6.30[.248]	6.76[.266]	5.74[.226]	4.83[.190]	0.84[.033]	0.38[.015]
	-12	8.08[.318]	8.54[.336]	7.52[.296]	4.83[.190]	0.84[.033]	0.38[.015]
	-22	9.86[.388]	10.32[.406]	9.30[.366]	4.83[.190]	0.84[.033]	0.38[.015]
	-32	11.76[.463]	12.22[.481]	11.20[.444]	4.83[.190]	0.84[.033]	0.38[.015]



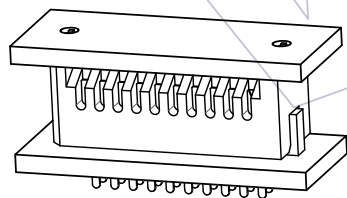
REV	DATE	MODIFICATION DESCRIPTION	CHANGE	OPERATION		DRAW YE XIAOBING	DATE 2021/07/22	SCALE	FIT	PART NO. 3601-PXXX-BXXMXX01	TITLE: 1.27mm BTB Male Header W=5.72, -A STYLE, SMT	 <a href="http://www.wcon.com">Http: www.wcon.com</a>	
				X.X	±0.40								
A1	2021/07/22	ADD THE PIN NUMBLE DESCRIPTION IN TABLE 3	YE XIAOBING	X.XX	±0.25	CHECK	DATE	SIZE	A4	Customer NO.	WCON-Dongguan	WCON-Kunshan	
AO	2020/12/05	NEW	Orwell	X.XXX	±0.15	APPROVE	DATE	SHEET	6/7		Tel: +86 769 85358920	Tel: +86 512 57468408	
				Angle	± 3'			PROJ.			Fax: +86 769 85358915	Fax: +86 512 57468468	
				DIM	TOL						E-mail: sales@wcon.com	E-mail: salesks@wcon.com	

3601-PM MATED WITH 3601-SS

MATING DIRECTION



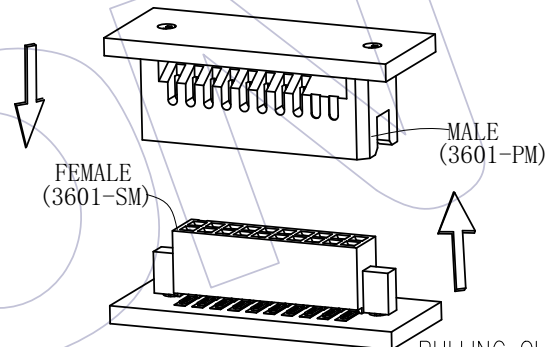
PULLING OUT DIRECTION



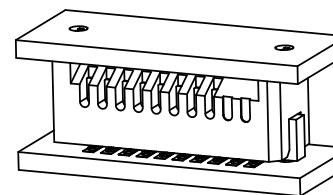
ASSEMBLY COMPLETION STATUS

3601-PM MATED WITH 3601-SM


MATING DIRECTION



PULLING OUT DIRECTION



ASSEMBLY COMPLETION STATUS

				OPERATION	DRAW	DATE	SCALE	FIT	PART NO.	 <a href="http://www.wcon.com">Http: www.wcon.com</a> WCON-Dongguan Tel: +86 769 85358920 WCON-Kunshan Tel: +86 512 57468408 Fax: +86 769 85358915 Fax: +86 512 57468468 E-mail: sales@wcon.com E-mail: salesks@wcon.com
				X.X ±0.40	YE XIAOBING	2021/07/22	UNIT	mm inch	3601-PXXX-BXXMXX01	
A1	2021/07/22	ADD THE PIN NUMBLE DESCRIPTION IN TABLE 3	YE XIAOBING	X.XX ±0.25	CHECK	DATE	SIZE	A4	TITLE:	
AO	2020/12/05	NEW	Orwell	X.XXX ±0.15	APPROVE	DATE	SHEET	7/7	1.27mm BTB Male Header W=5.72, -A STYLE, SMT	
REV	DATE	MODIFICATION DESCRIPTION	CHANGE	Angle ± 3'			PROJ.	Customer NO.		
				DIM TOL						