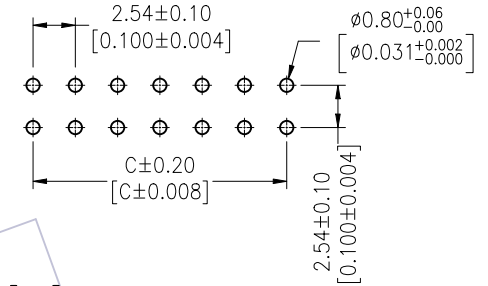
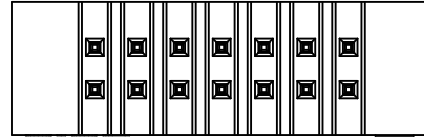


# HSF

NOTES:  
 Rated Current:1.0AMP  
 Rated Voltage:250V  
 Contact Resistance:15mΩ max  
 Withstand Voltage:500V AC/DC  
 Insulation Resistance:1000MΩ min  
 Operation Temperature:-40°C to +105°C

Housing Material:PBT+30%GF(UL94V-0)  
 Contact Material:Brass  
 Contact plating:Au or Sn over Ni Plated

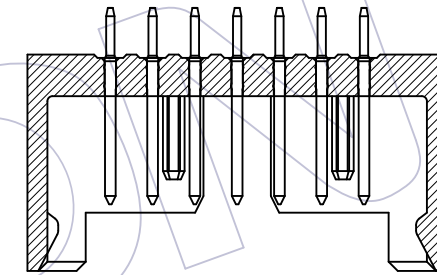
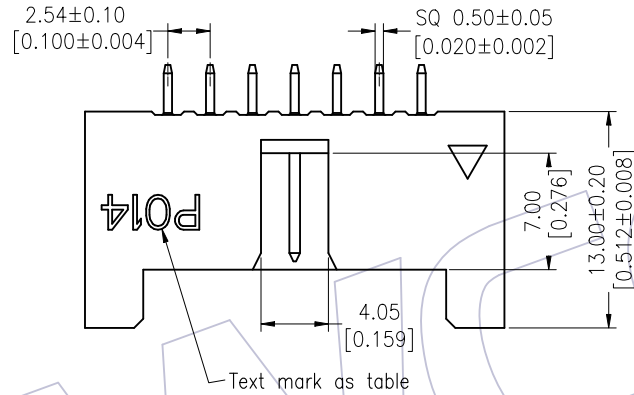
Recommended P.C.B Layout(Top Side)  
 (PCB BOARD TOLERANCE±0.05 T=1.6/2.0)



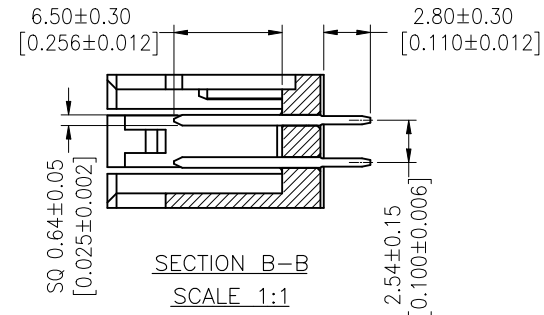
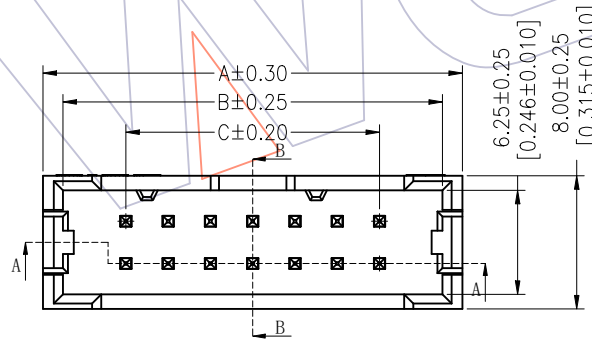
## Ordering Information

3114-XX S XX B K00 X 1

No.of Pins	Contact Plating	Color Insulator	Packing:
14P	G0=Gold Flash	B=Black	A=Tray
16P	G3=10u"Gold		T=Tube
20P	G4=15u"Gold		
24P	G5=30u"Gold		
26P	S0=Gold Flash/Tin		
30P	S3=10u"Gold/Tin		
34P	S4=15u"Gold/Tin		
40P	S5=30u"Gold/Tin		
	SN=Tin		



SECTION A-A  
SCALE 1:1



SECTION B-B  
SCALE 1:1

TEXT MARK	No.Of POSITION	DIM.A	DIM.B	DIM.C
P014	14	25.20	22.80	15.24
P016	16	27.74	25.34	17.78
P020	20	32.82	30.42	22.86
P024	24	37.90	35.50	27.94
P026	26	40.44	38.04	30.48
P030	30	45.52	43.12	35.56
P034	34	50.60	48.20	40.64
P040	40	58.22	55.82	48.26



REV	DATE	MODIFICATION DESCRIPTION	CHANGE	OPERATION	DRAW	DATE	SCALE	FIT	PART NO.
A1	2021/03/05	Add No. of Pins	Du Ying	X.X ±0.40	Du Ying	2021/03/05	UNIT	mm	3114-XXSXXBK00X1
A0	2014/11/17	NEW	Allen	X.XX ±0.25	CHECK	DATE	inch	TITLE:	
				X.XXX ±0.15	APPROVE	DATE	SHEET	1/1	2.54mm BOX HEADER H=13.0 180° DIP
				Angle ± 3'			PROJ.	Customer NO.	
				DIM TOL					

# WCON

Http: www.wcon.com

WCON-Dongguan Tel: +86 769 85358920  
 WCON-Kunshan Tel: +86 512 57468408  
 Fax: +86 769 85358915  
 Fax: +86 512 57468468  
 E-mail: sales@wcon.com  
 E-mail: salesks@wcon.com