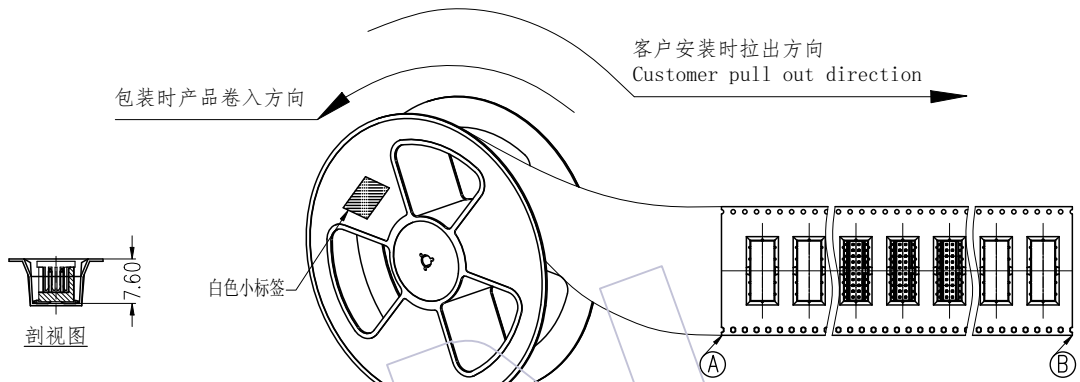
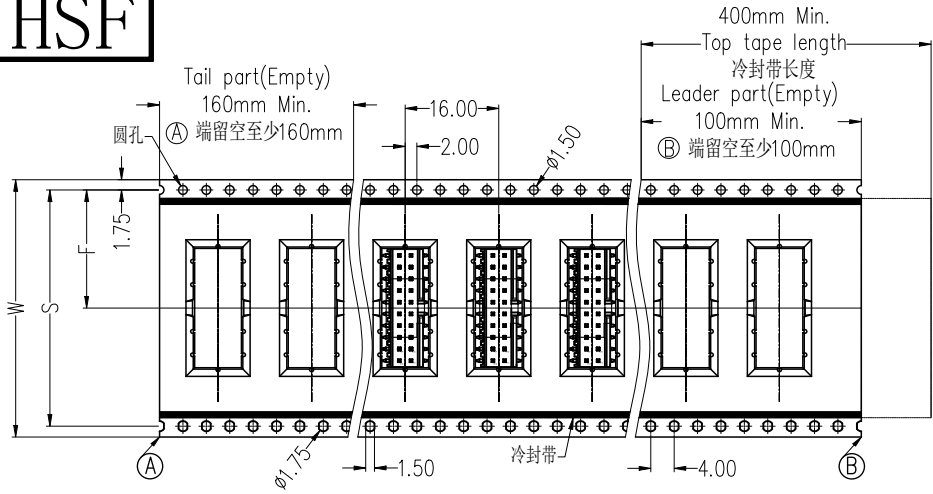
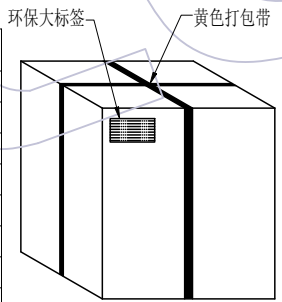


HSF



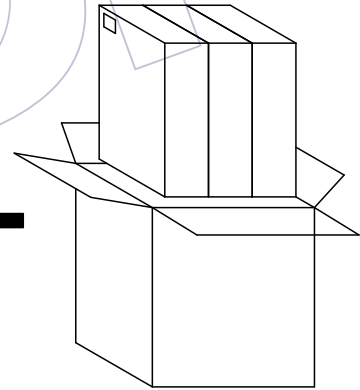
No.1:
产品包装前,注意载带要留空160mm以上
将产品放入载带凹槽后,用盖带封装,
注意:盖带与承载带的拉力30g-120g

2*Pin	载带料号	W	S	F	PCS/Reel	PCS/内箱	PCS/外箱
8P	TR3122A-MN008M07201	24.0±0.30	/	11.50±0.15	500	1500	4500
10P	TR3122A-MN010M07201	24.0±0.30	/	11.50±0.15	500	1500	4500
12P	TR3122A-MN012M07201	24.0±0.30	/	11.50±0.15	500	1500	4500
14P	TR3122A-MN014M07201	32.0±0.30	28.40±0.10	12.20±0.15	500	1000	3000
16P	TR3122A-MN016M07201	32.0±0.30	28.40±0.10	12.20±0.15	500	1000	3000
20P	TR3122A-MN020M07201	44.0±0.30	40.40±0.10	20.20±0.15	500	1000	3000
26P	TR3122A-MN026M07201	44.0±0.30	40.40±0.10	20.20±0.15	500	1000	3000
28P	TR3122A-MN028M07201	44.0±0.30	40.40±0.10	20.20±0.15	500	1000	3000
30P	TR3122A-MN030M07201	44.0±0.30	40.40±0.10	20.20±0.15	500	1000	3000
34P	TR3122A-MN034M07201	56.0±0.30	52.40±0.10	26.20±0.15	500	500	1500
40P	TR3122A-MN040M07201	56.0±0.30	52.40±0.10	26.20±0.15	500	500	1500
44P	TR3122A-MN044M07201	72.0±0.30	68.40±0.10	34.20±0.15	500	500	1500
50P	TR3122A-MN050M07201	72.0±0.30	68.40±0.10	34.20±0.15	500	500	1500
60P	TR3122A-MN060M07201	88.0±0.30	84.40±0.10	42.20±0.15	500	500	1500

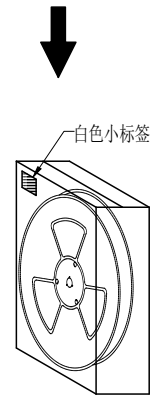


外箱: CTN-18K

No.4:
封箱,打包,贴标签。



No.3:
将内箱装入外箱(3内箱/外箱)
注意统一标签方向



内箱: CTN-18E

No.2:
将卷盘套上PE-32防水袋,
放入1包干燥剂,
真空机封口后装入内箱,
用封箱胶封装好,并贴上标签。

变更记事

版次 REV	日期 DATE	变更说明 MODIFICATION DESCRIPTION	变更 CHANGE	核准 APPROVE
A0	2019/09/21	NEW	-----	-----

工程图 ENGINEERING	绘图 DRAW	苏珊	2019/09/21	SCALE	FIT
X.X	±0.30	设计 DESIGN		UNIT	mm
X.XX	±0.20	审核 CHECK		SIZE	A4
X.XXX	±0.10	核准 APPROVE		SHEET	1/1
Angle	± 2'			PROJ.	☉
DIM	TOL				

WCON
WCON Electronics (GUANGDONG) Co.,Ltd

料号 PART NO. 3122A-XXMXXBK00R1

品名 TITLE: 2.00mm BOX Header,H=5.9, SMT "F" TYPE W/T CAP,L=8.50/7.60(O)/4.0 卷装规范