

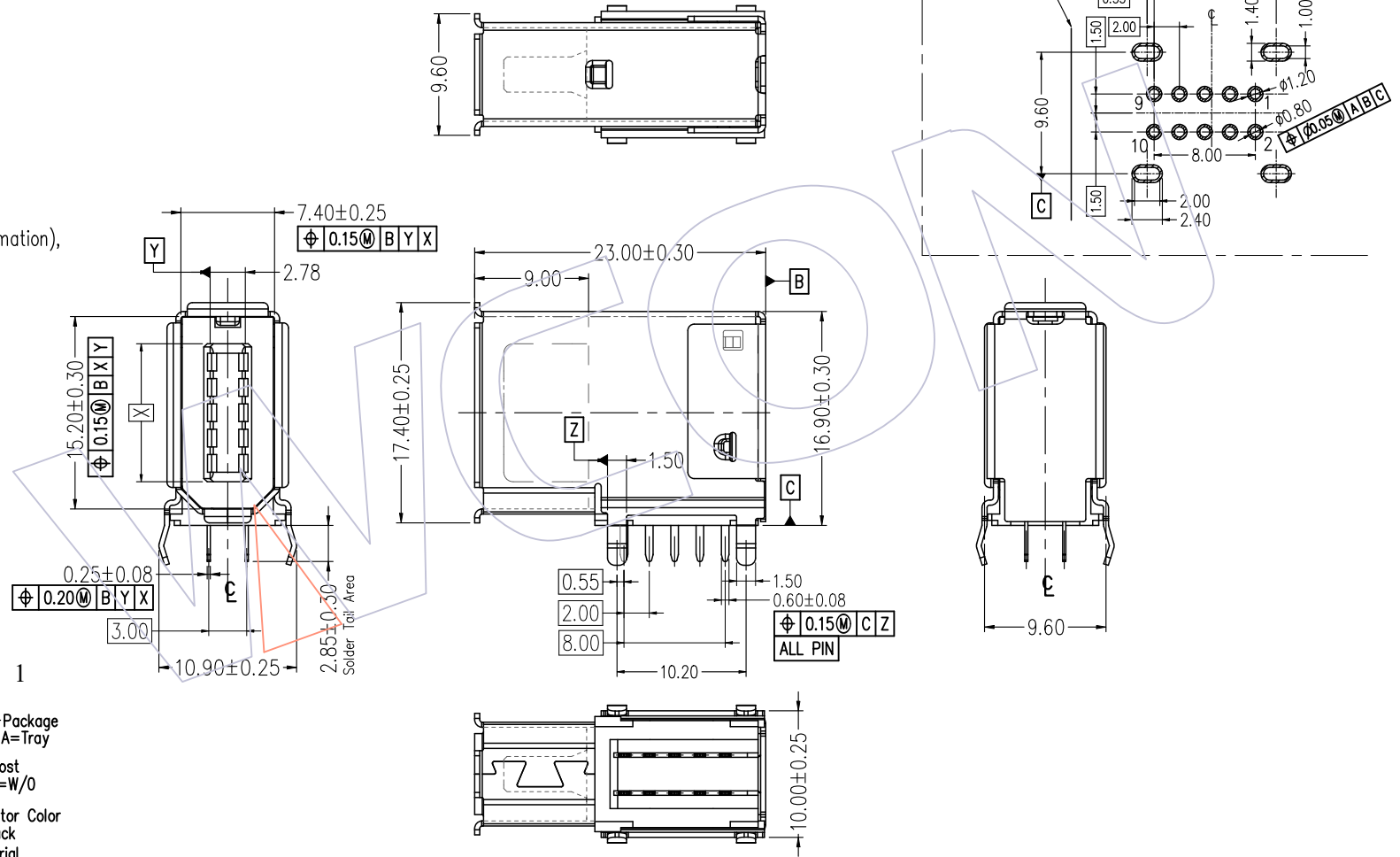
HSF

NOTES:

1. Current Rating: 1.0A ;
2. Contact Resistance: 30mΩ Max;
3. Withstand Voltage: 500V AC;
4. Insulation Resistance: 100MΩ Min;
5. Operating Temperature: -40°C to +85°C;
6. Insulator Material: LCP, UL94V-0, BK;
7. Contact Material: Copper Alloy;
8. Shell: Steel;
9. Contact plating:
 $xx\mu$ " Gold on contact area (See ordering information),
 100μ " TIN on solder area,
 50μ " Nickel underplating overall;
10. Shell plating:
 30μ " Nickel Min underplating overall;
13. Recommended process:
 Wave soldering, Peak temperature: $260\pm 5^\circ\text{C}$, 5s ;

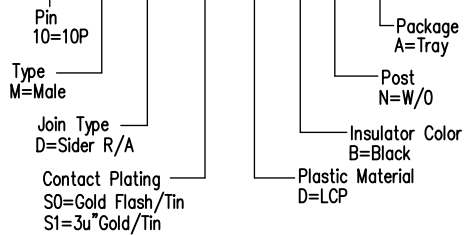
Recommended P.C.B Layout (Top Side)
 (PCB BOARD TOLERANCE ± 0.03)

基准 **-A-** 为正面



Ordering Information

6130 - 10 M D SX D B N A 1



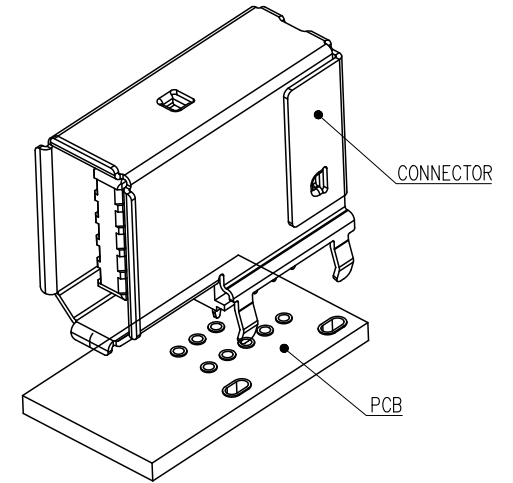
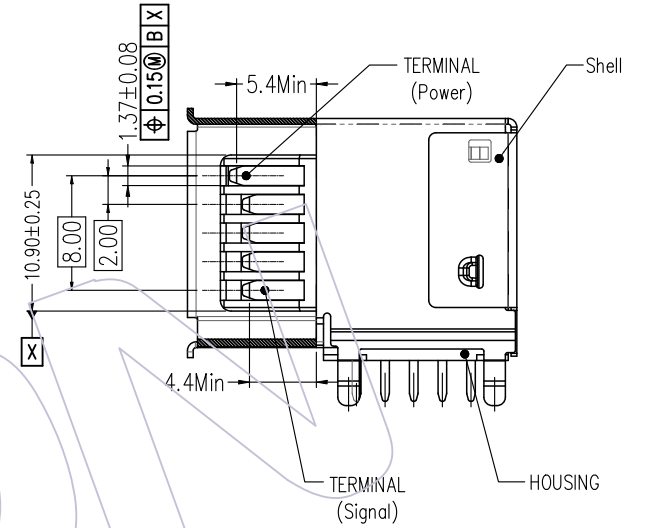
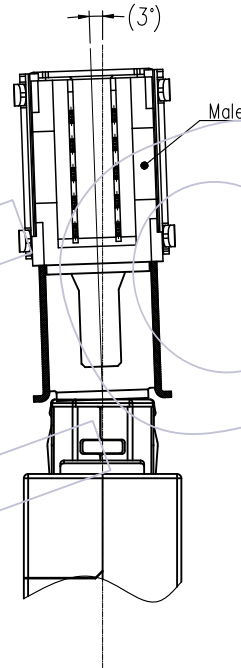
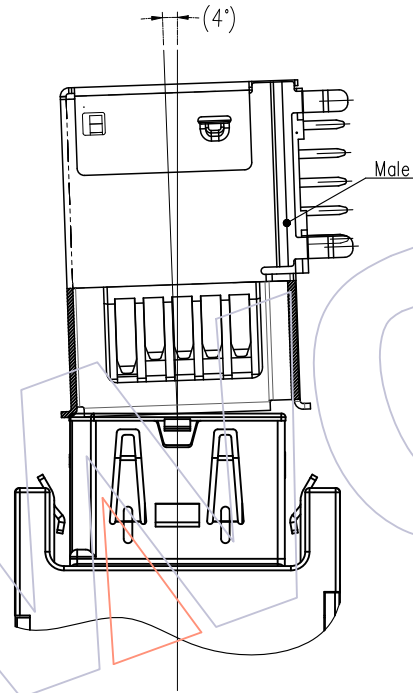
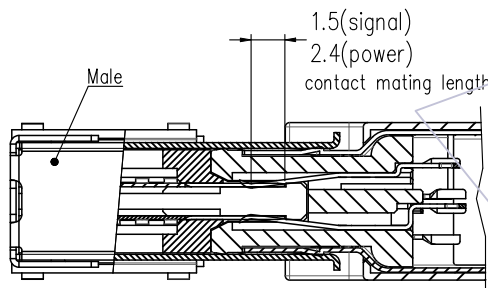
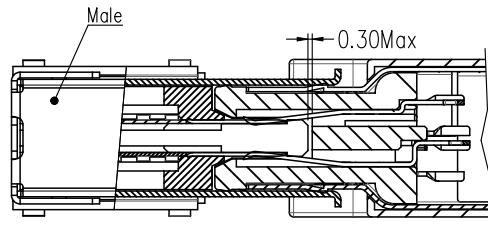
REV	DATE	MODIFICATION DESCRIPTION	CHANGE	OPERATION	DRAW	DATE	SCALE	FIT	PART NO.
				x.x ±0.40	Morris	2020/11/04	UNIT	mm	6130-10MDSXDBNA1
				x.xx ±0.25	CHECK	DATE	SIZE	A4	TITLE:
				x.xxx ±0.15	APPROVE	DATE	SHEET	1/2	2.0mm SIC Male Side R/A 10PIN
				Angle ± 3°			PROJ.	⊕	Customer NO.
				DIM TOL					

WCON

Http: www.wcon.com

WCON-Dongguan Tel: +86 769 85358920 Fax: +86 769 85358915 E-mail: sales@wcon.com
 WCON-Kunshan Tel: +86 512 57468408 Fax: +86 512 57468468 E-mail: salesks@wcon.com

HSF



Female(PART NO.): 6131-10FXXMAGA1

				OPERATION	DRAW	DATE	SCALE	FIT	PART NO.
				x.x ±0.40	Morris	2020/11/04	UNIT	mm	6130-10MDSXDBNA1
				x.xx ±0.25	CHECK	DATE	SIZE	A4	TITLE:
				x.xxx ±0.15	APPROVE	DATE	SHEET	2/2	2.0mm SIC Male Side R/A 10PIN
A0	2020/11/04	NEW	-----	Angle ± 3°			PROJ.	Φ	Customer NO.
REV	DATE	MODIFICATION DESCRIPTION	CHANGE	DIM	TOL				

WCON

Http: www.wcon.com

WCON-Dongguan	WCON-Kunshan
Tel: +86 769 85358920	Tel: +86 512 57468408
Fax: +86 769 85358915	Fax: +86 512 57468468
E-mail: sales@wcon.com	E-mail: salesks@wcon.com