

HSF

NOTES:

Rated Current:1.5AMP.(20°C,2*2P~2*15P)
 1.0AMP.(20°C,2*16P~2*50P) $\triangle A5$
 Contact Resistance:20m Ω Max.
 Withstand Voltage:500V AC/DC
 Insulation Resistance:1000M Ω Min.
 Operation Temperature:-40°C to +125°C(Gold Plating) $\triangle A5$
 -40°C to +105°C(Tin Plating) $\triangle A5$

Contact Material:Copper Alloy
 Contact Plating:Au or Sn Over 30u" Min Ni $\triangle A5$
 Insulator Material:PA9T+G.F UL94V-0 BK $\triangle A5$

Ordering Information $\triangle A5$

1325-1 2 XX XX M XXX C R XX

Plastic Layer
 Plastic Row
 No. of Pins
 Per Row:02~50
 Contact Plating
 G0=Gold Flash
 G3=10u"Au, BG3=8u"PdNi+2u"Au
 G4=15u"Au, BG4=13u"PdNi+2u"Au
 G5=30u"Au, BG5=28u"PdNi+2u"Au
 S0=Gold Flash/Tin
 S3=10u"Au/Sn, P3=8u"PdNi+2u"Au/Sn
 S4=15u"Au/Sn, P4=13u"PdNi+2u"Au/Sn
 S5=30u"Au/Sn, P5=28u"PdNi+2u"Au/Sn
 SN=Bright Tin
 SM=Matte Tin

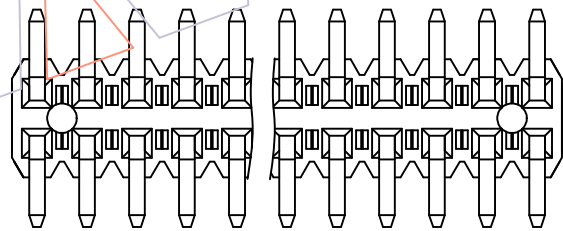
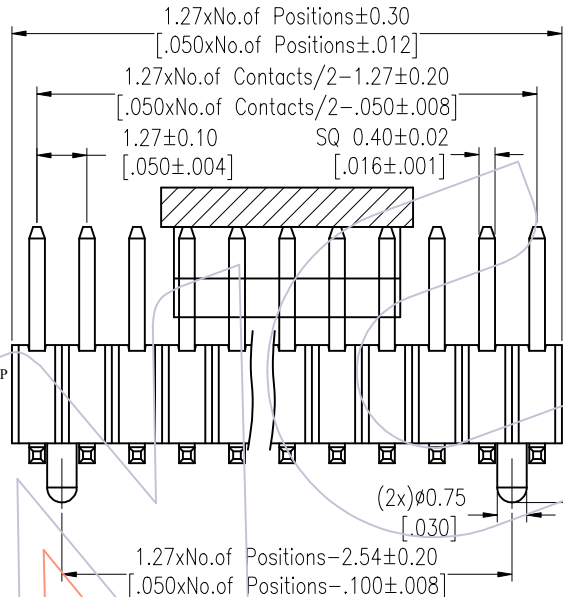
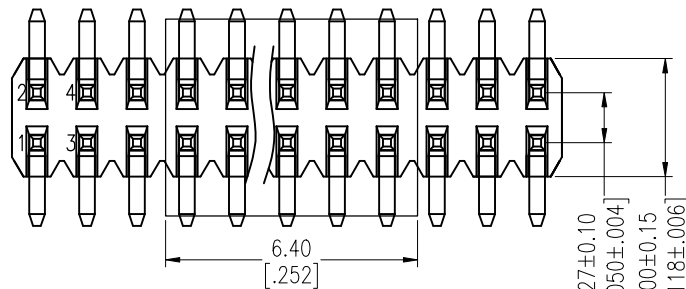
Series No.
 01~99
 Packing
 T=Tube
 P=Tube+CAP
 R=Tape&Reel+CAP

Insulator Material
 C=PA9T(Standard)

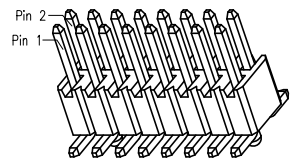
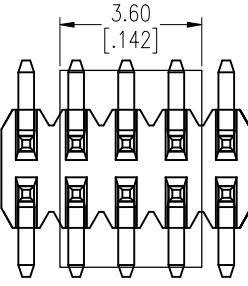
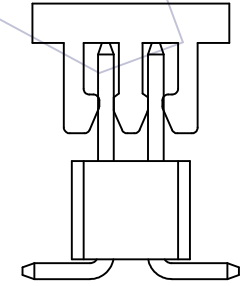
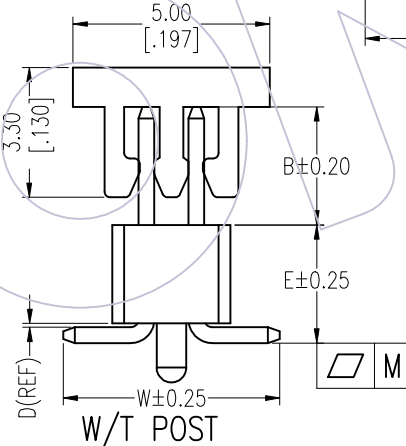
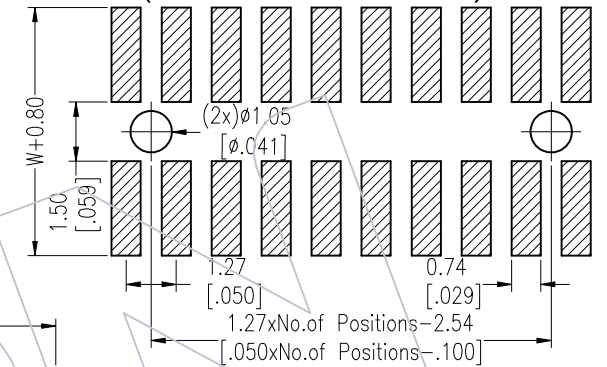
Pin Length
 L(See Table)

Type:
 M=SMT

Item	Pin Length	W	E	D	B	Mating
Standard	6.8	5.5	3.06	0.1	2.0	2321/2320T
	7.8				3.0	2334/2344/2346
	8.3				3.5	2357
	9.3				4.5	2345/2385
Alternate						



Recommended P.C.B Layout (Top Side)
 (PCB BOARD TOLERANCE±0.05)
 (PCB Thickness:T=1.60m)



PIN(PerRow)	2-15P	16-30P	31-50P
M	0.10	0.12	0.15

REV	DATE	MODIFICATION DESCRIPTION	CHANGE	DIM	TOL	APPROVE	DATE	PROJ.
A5	2025/09/04	Standardization Drawing	CP			OPERATION	DATE	SCALE
A4	2023/02/02	Add Flatness	Du Ying	X.X	±0.40	CP	2025/09/04	Fit
A3	2021/12/28	MODIFY CAP	Du Ying	X.XX	±0.25	CHECK	DATE	UNIT
A0	2012/03/31	NEW	-----	X.XXX	±0.15	TANG	2025/09/04	SIZE
				Angle	± 3'	APPROVE	DATE	SHEET
						Steven Zhao	2025/09/04	1/4

WCON
 Http: www.wcon.com

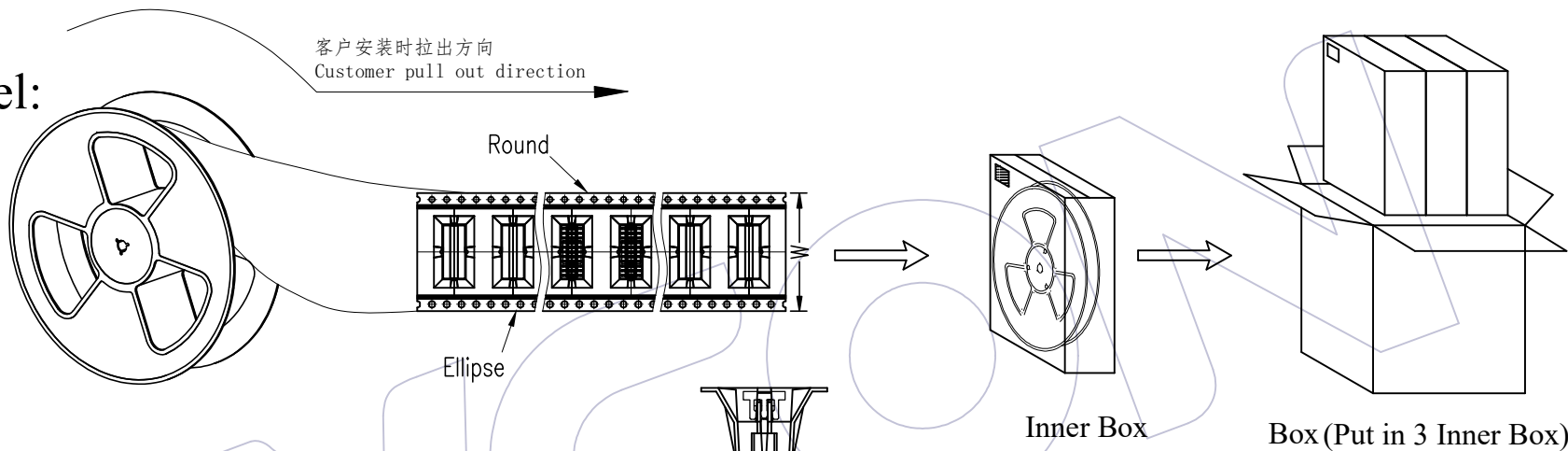
WCON-Dongguan
 Tel: +86 769 85358920
 Fax: +86 769 85358915
 E-mail: sales@wcon.com

WCON-Kunshan
 Tel: +86 512 57468408
 Fax: +86 512 57468468
 E-mail: sales@wcon.com

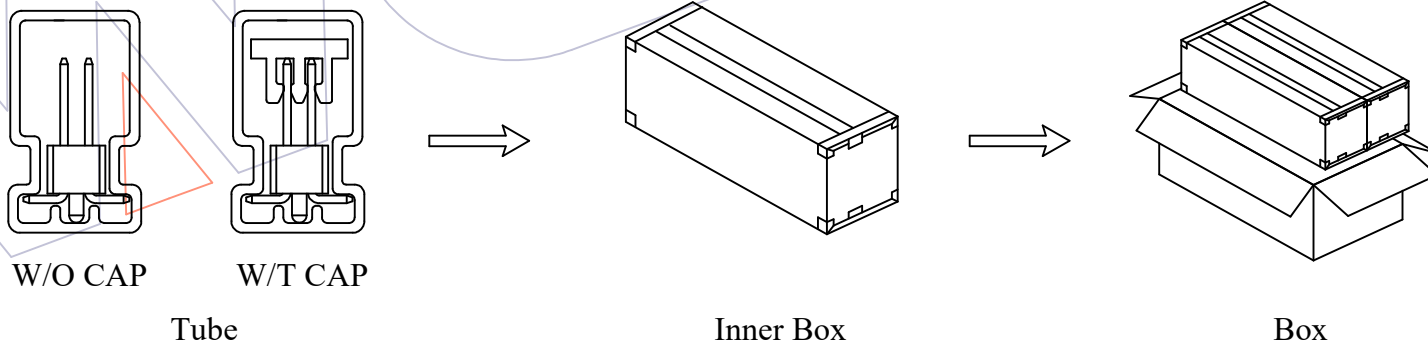
HSF

Packing:

Reel:



Tube:



A5	2025/09/04	Standardization Drawing	CP	OPERATION	DRAW	DATE	SCALE	Fit	PART NO. 1325-12XXXXMXXCXXX
A4	2023/02/02	Add Flatness	Du Ying	X.X ±0.40	CP	2025/09/04	UNIT	mm [inch]	
A3	2021/12/28	MODIFY CAP	Du Ying	X.XX ±0.25	CHECK	DATE	SIZE	A4	TITLE: 1.27 Pin Header, DUAL ROW, SMT,H=2.5
A0	2012/03/31	NEW	-----	X.XXX ±0.15	TANG	2025/09/04	SHEET	2/4	
REV	DATE	MODIFICATION DESCRIPTION	CHANGE	Angle ± 3'	APPROVE	DATE	PROJ.		Customer NO.
				DIM TOL	Steven Zhao	2025/09/04			

WCON
Http: www.wcon.com

WCON-Dongguan Tel: +86 769 85358920 Fax: +86 769 85358915 E-mail: sales@wcon.com

WCON-Kunshan Tel: +86 512 57468408 Fax: +86 512 57468468 E-mail: salesks@wcon.com

HSF

Packaging Quantity Refers To The Following Table

PINS /Row	Q' ty/Tube	Q' ty/Inner Box	Q' ty/Box
4	107	21,400	42,800
5	87	17,400	34,800
6	73	14,600	29,200
7	63	12,600	25,200
8	57	11,400	22,800
9	49	9,800	19,600
10	45	9,000	18,000
11	41	8,200	16,400
12	38	7,600	15,200
13	34	6,800	13,600
14	32	6,400	12,800
15	30	6,000	12,000
16	28	5,600	11,200
17	26	5,200	10,400
18	25	5,000	10,000
19	23	4,600	9,200
20	22	4,400	8,800
21	21	4,200	8,400
22	20	4,000	8,000
23	19	3,800	7,600
24	18	3,600	7,200
25	18	3,600	7,200
26	17	3,400	6,800
27	16	3,200	6,400

PINS /Row	Q' ty/Tube	Q' ty/Inner Box	Q' ty/Box
28	16	3,200	6,400
29	15	3,000	6,000
30	15	3,000	6,000
31	14	2,800	5,600
32	14	2,800	5,600
33	13	2,600	5,200
34	13	2,600	5,200
35	12	2,400	4,800
36	12	2,400	4,800
37	12	2,400	4,800
38	11	2,200	4,400
39	11	2,200	4,400
40	11	2,200	4,400
41	11	2,200	4,400
42	10	2,000	4,000
43	10	2,000	4,000
44	10	2,000	4,000
45	10	2,000	4,000
46	9	1,800	3,600
47	9	1,800	3,600
48	9	1,800	3,600
49	9	1,800	3,600
50	9	1,800	3,600

B=2.0

PINS /Row	W	Q' ty/Reel	Q' ty/Inner Box	Q' ty/Box
2	12	650	3,900	11,700
3	16	650	2,600	7,800
4	16	650	2,600	7,800
5	24	650	1,950	5,850
6	24	650	1,950	5,850
7	24	650	1,950	5,850
8	24	650	1,950	5,850
9	24	650	1,950	5,850
10	24	650	1,950	5,850
11	32	650	1,300	3,900
12	32	650	1,300	3,900
13	32	650	1,300	3,900
14	32	650	1,300	3,900
15	44	650	1,300	3,900
16	44	650	1,300	3,900
17	44	650	1,300	3,900
18	44	650	1,300	3,900
19	44	650	1,300	3,900
20	44	650	1,300	3,900
21	44	650	1,300	3,900
22	44	650	1,300	3,900
23	44	650	1,300	3,900
24	56	650	650	1,950
25	56	650	650	1,950
26	56	650	650	1,950

B=2.0

PINS /Row	W	Q' ty/Reel	Q' ty/Inner Box	Q' ty/Box
27	56	650	650	1,950
28	56	650	650	1,950
29	56	650	650	1,950
30	56	650	650	1,950
31	56	650	650	1,950
32	56	650	650	1,950
33	56	650	650	1,950
34	72	650	650	1,950
35	72	650	650	1,950
36	72	650	650	1,950
37	72	650	650	1,950
38	72	650	650	1,950
39	72	650	650	1,950
40	72	650	650	1,950
41	72	650	650	1,950
42	72	650	650	1,950
43	72	650	650	1,950
44	72	650	650	1,950
45	72	650	650	1,950
46	88	650	650	1,950
47	88	650	650	1,950
48	88	650	650	1,950
49	88	650	650	1,950
50	88	650	650	1,950

A5	2025/09/04	Standardization Drawing	CP	OPERATION	DRAW	DATE	SCALE	Fit	PART NO.
A4	2023/02/02	Add Flatness	Du Ying	x.X ±0.40	CP	2025/09/04	UNIT	mm [inch]	1325-12XXXXMXXCXXX
A3	2021/12/28	MODIFY CAP	Du Ying	x.XX ±0.25	CHECK	DATE	SIZE	A4	TITLE:
A0	2012/03/31	NEW	-----	x.XXX ±0.15	TANG	2025/09/04	SHEET	3/4	1.27 Pin Header, DUAL ROW, SMT, H=2.5
REV	DATE	MODIFICATION DESCRIPTION	CHANGE	Angle ± 3'	APPROVE	DATE	PROJ.		Customer NO.
				DIM TOL	Steven Zhao	2025/09/04			

WCON

Http: www.wcon.com

WCON-Dongguan Tel: +86 769 85358920 Fax: +86 769 85358915 E-mail: sales@wcon.com	WCON-Kunshan Tel: +86 512 57468408 Fax: +86 512 57468468 E-mail: sales@wcon.com
---	--

HSF

Packaging Quantity Refers To The Following Table

B=3.0/3.5

PINS /Row	W	Q' ty/Reel	Q' ty/Inner Box	Q' ty/Box
2	12	600	3,600	10,800
3	16	600	2,400	7,200
4	24	600	1,800	5,400
5	24	600	1,800	5,400
6	24	600	1,800	5,400
7	24	600	1,800	5,400
8	24	600	1,800	5,400
9	24	600	1,800	5,400
10	24	600	1,800	5,400
11	32	600	1,200	3,600
12	32	600	1,200	3,600
13	32	600	1,200	3,600
14	44	600	1,200	3,600
15	44	600	1,200	3,600
16	44	600	1,200	3,600
17	44	600	1,200	3,600
18	44	600	1,200	3,600
19	44	600	1,200	3,600
20	44	600	1,200	3,600
21	44	600	1,200	3,600
22	44	600	1,200	3,600
23	56	600	600	1,800
24	56	600	600	1,800
25	56	600	600	1,800
26	56	600	600	1,800

B=3.0/3.5

PINS /Row	W	Q' ty/Reel	Q' ty/Inner Box	Q' ty/Box
27	56	600	600	1,800
28	56	600	600	1,800
29	56	600	600	1,800
30	56	600	600	1,800
31	56	600	600	1,800
32	56	600	600	1,800
33	72	600	600	1,800
34	72	600	600	1,800
35	72	600	600	1,800
36	72	600	600	1,800
37	72	600	600	1,800
38	72	600	600	1,800
39	72	600	600	1,800
40	72	600	600	1,800
41	72	600	600	1,800
42	72	600	600	1,800
43	72	600	600	1,800
44	72	600	600	1,800
45	88	600	600	1,800
46	88	600	600	1,800
47	88	600	600	1,800
48	88	600	600	1,800
49	88	600	600	1,800
50	88	600	600	1,800

B=4.5

PINS /Row	W	Q' ty/Reel	Q' ty/Inner Box	Q' ty/Box
2	16	380	1,520	4,560
3	24	380	1,140	3,420
4	24	380	1,140	3,420
5	24	380	1,140	3,420
6	24	380	1,140	3,420
7	24	380	1,140	3,420
8	24	380	1,140	3,420
9	24	380	1,140	3,420
10	32	380	760	2,280
11	32	380	760	2,280
12	32	380	760	2,280
13	44	380	760	2,280
14	44	380	760	2,280
15	44	380	760	2,280
16	44	380	760	2,280
17	44	380	760	2,280
18	44	380	760	2,280
19	44	380	760	2,280
20	44	380	760	2,280
21	44	380	760	2,280
22	56	380	380	1,140
23	56	380	380	1,140
24	56	380	380	1,140
25	56	380	380	1,140
26	56	380	380	1,140

B=4.5

PINS /Row	W	Q' ty/Reel	Q' ty/Inner Box	Q' ty/Box
27	56	380	380	1,140
28	56	380	380	1,140
29	56	380	380	1,140
30	56	380	380	1,140
31	72	380	380	1,140
32	72	380	380	1,140
33	72	380	380	1,140
34	72	380	380	1,140
35	72	380	380	1,140
36	72	380	380	1,140
37	72	380	380	1,140
38	72	380	380	1,140
39	72	380	380	1,140
40	72	380	380	1,140
41	72	380	380	1,140
42	72	380	380	1,140
43	72	380	380	1,140
44	88	380	380	1,140
45	88	380	380	1,140
46	88	380	380	1,140
47	88	380	380	1,140
48	88	380	380	1,140
49	88	380	380	1,140
50	88	380	380	1,140

A5	2025/09/04	Standardization Drawing	CP	OPERATION	DRAW	DATE	SCALE	Fit	PART NO.
A4	2023/02/02	Add Flatness	Du Ying	X.X ±0.40	CP	2025/09/04	UNIT	mm [inch]	1325-12XXXXMXXCXXX
A3	2021/12/28	MODIFY CAP	Du Ying	X.XX ±0.25	CHECK	DATE	SIZE	A4	TITLE:
A0	2012/03/31	NEW	-----	X.XXX ±0.15	TANG	2025/09/04	SHEET	4/4	1.27 Pin Header, DUAL ROW, SMT,H=2.5
REV	DATE	MODIFICATION DESCRIPTION	CHANGE	Angle ± 3'	APPROVE	DATE	PROJ.		Customer NO.
				DIM TOL	Steven Zhao	2025/09/04			

WCON

Http: www.wcon.com

WCON-Dongguan Tel: +86 769 85358920 Fax: +86 769 85358915 E-mail: sales@wcon.com	WCON-Kunshan Tel: +86 512 57468408 Fax: +86 512 57468468 E-mail: salesks@wcon.com
---	--