

# HSF

**NOTES:**

Rated Current:3.0AMP.(20°C,3\*2P-3\*15P)  
 2.0AMP.(20°C,3\*16P-3\*40P)  $\triangle A2$   
 Contact Resistance:20m $\Omega$  Max.  
 Withstand Voltage:500V AC/DC  
 Insulation Resistance:1000M $\Omega$  Min.  
 Operation Temperature:-40°C to +125°C(Gold Plating)  
 -40°C to +105°C(Tin Plating)  $\triangle A2$   
 Contact Material:Copper Alloy  
 Contact Plating:Au or Sn Over 30u" Min Ni  $\triangle A2$   
 Insulator Material:PA9T+G.F UL94V-0 BK  $\triangle A2$

## Ordering Information

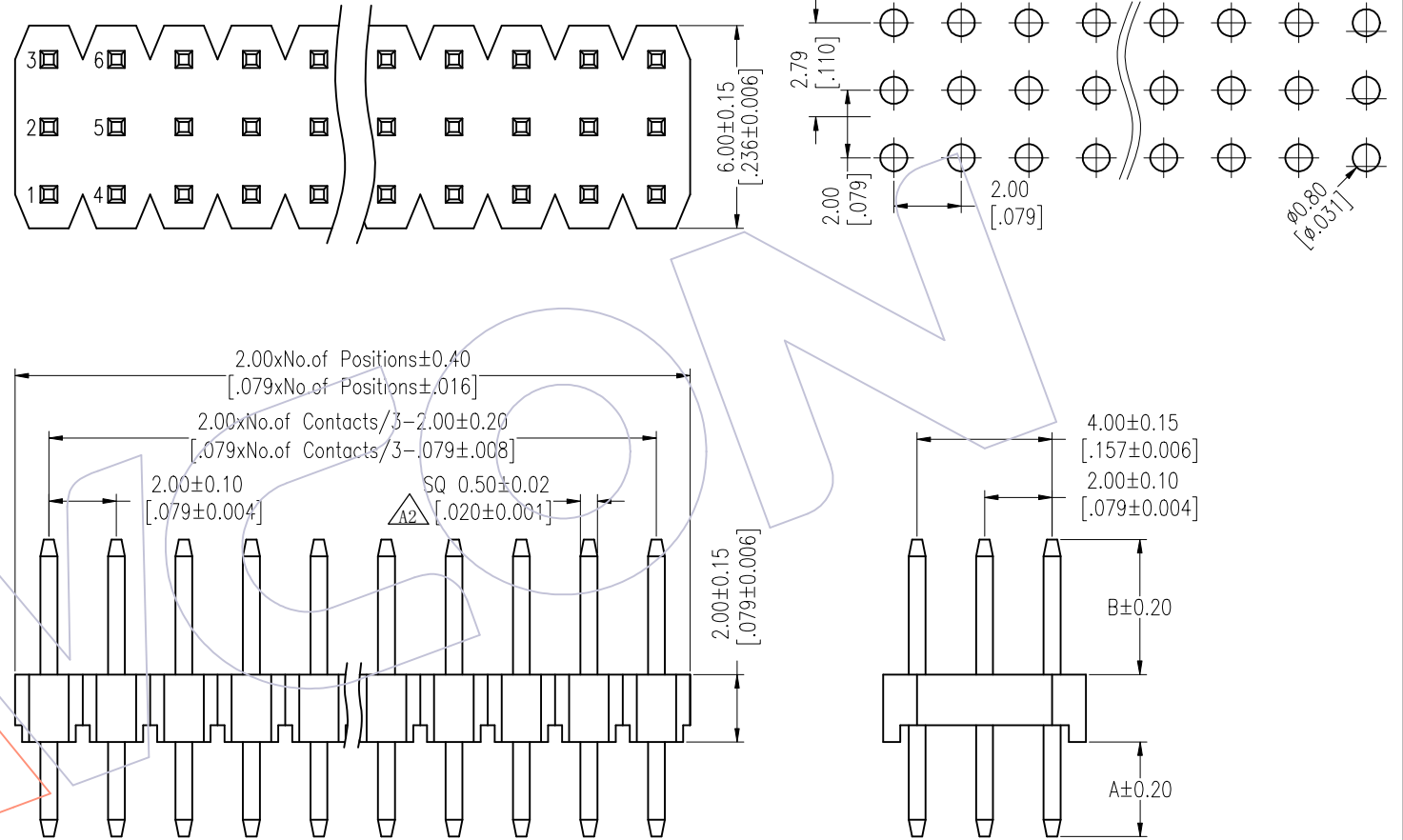
1220-1 3 XX XX S XXX C 0 XX  $\triangle A1$

Plastic Layer  
 Plastic Row  
 No. of Pins Per Row:02-40  
 Contact Plating  
 G0=Gold Flash  
 G3=10u"Au, BG3=8u"PdNi+2u"Au  
 G4=15u"Au, BG4=13u"PdNi+2u"Au  
 G5=30u"Au, BG5=28u"PdNi+2u"Au  
 S0=Gold Flash/Tin  
 S3=10u"Au/Sn, P3=8u"PdNi+2u"Au/Sn  
 S4=15u"Au/Sn, P4=13u"PdNi+2u"Au/Sn  
 S5=30u"Au/Sn, P5=28u"PdNi+2u"Au/Sn  
 SN=Bright Tin  
 SM=Matte Tin

Series No. 01-99  
 Packing 0=PE Bag  
 Insulator Material C=PA9T  
 Pin Length L(See Table)  
 Type: S/S/T

Item	Pin Length	A	B	Mating
Standard	7.3	2.80	2.5	2220T/2221/2228
	7.8		3.0	2227T/2228T/2245
	8.3		3.5	2235/2240N/2243C
	8.8		4.0	2240/2243/2245T/2263/2272
Standard	6.5	2.0 (THR)	2.5	2220T/2221/2228
	7.0		3.0	2227T/2228T/2245
	7.5		3.5	2235/2240N/2243C
	8.0		4.0	2240/2243/2245T/2263/2272
Alternate				

Recommended P.C.B Layout (Top Side)  
 (PCB BOARD TOLERANCE $\pm$ 0.05)  
 (PCB Thickness: T=1.60m)



REV	DATE	MODIFICATION DESCRIPTION	CHANGE	OPERATION	DRAW	DATE	SCALE	Fit	PART NO.
A2	2025/08/05	Standardization Drawing	CP	x.X $\pm$ 0.40	CP	2025/08/05	UNIT	mm	1220-13XXXXXXXCOXX $\triangle A1$
A1	2018/01/19	Modify P/N	Liu	x.XX $\pm$ 0.25	CHECK	2025/08/05	SIZE	A4	TITLE: PH2.00 THREE ROW 180° H=2.0
AO	2012/04/26	NEW	William Chen	x.XXX $\pm$ 0.15	TANG	2025/08/05	SHEET	1/2	Customer NO.
				Angle $\pm$ 3'	APPROVE	2025/08/05	PROJ.		
				DIM TOL	Steven Zhao				

**WCON**  
 Http: www.wcon.com

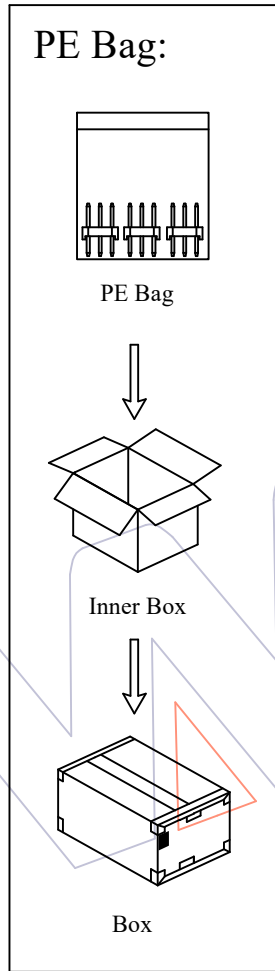
WCON-Dongguan  
 Tel: +86 769 85358920  
 Fax: +86 769 85358915  
 E-mail: sales@wcon.com

WCON-Kunshan  
 Tel: +86 512 57468408  
 Fax: +86 512 57468468  
 E-mail: salesks@wcon.com

**HSF**

**Packing:**

**Packaging Quantity Refers To The Following Table**



PINS /Row	Q'ty/Bag (6.5 ≤ L ≤ 8.8)	PINS /Row	Q'ty/Bag (6.5 ≤ L ≤ 8.8)
2	4000	22	300
3	2000	23	300
4	2000	24	300
5	1000	25	300
6	1000	26	300
7	1000	27	300
8	1000	28	300
9	300	29	300
10	800	30	200
11	700	31	200
12	700	32	200
13	600	33	200
14	600	34	100
15	500	35	200
16	500	36	200
17	500	37	200
18	400	38	200
19	400	39	200
20	400	40	200
21	400		

REV	DATE	MODIFICATION DESCRIPTION	CHANGE	OPERATION	DRAW	DATE	SCALE	Fit	PART NO.
A2	2025/08/05	Standardization Drawing	CP	x.X ±0.40	CP	2025/08/05	UNIT	mm	1220-13XXXXXXC0XX
A1	2018/01/19	Modify P/N	Liu	x.XX ±0.25	CHECK	DATE	SIZE	A4	TITLE:
AO	2012/04/26	NEW	William Chen	x.XXX ±0.15	TANG	2025/08/05	SHEET	2/2	PH2.00 THREE ROW 180° H=2.0
				Angle ± 3'	APPROVE	DATE	PROJ.		Customer NO.
				DIM TOL	Steven Zhao	2025/08/05			

**WCON**  
 Http: www.wcon.com

WCON-Dongguan Tel: +86 769 85358920  
 Fax: +86 769 85358915  
 E-mail: sales@wcon.com

WCON-Kunshan Tel: +86 512 57468408  
 Fax: +86 512 57468468  
 E-mail: salesks@wcon.com