

HSF

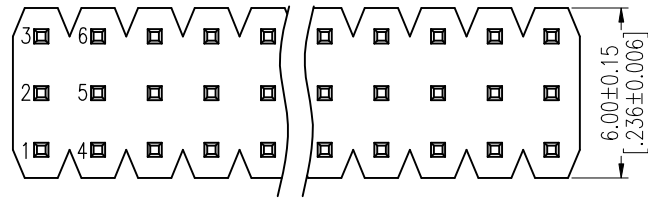
NOTES:
 Rated Current: 3.0AMP.(20°C, 3*2P-3*15P)
 2.0AMP.(20°C, 3*16P-3*40P) $\triangle A2$
 Contact Resistance: 20m Ω Max.
 Withstand Voltage: 500V AC/DC
 Insulation Resistance: 1000M Ω Min.
 Operation Temperature: -40°C to +125°C (Gold Plating)
 -40°C to +105°C (Tin Plating) $\triangle A2$
 Contact Material: Copper Alloy
 Contact Plating: Au or Sn Over 30 μ Min Ni $\triangle A2$
 Insulator Material: PA9T+G.F UL94V-0 BK $\triangle A2$

Ordering Information

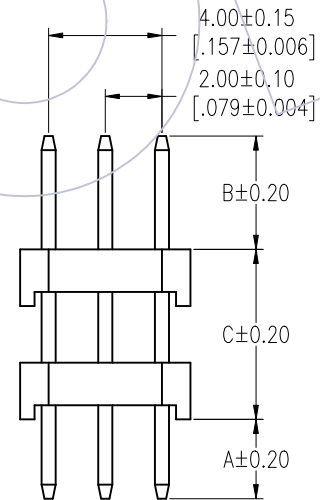
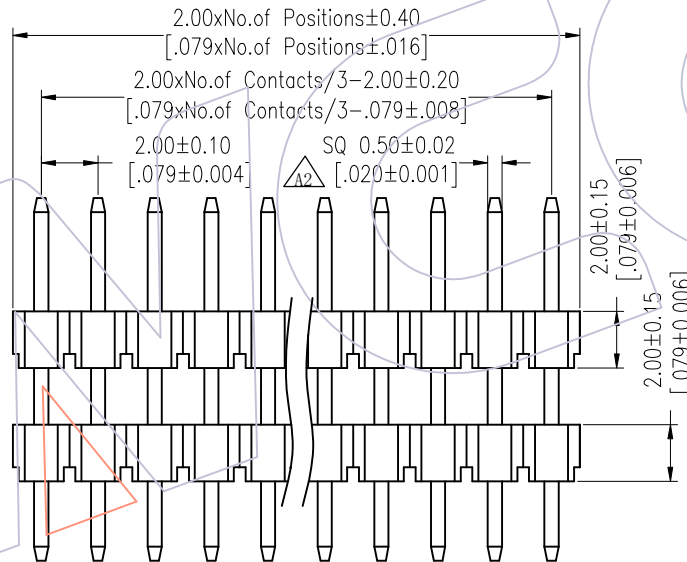
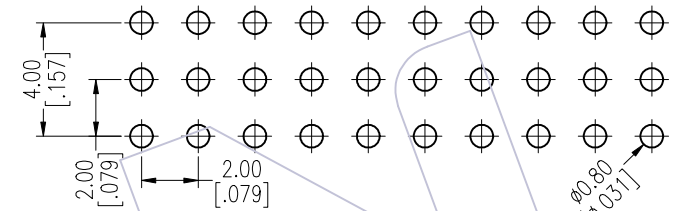
1220- 2 3 XX XX S XXX C 0 XX $\triangle A1$

Plastic Layer
 Plastic Row
 No. of Pins Per Row: 02-40
 Contact Plating
 G0=Gold Flash
 G3=10 μ "Au, BG3=8 μ "PdNi+2 μ "Au
 G4=15 μ "Au, BG4=13 μ "PdNi+2 μ "Au
 G5=30 μ "Au, BG5=28 μ "PdNi+2 μ "Au
 S0=Gold Flash/Tin
 S3=10 μ "Au/Sn, P3=8 μ "PdNi+2 μ "Au/Sn
 S4=15 μ "Au/Sn, P4=13 μ "PdNi+2 μ "Au/Sn
 S5=30 μ "Au/Sn, P5=28 μ "PdNi+2 μ "Au/Sn
 SN=Bright Tin $\triangle A2$
 SM=Matte Tin $\triangle A2$

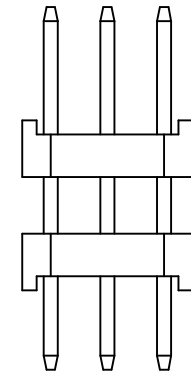
Series No. 01-99
 Packing 0=PE Bag
 Insulator Material C=PA9T
 Pin Length L(See Table)
 Type: S:S/T



Recommended P.C.B Layout (Top Side)
 (PCB BOARD TOLERANCE ± 0.05)
 (PCB Thickness: T=1.60mm)



TYPE 1



TYPE 2

REV	DATE	MODIFICATION DESCRIPTION	CHANGE	OPERATION	DRAW	DATE	SCALE	Fit	PART NO.
A2	2025/08/05	Standardization Drawing	CP	x.X ±0.40	CP	2025/08/05	UNIT	mm	1220-23XXXXXXC0XX $\triangle A1$
A1	2018/01/19	Modify P/N	Liu	x.xx ±0.25	CHECK	2025/08/05	SIZE	A4	TITLE: PH2.00 THREE ROW DOUBLE PLASTIC 180° H=2.0
AO	2012/04/26	NEW	William Chen	x.xxx ±0.15	TANG	2025/08/05	SHEET	1/3	Customer NO.
				Angle ± 3'	APPROVE	2025/08/05	PROJ.		
				DIM TOL	Steven Zhao				

WCON

Http: www.wcon.com

WCON-Dongguan Tel: +86 769 85358920 Fax: +86 769 85358915 E-mail: sales@wcon.com
 WCON-Kunshan Tel: +86 512 57468408 Fax: +86 512 57468468 E-mail: salesks@wcon.com

HSF

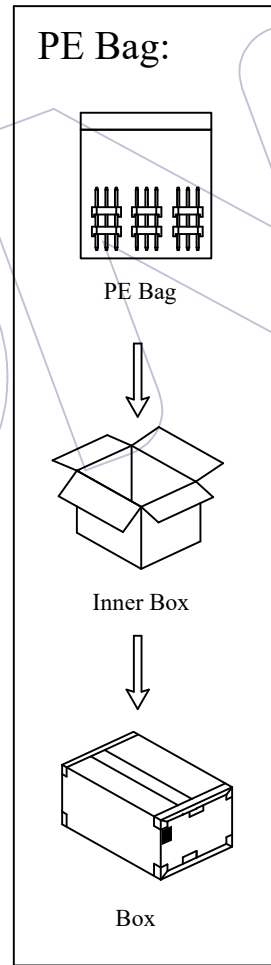
Table 1

Item	L	C	A	B	Mating
Standard	13.0	7.7	2.80	2.5	2220T/2221/2228
	13.5			3.0	2227T/2228T/2245
	14.0			3.5	2235/2240N/2243C
	14.5			4.0	2240/2243/2245T/2263/2272
	13.3	8.0		2.5	2220T/2221/2228
	13.8			3.0	2227T/2228T/2245
	14.2			3.5	2235/2240N/2243C
	14.8			4.0	2240/2243/2245T/2263/2272
	14.8	9.6		2.5	2220T/2221/2228
	15.3			3.0	2227T/2228T/2245
	15.8			3.5	2235/2240N/2243C
	16.3			4.0	2240/2243/2245T/2263/2272
	15.8	10.6		2.5	2220T/2221/2228
	16.3			3.0	2227T/2228T/2245
	16.8			3.5	2235/2240N/2243C
	17.3			4.0	2240/2243/2245T/2263/2272
	17.3	12.0		2.5	2220T/2221/2228
	17.8			3.0	2227T/2228T/2245
	18.3			3.5	2235/2240N/2243C
	18.8			4.0	2240/2243/2245T/2263/2272
19.3	14.0	2.5	2220T/2221/2228		
19.8		3.0	2227T/2228T/2245		
20.3		3.5	2235/2240N/2243C		
20.8		4.0	2240/2243/2245T/2263/2272		
Alternate					

Table 1

Item	L	C	A	B	Mating
Standard	12.2	7.7	2.0 (THR)	2.5	2220T/2221/2228
	12.7			3.0	2227T/2228T/2245
	13.3			3.5	2235/2240N/2243C
	13.8			4.0	2240/2243/2245T/2263/2272
	12.5	8.0		2.5	2220T/2221/2228
	13.0			3.0	2227T/2228T/2245
	13.5			3.5	2235/2240N/2243C
	14.0			4.0	2240/2243/2245T/2263/2272
	14.0	9.6		2.5	2220T/2221/2228
	14.5			3.0	2227T/2228T/2245
	15.0			3.5	2235/2240N/2243C
	15.5			4.0	2240/2243/2245T/2263/2272
	15.0	10.6		2.5	2220T/2221/2228
	15.5			3.0	2227T/2228T/2245
	16.0			3.5	2235/2240N/2243C
	16.5			4.0	2240/2243/2245T/2263/2272
	16.5	12.0		2.5	2220T/2221/2228
	17.0			3.0	2227T/2228T/2245
	17.5			3.5	2235/2240N/2243C
	18.0			4.0	2240/2243/2245T/2263/2272
18.5	14.0	2.5	2220T/2221/2228		
19.0		3.0	2227T/2228T/2245		
19.5		3.5	2235/2240N/2243C		
20.0		4.0	2240/2243/2245T/2263/2272		
Alternate					

Packing:



				OPERATION	DRAW	DATE	SCALE	Fit	PART NO.	 Http: www.wcon.com
A2	2025/08/05	Standardization Drawing	CP	x.X ±0.40	CP	2025/08/05	UNIT	mm	1220-23XXXXXXXCOXX 	
A1	2018/01/19	Modify P/N	Liu	x.xx ±0.25	CHECK	DATE	SIZE	A4	TITLE:	
AO	2012/04/26	NEW	William Chen	x.xxx ±0.15	TANG	2025/08/05	SHEET	2/3	PH2.00 THREE ROW DOUBLE PLASTIC 180° H=2.0	
REV	DATE	MODIFICATION DESCRIPTION	CHANGE	Angle ± 3'	APPROVE	DATE	PROJ.		Customer NO.	WCON-Dongguan Tel: +86 769 85358920 Fax: +86 769 85358915 E-mail: sales@wcon.com
				DIM TOL	Steven Zhao	2025/08/05				WCON-Kunshan Tel: +86 512 57468408 Fax: +86 512 57468468 E-mail: salesks@wcon.com

HSF

Packaging Quantity Refers To The Following Table

PINS /Row	Q'ty/Bag (12.2 ≤ L ≤ 16.5)	PINS /Row	Q'ty/Bag (12.2 ≤ L ≤ 16.5)	PINS /Row	Q'ty/Bag (16.8 ≤ L ≤ 20.8)	PINS /Row	Q'ty/Bag (16.8 ≤ L ≤ 20.8)
2	2000	22	100	2	1000	22	100
3	1000	23	100	3	1000	23	100
4	1000	24	100	4	700	24	100
5	800	25	100	5	500	25	100
6	600	26	100	6	500	26	100
7	600	27	100	7	400	27	100
8	500	28	100	8	400	28	100
9	400	29	100	9	300	29	100
10	400	30	100	10	300	30	100
11	300	31	100	11	300	31	100
12	300	32	100	12	200	32	100
13	300	33	100	13	200	33	50
14	300	34	100	14	200	34	50
15	200	35	100	15	200	35	50
16	200	36	100	16	200	36	50
17	200	37	100	17	100	37	50
18	200	38	100	18	100	38	50
19	200	39	100	19	100	39	50
20	200	40	100	20	100	40	50
21	200			21	100		

REV	DATE	MODIFICATION DESCRIPTION	CHANGE	OPERATION	DRAW	DATE	SCALE	Fit	PART NO.
A2	2025/08/05	Standardization Drawing	CP	x.X ±0.40	CP	2025/08/05	UNIT	mm	1220-23XXXXXXCOXX
A1	2018/01/19	Modify P/N	Liu	x.XX ±0.25	CHECK	DATE	SIZE	A4	TITLE:
AO	2012/04/26	NEW	William Chen	x.XXX ±0.15	TANG	2025/08/05	SHEET	3/3	PH2.00 THREE ROW DOUBLE PLASTIC 180° H=2.0
				Angle ± 3'	APPROVE	DATE	PROJ.		Customer NO.
				DIM TOL	Steven Zhao	2025/08/05			

WCON

Http: www.wcon.com

WCON-Dongguan Tel: +86 769 85358920 Fax: +86 769 85358915 E-mail: sales@wcon.com	WCON-Kunshan Tel: +86 512 57468408 Fax: +86 512 57468468 E-mail: salesks@wcon.com
---	--