

HSF

NOTES:

Rated Current: 3.0AMP. (20°C, 3*2P-3*15P)
2.0AMP. (20°C, 3*16P-3*40P) $\triangle A2$

Contact Resistance: 20mΩ Max.

Withstand Voltage: 500V AC/DC

Insulation Resistance: 1000MΩ Min.

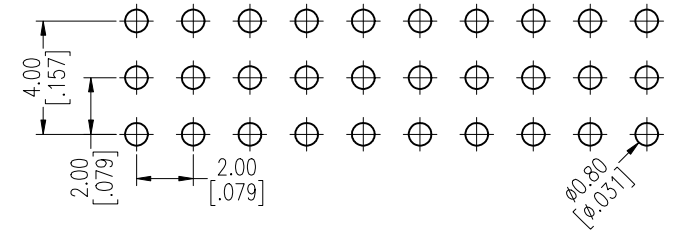
Operation Temperature: -40°C to +125°C (Gold Plating) $\triangle A2$
-40°C to +105°C (Tin Plating) $\triangle A2$

Contact Material: Copper Alloy

Contact Plating: Au or Sn Over 30u" Min Ni $\triangle A2$

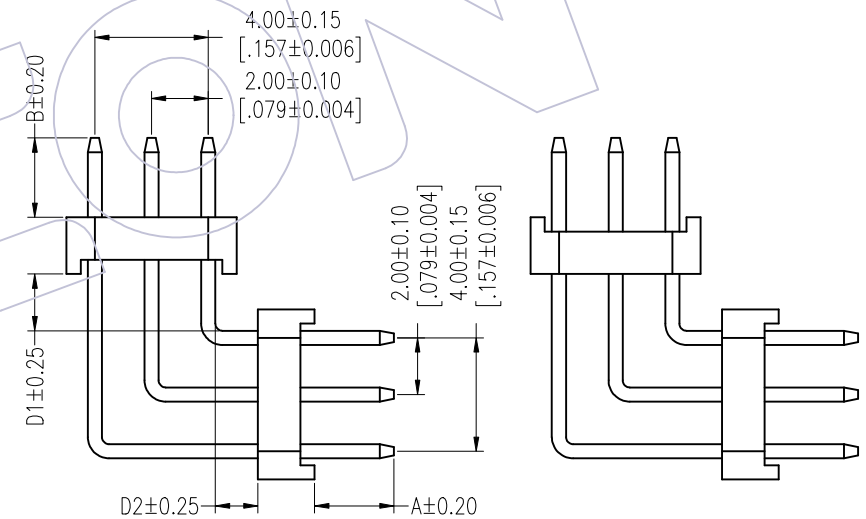
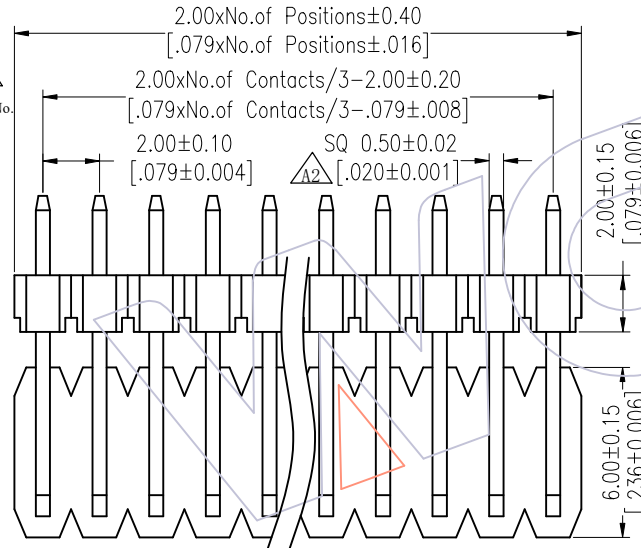
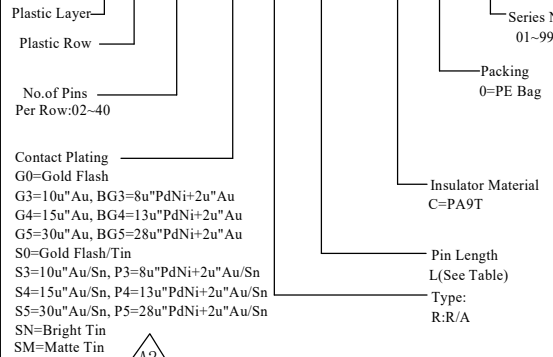
Insulator Material: PA9T+G.F UL94V-0 BK $\triangle A2$

Recommended P.C.B Layout (Top Side)
(PCB BOARD TOLERANCE ± 0.05)
(PCB Thickness: T=1.60m)



Ordering Information

1220- 2 3 XX XX R XXX C 0 XX $\triangle A1$



TYPE 1

TYPE 2

REV	DATE	MODIFICATION DESCRIPTION	CHANGE	OPERATION	DRAW	DATE	SCALE	Fit	PART NO.
A2	2025/08/06	Standardization Drawing	CP	x.X ±0.40	CP	2025/08/06	UNIT	mm	1220-23XXXXRXXXCOXX $\triangle A1$
A1	2018/01/19	Modify P/N	Liu	x.XX ±0.25	CHECK	DATE	SIZE	A4	TITLE:
AO	2012/04/26	NEW	William Chen	x.XXX ±0.15	TANG	2025/08/06	SHEET	1/3	PH2.00 THREE ROW DOUBLE PLASTIC 90° H=2.0 MIDDLE BENDING
				Angle ± 3'	APPROVE	DATE	PROJ.		Customer NO.
				DIM TOL	Steven Zhao	2025/08/06			



Http: www.wcon.com

<p>WCON-Dongguan Tel: +86 769 85358920 Fax: +86 769 85358915 E-mail: sales@wcon.com</p>	<p>WCON-Kunshan Tel: +86 512 57468408 Fax: +86 512 57468468 E-mail: salesks@wcon.com</p>
---	--

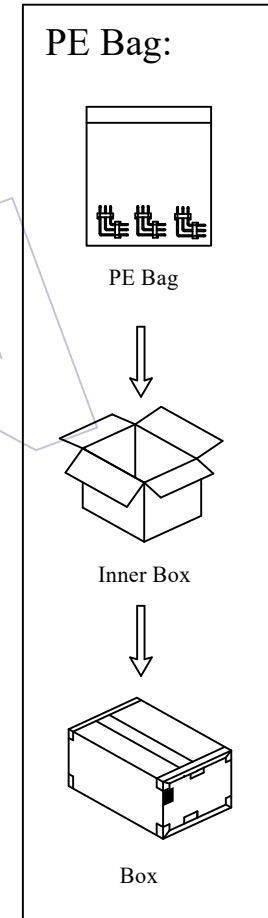
HSF

Table

Item	Pin Length Short/Middle/Long	A	D1	D2	B	Mating	
Standard	11.8/15.8/19.8	2.80	1.2	1.2	2.5	2220T/2221/2228	
	12.3/16.3/20.3				3.0	2227T/2228T/2245	
	12.8/16.8/20.8				3.5	2235/2240N/2243C	
	13.3/17.3/21.3				4.0	2240/2243/2245T/2263/2272	
	14.5/18.5/22.5		1.8	3.2	2.5	2220T/2221/2228	
	15.0/19.0/23.0				3.0	2227T/2228T/2245	
	15.5/19.5/23.5				3.5	2235/2240N/2243C	
	16.0/20.0/24.0				4.0	2240/2243/2245T/2263/2272	
	13.6/17.8/21.8		2.3	1.9	2.5	2220T/2221/2228	
	14.2/18.2/22.2				3.0	2227T/2228T/2245	
	14.7/18.7/22.7				3.5	2235/2240N/2243C	
	15.2/19.2/23.2				4.0	2240/2243/2245T/2263/2272	
	14.5/18.5/22.5	2.5	2.5	2.5	2220T/2221/2228		
	15.0/19.0/23.0			3.0	2227T/2228T/2245		
	15.5/19.5/23.5			3.5	2235/2240N/2243C		
	16.0/20.0/24.0			4.0	2240/2243/2245T/2263/2272		
	16.3/20.2/24.2	5.2	1.5	2.5	2220T/2221/2228		
	16.8/20.8/24.8			3.0	2227T/2228T/2245		
	17.2/21.3/25.2			3.5	2235/2240N/2243C		
	17.8/21.8/25.7			4.0	2240/2243/2245T/2263/2272		
	22.2/26.2/30.2	5.2	7.5	2.5	2220T/2221/2228		
	22.7/26.8/30.8			3.0	2227T/2228T/2245		
	23.2/27.2/31.3			3.5	2235/2240N/2243C		
	23.8/27.8/31.8			4.0	2240/2243/2245T/2263/2272		
	Alternate						

Item	Pin Length Short/Middle/Long	A	D1	D2	B	Mating	
Standard	11.0/15.0/19.0	2.0 (THR)	1.2	1.2	2.5	2220T/2221/2228	
	11.6/15.5/19.6				3.0	2227T/2228T/2245	
	12.0/16.0/20.0				3.5	2235/2240N/2243C	
	12.5/16.5/20.5				4.0	2240/2243/2245T/2263/2272	
	13.8/17.8/21.8		1.8	3.2	2.5	2220T/2221/2228	
	14.2/18.2/22.2				3.0	2227T/2228T/2245	
	14.7/18.7/22.7				3.5	2235/2240N/2243C	
	15.2/19.2/23.2				4.0	2240/2243/2245T/2263/2272	
	12.8/16.8/20.8		2.3	1.9	2.5	2220T/2221/2228	
	13.3/17.3/21.3				3.0	2227T/2228T/2245	
	13.8/17.8/21.8				3.5	2235/2240N/2243C	
	14.5/18.5/22.5				4.0	2240/2243/2245T/2263/2272	
	13.8/17.8/21.8	2.5	2.5	2.5	2220T/2221/2228		
	14.2/18.2/22.2			3.0	2227T/2228T/2245		
	14.7/18.7/22.7			3.5	2235/2240N/2243C		
	15.2/19.2/23.2			4.0	2240/2243/2245T/2263/2272		
	15.5/19.5/23.5	5.2	1.5	2.5	2220T/2221/2228		
	15.8/19.8/23.8			3.0	2227T/2228T/2245		
	16.5/20.5/24.5			3.5	2235/2240N/2243C		
	16.8/20.8/24.8			4.0	2240/2243/2245T/2263/2272		
	21.5/25.5/29.5	5.2	7.5	2.5	2220T/2221/2228		
	21.8/25.8/29.8			3.0	2227T/2228T/2245		
	22.5/26.5/30.5			3.5	2235/2240N/2243C		
	22.8/26.8/30.8			4.0	2240/2243/2245T/2263/2272		
	Alternate						

Packing:



REV	DATE	MODIFICATION DESCRIPTION	CHANGE	OPERATION	DRAW	DATE	SCALE	Fit	PART NO.	 Http: www.wcon.com WCON-Dongguan Tel: +86 769 85358920 WCON-Kunshan Tel: +86 512 57468408 Fax: +86 769 85358915 Fax: +86 512 57468468 E-mail: sales@wcon.com E-mail: salesks@wcon.com
A2	2025/08/06	Standardization Drawing	CP	x.X ±0.40	CP	2025/08/06	UNIT	mm	1220-23XXXXRXXXCOXX	
A1	2018/01/19	Modify P/N	Liu	x.XX ±0.25	CHECK	DATE	SIZE	A4	TITLE:	
A0	2012/04/26	NEW	William Chen	x.XXX ±0.15	TANG	2025/08/06	SHEET	2/3	PH2.00 THREE ROW DOUBLE PLASTIC 90° H=2.0 MIDDLE BENDING	
				Angle ± 3'	APPROVE	DATE	PROJ.		Customer NO.	
				DIM TOL	Steven Zhao	2025/08/06				

HSF

Packaging Quantity Refers To The Following Table

PINS /Row	Q'ty/Bag (11.0 ≤ L ≤ 17.8)	PINS /Row	Q'ty/Bag (11.0 ≤ L ≤ 17.8)	PINS /Row	Q'ty/Bag (21.5 ≤ L ≤ 23.8)	PINS /Row	Q'ty/Bag (21.5 ≤ L ≤ 23.8)
2	800	22	50	2	600	22	50
3	600	23	50	3	400	23	50
4	400	24	50	4	300	24	50
5	300	25	50	5	200	25	50
6	300	26	50	6	200	26	30
7	200	27	50	7	100	27	30
8	200	28	50	8	100	28	30
9	200	29	50	9	100	29	30
10	100	30	50	10	100	30	30
11	100	31	50	11	100	31	30
12	100	32	50	12	100	32	30
13	100	33	50	13	100	33	30
14	100	34	50	14	50	34	30
15	100	35	50	15	50	35	30
16	100	36	50	16	50	36	30
17	100	37	30	17	50	37	30
18	100	38	30	18	50	38	30
19	100	39	30	19	50	39	30
20	50	39	30	20	50	39	30
21	50	40	30	21	50	40	30

REV	DATE	MODIFICATION DESCRIPTION	CHANGE	OPERATION	DRAW	DATE	SCALE	Fit	PART NO.
A2	2025/08/06	Standardization Drawing	CP	x.X ±0.40	CP	2025/08/06	UNIT	mm	1220-23XXXXRXXXCOXX
A1	2018/01/19	Modify P/N	Liu	x.XX ±0.25	CHECK	DATE	SIZE	A4	TITLE:
AO	2012/04/26	NEW	William Chen	x.XXX ±0.15	TANG	2025/08/06	SHEET	3/3	PH2.00 THREE ROW DOUBLE PLASTIC 90° H=2.0 MIDDLE BENDING
				Angle ± 3'	APPROVE	DATE	PROJ.		Customer NO.
				DIM TOL	Steven Zhao	2025/08/06			

WCON
 Http: www.wcon.com

WCON-Dongguan Tel: +86 769 85358920
 Fax: +86 769 85358915
 E-mail: sales@wcon.com

WCON-Kunshan Tel: +86 512 57468408
 Fax: +86 512 57468468
 E-mail: salesks@wcon.com