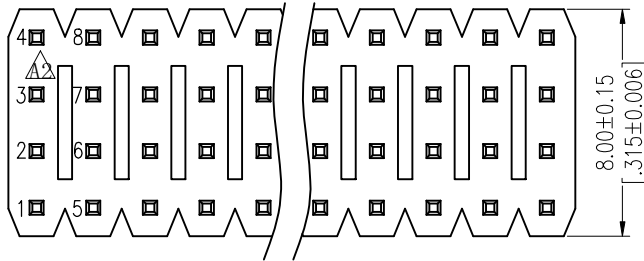
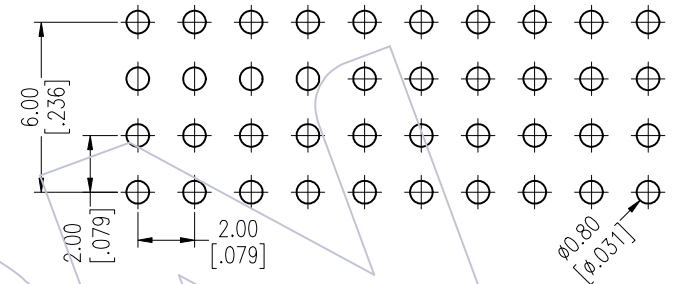


HSF

NOTES:
 Rated Current: 3.0AMP.(20°C, 4*2P-4*15P)
 2.0AMP.(20°C, 4*16P-4*40P) $\triangle A4$
 Contact Resistance: 20m Ω Max.
 Withstand Voltage: 500V AC/DC
 Insulation Resistance: 1000M Ω Min.
 Operation Temperature: -40°C to +125°C (Gold Plating)
 -40°C to +105°C (Tin Plating) $\triangle A4$
 Contact Material: Copper Alloy
 Contact Plating: Au or Sn Over 30u" Min Ni $\triangle A4$
 Insulator Material: PA9T+G.F UL94V-0 BK $\triangle A4$

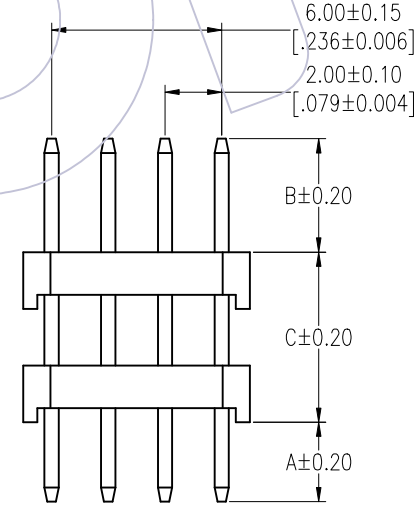
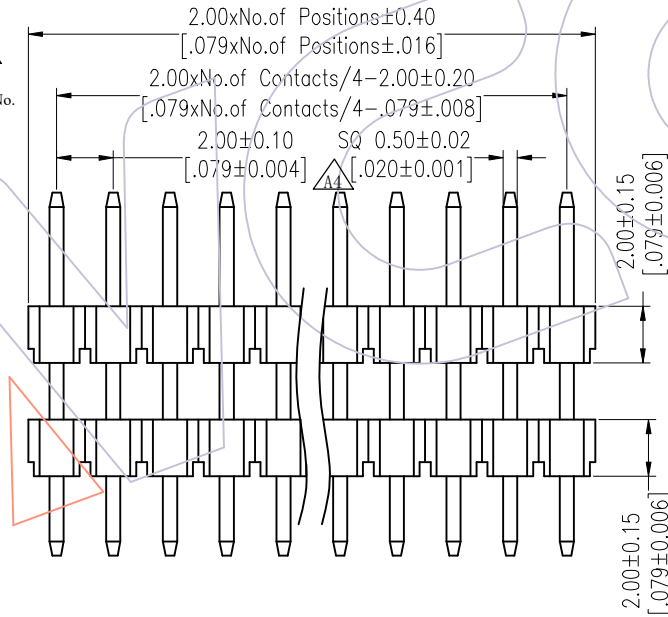
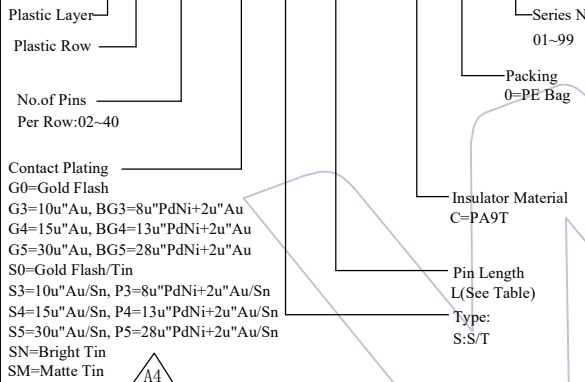


Recommended P.C.B Layout (Top Side)
 (PCB BOARD TOLERANCE ±0.05)
 (PCB Thickness: T=1.60mm)



Ordering Information

1215- 2 4 XX XX S XXX C 0 XX $\triangle A1$



TYPE 1

TYPE 2

A4	2025/08/04	Standardization Drawing	CP	OPERATION	DRAW	DATE	SCALE	Fit	PART NO.
A2	2025/03/22	Modify Drawing	CP	x.X ±0.40	CP	2025/08/04	UNIT	mm	1220-24XXXXXXC0XX $\triangle A1$
A1	2018/01/19	Modify P/N	Liu	x.XX ±0.25	CHECK	DATE	SIZE	A4	TITLE:
A0	2012/04/26	NEW	William Chen	x.XXX ±0.15	TANG	2025/08/04	SHEET	1/3	PH2.00 FOUR ROW DOUBLE PLASTIC 180° H=2.0
REV	DATE	MODIFICATION DESCRIPTION	CHANGE	Angle ± 3'	APPROVE	DATE	PROJ.		Customer NO.
				DIM TOL	Stevfen Zhao	2025/08/04			



Http: www.wcon.com

WCON-Dongguan Tel: +86 769 85358920 Fax: +86 769 85358915 E-mail: sales@wcon.com	WCON-Kunshan Tel: +86 512 57468408 Fax: +86 512 57468468 E-mail: salesks@wcon.com
---	--

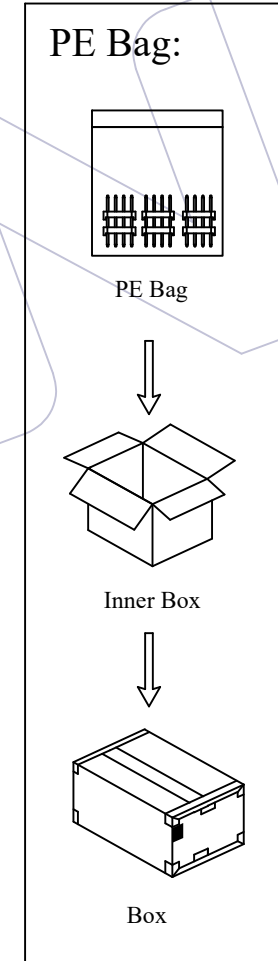
HSF

Table 1

Item	L	C	A	B	Mating
Standard	13.0	7.7	2.80	2.5	2220T/2221/2228
	13.5			3.0	2227T/2228T/2245
	14.0			3.5	2235/2240N/2243C
	14.5			4.0	2240/2243/2245T/2263/2272
	13.3	8.0		2.5	2220T/2221/2228
	13.8			3.0	2227T/2228T/2245
	14.2			3.5	2235/2240N/2243C
	14.8			4.0	2240/2243/2245T/2263/2272
	14.8	9.6		2.5	2220T/2221/2228
	15.3			3.0	2227T/2228T/2245
	15.8			3.5	2235/2240N/2243C
	16.3			4.0	2240/2243/2245T/2263/2272
	15.8	10.6		2.5	2220T/2221/2228
	16.3			3.0	2227T/2228T/2245
	16.8			3.5	2235/2240N/2243C
	17.3			4.0	2240/2243/2245T/2263/2272
	17.3	12.0		2.5	2220T/2221/2228
	17.8			3.0	2227T/2228T/2245
	18.3			3.5	2235/2240N/2243C
	18.8			4.0	2240/2243/2245T/2263/2272
19.3	14.0	2.5	2220T/2221/2228		
19.8		3.0	2227T/2228T/2245		
20.3		3.5	2235/2240N/2243C		
20.8		4.0	2240/2243/2245T/2263/2272		
Alternate					

Item	L	C	A	B	Mating
Standard	12.2	7.7	2.0 (THR)	2.5	2220T/2221/2228
	12.7			3.0	2227T/2228T/2245
	13.3			3.5	2235/2240N/2243C
	13.8			4.0	2240/2243/2245T/2263/2272
	12.5	8.0		2.5	2220T/2221/2228
	13.0			3.0	2227T/2228T/2245
	13.5			3.5	2235/2240N/2243C
	14.0			4.0	2240/2243/2245T/2263/2272
	14.0	9.6		2.5	2220T/2221/2228
	14.5			3.0	2227T/2228T/2245
	15.0			3.5	2235/2240N/2243C
	15.5			4.0	2240/2243/2245T/2263/2272
	15.0	10.6		2.5	2220T/2221/2228
	15.5			3.0	2227T/2228T/2245
	16.0			3.5	2235/2240N/2243C
	16.5			4.0	2240/2243/2245T/2263/2272
	17.0	12.0		2.5	2220T/2221/2228
	17.5			3.0	2227T/2228T/2245
	18.0			3.5	2235/2240N/2243C
	18.5			4.0	2240/2243/2245T/2263/2272
19.0	14.0	2.5	2220T/2221/2228		
19.5		3.0	2227T/2228T/2245		
19.5		3.5	2235/2240N/2243C		
20.0		4.0	2240/2243/2245T/2263/2272		
Alternate					

Packing:



A4	2025/08/04	Standardization Drawing	CP	OPERATION	DRAW	DATE	SCALE	Fit	PART NO.
A2	2025/03/22	Modify Drawing	CP	x.X ±0.40	CP	2025/08/04	UNIT	mm	1220-24XXXXXXC0XX
A1	2018/01/19	Modify P/N	Liu	x.xx ±0.25	CHECK	DATE	SIZE	A4	TITLE:
A0	2012/04/26	NEW	William Chen	x.xxx ±0.15	TANG	2025/08/04	SHEET	2/3	PH2.00 FOUR ROW DOUBLE PLASTIC 180° H=2.0
REV	DATE	MODIFICATION DESCRIPTION	CHANGE	Angle ± 3'	APPROVE	DATE	PROJ.		Customer NO.
				DIM TOL	Stevfen Zhao	2025/08/04			



Http: www.wcon.com

WCON-Dongguan Tel: +86 769 85358920 Fax: +86 769 85358915 E-mail: sales@wcon.com	WCON-Kunshan Tel: +86 512 57468408 Fax: +86 512 57468468 E-mail: salesks@wcon.com
---	--

HSF

Packaging Quantity Refers To The Following Table

PINS /Row	Q'ty/Bag (12.2 ≤ L ≤ 16.5)	PINS /Row	Q'ty/Bag (12.2 ≤ L ≤ 16.5)	PINS /Row	Q'ty/Bag (16.8 ≤ L ≤ 20.8)	PINS /Row	Q'ty/Bag (16.8 ≤ L ≤ 20.8)
2	1000	22	100	2	1000	22	100
3	800	23	100	3	600	23	50
4	600	24	100	4	500	24	50
5	400	25	100	5	400	25	50
6	400	26	100	6	300	26	50
7	400	27	100	7	300	27	50
8	300	28	100	8	200	28	50
9	300	29	50	9	200	29	50
10	200	30	50	10	200	30	50
11	200	31	50	11	200	31	50
12	200	32	50	12	100	32	50
13	200	33	50	13	100	33	50
14	200	34	50	14	100	34	50
15	100	35	50	15	100	35	50
16	100	36	50	16	100	36	50
17	100	37	50	17	100	37	50
18	100	38	50	18	100	38	50
19	100	39	50	19	100	39	50
20	100	40	50	20	100	40	50
21	100			21	100		

A4	2025/08/04	Standardization Drawing	CP	OPERATION	DRAW	DATE	SCALE	Fit	PART NO.
A2	2025/03/22	Modify Drawing	CP	x.X ±0.40	CP	2025/08/04	UNIT	mm	1220-24XXXXXXXCOXX
A1	2018/01/19	Modify P/N	Liu	x.xx ±0.25	CHECK	DATE	SIZE	A4	TITLE:
AO	2012/04/26	NEW	William Chen	x.xxx ±0.15	TANG	2025/08/04	SHEET	3/3	PH2.00 FOUR ROW DOUBLE PLASTIC 180° H=2.0
REV	DATE	MODIFICATION DESCRIPTION	CHANGE	Angle ± 3'	APPROVE	DATE	PROJ.		Customer NO.
				DIM TOL	Stevfen Zhao	2025/08/04			

WCON
[Http: www.wcon.com](http://www.wcon.com)
 WCON-Dongguan Tel: +86 769 85358920
 WCON-Kunshan Tel: +86 512 57468408
 Fax: +86 769 85358915 Fax: +86 512 57468468
 E-mail: sales@wcon.com E-mail: salesks@wcon.com