

Two-point contact
两点接触

Overview

WF1504 is a 1.50mm pitch wire-to-board connector offering high mechanical reliability and the capacity to accommodate more signal lines within a smaller footprint. Available in single-row and dual-row configurations, as well as surface-mount and through-hole variants, it caters to diverse user requirements for angled mating.

概述

WF1504是一款1.50mm间距线到板连接器，产品机械可靠性高并能够在更小空间中承载更多信号线的设备，规格包括单排和双排类型、贴装和通孔型号，满足用户不同角度对插要求。

Features and Benefits

- Internal locking, secure plug-in connection
- Unique terminal design delivers low insertion force
- Enhanced metal solder pads, providing robust retention to the PCB
- Offering vertical and right-angle configurations for flexible design solutions

产品特点

- 内部锁定，牢固插配
- 端子独特设计，提供低插入力
- 增强型金属焊片，牢固与PCB保持力
- 提供垂直和直角，设计灵活

Product Applications

- Automotive: Entertainment systems, power seats, door handles
- Industrial: Scanners, network modules, automation equipment
- Medical: Monitor, blood glucose meter, testing device

应用领域

- 汽车：娱乐影音、电动座椅、门把手
- 工业：扫描仪、网络模块、自动化设备
- 医疗：监护仪、血糖仪、测试仪

Standard 标准

- GB/T 5095
- QC/T 1067、USCAR-2

Material 材料

Part/零件	Material/材料	Finish/电镀	UL Flame retardant/阻燃等级
Housing/主体	PBT	Beige/米黄色 White/白色 Black/黑色 Natural/自然色	UL94V-0
Header/板端	PA9T	Beige/米黄色 White/白色 Black/黑色 Natural/自然色	UL94V-0
Terminal/端子	Copper Alloy 铜合金	Au or Matte Tin plated 镀金或镀雾锡	-

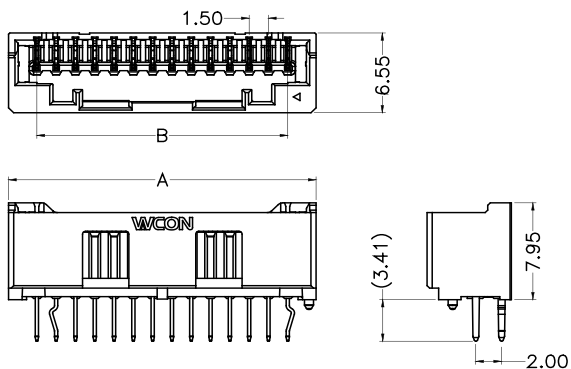
Production Specifications 产品规格

Current rating 额定电流	5.0 A	Operating Temperature Range:-40° C~+125° (including temperature rise) Operating Humidity Range:20-80% 工作温度范围: -40° C~+125° C(含温升) 工作湿度范围: ≤80%	Storage Teroerature: Operating Humidity: 储存温度: 25±5° C 储存湿度: ≤60%
Voltage rating 额定电压	100V		

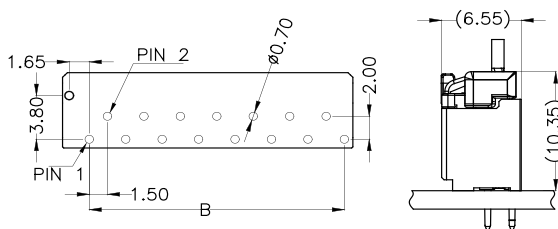
Item 项目	Condition 条件	Specification 规格
Insulation Resistance 绝缘电阻	Measured at 500V DC for 1 minute 测试电压: 500V DC/1分钟	No less than 1000M Ω 不少于1000MΩ
Withstanding voltage 耐电压	Measured at 1000V AC for 1 minute 测试电压: 1000V AC/1分钟	No breakdown, no discharge, leakage current <1mA 无击穿、无放电、漏电流<1mA
Contact Resistance 接触电阻	Measured at 10mA and no higher than 20mV 用20 mV DC进行测量	Contact resistance: Initial value/ 10 mo max After environmental tests/ 20 mo max. 接触电阻: 初始值 10 mΩ 以下 测试后 20 mΩ 以下
Vibration Resistance 抗振动	Frequency : 60 ~ 1200 Hz Duration : 8 Hour/axis Times : Each of three mutually perpendicular planes. 频率: 60 ~ 1200 Hz 时长: 8小时/轴 方向: X/Y/Z	No electrical discontinuity of 1μs or greater 试验过程中未发生1μs瞬断现象, 且外观无损伤, 电气性能正常
Thermal shock test 热冲击	Temperature 温度: -40~125°C Cycle index 循环次数: 100 cycles	Contact resistance: Initial value/ 10 mo max After environmental tests/ 20 mo max. 接触电阻: 初始值 10 mΩ 以下 测试后 20 mΩ 以下
Salt Spray 盐雾	Duration : 48hours 时间: 48小时	Contact resistance: Initial value/ 10 mo max After environmental tests/ 20 mo max. 接触电阻: 初始值 10 mΩ 以下 测试后 20 mΩ 以下
Durability(Mating/un-mating) 插拔寿命	50 cycles 循环50次	Contact resistance: Initial value/ 10 mo max After environmental tests/ 20 mo max. 接触电阻: 初始值 10 mΩ 以下 测试后 20 mΩ 以下

WF1504 Series

Dimensions 尺寸



PCB Layout 印刷电路板布局



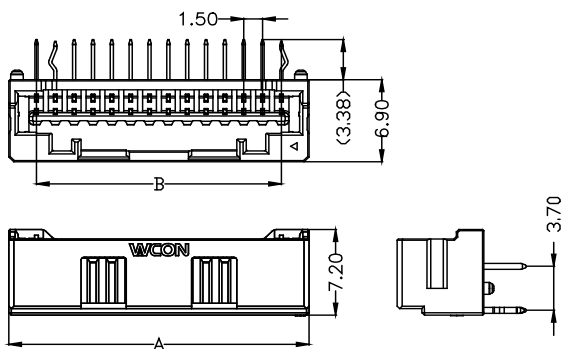
Ordering Information 订购信息

Circuit 芯数	Part number 型号	Dimensions 尺寸 (mm)		Package 包装 Q'ty/Reel 只/卷装	Remake 可量产状态
		A	B		
2	WF1504-1FSH02XXXRX	5.90	1.50	290	
3	WF1504-1FSH03XXXRX	7.40	3.00	290	
4	WF1504-1FSH04XXXRX	8.90	4.50	290	
5	WF1504-1FSH05XXXRX	10.40	6.00	290	
6	WF1504-1FSH06XXXRX	11.90	7.50	290	
7	WF1504-1FSH07XXXRX	13.40	9.00	290	
8	WF1504-1FSH08XXXRX	14.90	10.50	290	
9	WF1504-1FSH09XXXRX	16.40	12.00	290	
10	WF1504-1FSH10XXXRX	17.90	13.50	290	
11	WF1504-1FSH11XXXRX	19.40	15.00	290	
12	WF1504-1FSH12XXXRX	20.90	16.50	290	
13	WF1504-1FSH13XXXRX	22.40	18.00	290	
14	WF1504-1FSH14XXXRX	23.90	19.50	290	
15	WF1504-1FSH15XXXRX	25.40	21.00	290	*

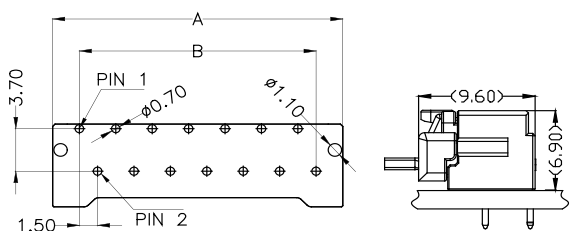
Note: * stands for mass production . 注: *代表可量产

X Please refer to the part number specification. X请参照零件编号规格

Dimensions 尺寸



PCB Layout 印刷电路板布局



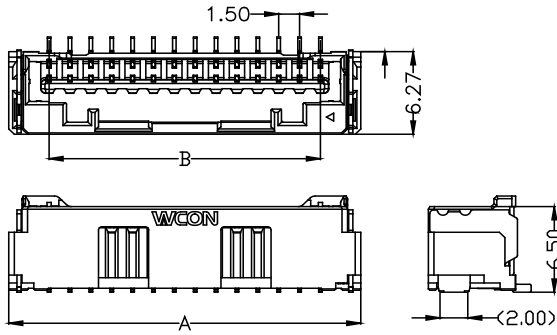
Ordering Information 订购信息

Circuit 芯数	Part number 型号	Dimensions 尺寸 (mm)		Package 包装 Q'ty/Reel 只/卷装	Remake 可量产状态
		A	B		
2	WF1504-1FRH02XXXRX	7.30	1.50	330	
3	WF1504-1FRH03XXXRX	8.80	3.00	330	
4	WF1504-1FRH04XXXRX	10.30	4.50	330	
5	WF1504-1FRH05XXXRX	11.80	6.00	330	
6	WF1504-1FRH06XXXRX	13.30	7.50	330	
7	WF1504-1FRH07XXXRX	14.80	9.00	330	
8	WF1504-1FRH08XXXRX	16.30	10.50	330	
9	WF1504-1FRH09XXXRX	17.80	12.00	330	
10	WF1504-1FRH10XXXRX	19.30	13.50	330	
11	WF1504-1FRH11XXXRX	20.80	15.00	330	
12	WF1504-1FRH12XXXRX	22.30	16.50	330	
13	WF1504-1FRH13XXXRX	23.80	18.00	330	
14	WF1504-1FRH14XXXRX	25.30	19.50	330	
15	WF1504-1FRH15XXXRX	26.80	21.00	330	*

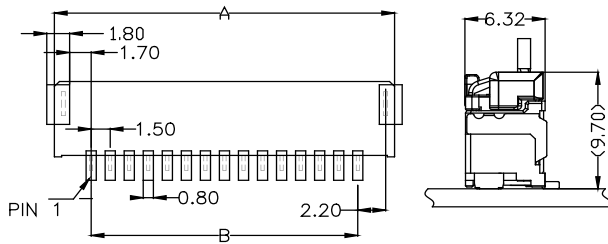
Note: * stands for mass production . 注: *代表可量产

X Please refer to the part number specification. X请参照零件编号规格

Dimensions 尺寸



PCB Layout 印刷电路板布局



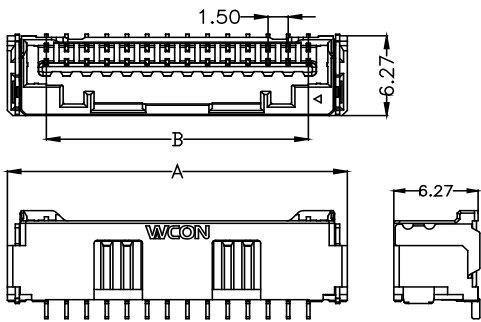
Ordering Information 订购信息

Circuit 芯数	Part number 型号	Dimensions 尺寸 (mm)		Package 包装 Q'ty/Reel 只/卷装	Remake 可量产状态
		A	B		
2	WF1504-1FMH02XXXR1	7.30	1.50	500	*
3	WF1504-1FMH03XXXR1	8.80	3.00	500	
4	WF1504-1FMH04XXXR1	10.30	4.50	500	*
5	WF1504-1FMH05XXXR1	11.80	6.00	500	
6	WF1504-1FMH06XXXR1	13.30	7.50	500	
7	WF1504-1FMH07XXXR1	14.80	9.00	500	
8	WF1504-1FMH08XXXR1	16.30	10.50	500	
9	WF1504-1FMH09XXXR1	17.80	12.00	500	
10	WF1504-1FMH10XXXR1	19.30	13.50	500	*
11	WF1504-1FMH11XXXR1	20.80	15.00	500	*
12	WF1504-1FMH12XXXR1	22.30	16.50	500	
13	WF1504-1FMH13XXXR1	23.80	18.00	500	
14	WF1504-1FMH14XXXR1	25.30	19.50	500	
15	WF1504-1FMH15XXXR1	26.80	21.00	500	*

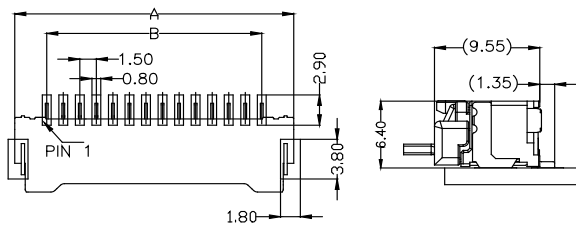
Note: * stands for mass production . 注: *代表可量产

X Please refer to the part number specification. X请参照零件编号规格

Dimensions 尺寸



PCB Layout 印刷电路板布局



Ordering Information 订购信息

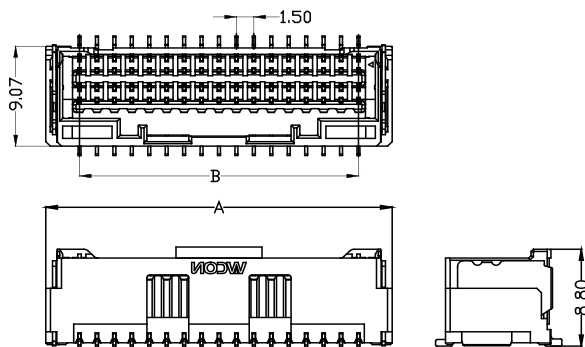
Circuit 芯数	Part number 型号	Dimensions 尺寸 (mm)		Package 包装 Q'ty/Reel 只/卷装	Remake 可量产状态
		A	B		
2	WF1504-1FZH02XXXR1	7.30	1.50	550	*
3	WF1504-1FZH03XXXR1	8.80	3.00	550	
4	WF1504-1FZH04XXXR1	10.30	4.50	550	*
5	WF1504-1FZH05XXXR1	11.80	6.00	550	
6	WF1504-1FZH06XXXR1	13.30	7.50	550	
7	WF1504-1FZH07XXXR1	14.80	9.00	550	
8	WF1504-1FZH08XXXR1	16.30	10.50	550	
9	WF1504-1FZH09XXXR1	17.80	12.00	550	
10	WF1504-1FZH10XXXR1	19.30	13.50	550	*
11	WF1504-1FZH11XXXR1	20.80	15.00	550	*
12	WF1504-1FZH12XXXR1	22.30	16.50	550	
13	WF1504-1FZH13XXXR1	23.80	18.00	550	
14	WF1504-1FZH14XXXR1	25.30	19.50	550	
15	WF1504-1FZH15XXXR1	26.80	21.00	550	*

Note: * stands for mass production . 注: *代表可量产

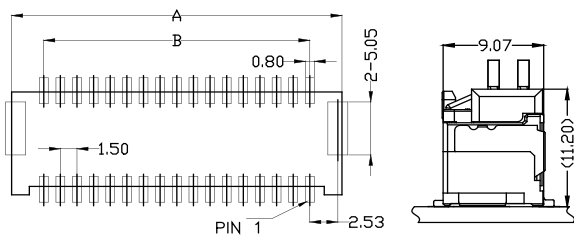
X Please refer to the part number specification. X请参照零件编号规格

WF1504 Series

Dimensions 尺寸



PCB Layout 印刷电路板布局

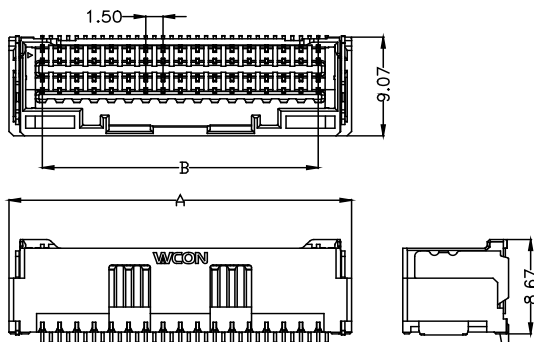


Ordering Information 订购信息

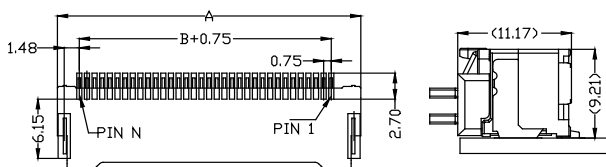
Circuit 芯数	Part number 型号	Dimensions 尺寸 (mm)		Package 包装 Q'ty/Reel 只/卷装	Remake 可量产状态
		A	B		
8	WF1504-2FMH04XXXR1	10.30	4.50	330	*
10	WF1504-2FMH05XXXR1	11.80	6.00	330	
12	WF1504-2FMH06XXXR1	13.30	7.50	330	
14	WF1504-2FMH07XXXR1	14.80	9.00	330	
16	WF1504-2FMH08XXXR1	16.30	10.50	330	
18	WF1504-2FMH09XXXR1	17.80	12.00	330	*
20	WF1504-2FMH10XXXR1	19.30	13.50	330	
22	WF1504-2FMH11XXXR1	20.80	15.00	330	
24	WF1504-2FMH12XXXR1	22.30	16.50	330	
26	WF1504-2FMH13XXXR1	23.80	18.00	330	
28	WF1504-2FMH14XXXR1	25.30	19.50	330	
30	WF1504-2FMH15XXXR1	26.80	21.00	330	
32	WF1504-2FMH16XXXR1	28.30	22.50	330	
34	WF1504-2FMH17XXXR1	29.80	24.00	330	

Note: * stands for mass production . 注: *代表可量产
X Please refer to the part number specification. X请参照零件编号规格

Dimensions 尺寸



PCB Layout 印刷电路板布局

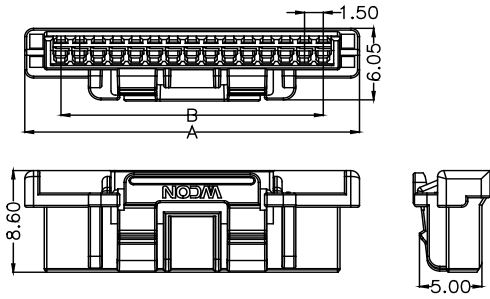


Ordering Information 订购信息

Circuit 芯数	Part number 型号	Dimensions 尺寸 (mm)		Package 包装 Q'ty/Reel 只/卷装	Remake 可量产状态
		A	B		
8	WF1504-2FZH04XXXR1	10.30	4.50	330	*
10	WF1504-2FZH05XXXR1	11.80	6.00	330	
12	WF1504-2FZH06XXXR1	13.30	7.50	330	
14	WF1504-2FZH07XXXR1	14.80	9.00	330	
16	WF1504-2FZH08XXXR1	16.30	10.50	330	
18	WF1504-2FZH09XXXR1	17.80	12.00	330	*
20	WF1504-2FZH10XXXR1	19.30	13.50	330	
22	WF1504-2FZH11XXXR1	20.80	15.00	330	
24	WF1504-2FZH12XXXR1	22.30	16.50	330	
26	WF1504-2FZH13XXXR1	23.80	18.00	330	
28	WF1504-2FZH14XXXR1	25.30	19.50	330	
30	WF1504-2FZH15XXXR1	26.80	21.00	330	
32	WF1504-2FZH16XXXR1	28.30	22.50	330	
34	WF1504-2FZH17XXXR1	29.80	24.00	330	

Note: * stands for mass production . 注: *代表可量产
X Please refer to the part number specification. X请参照零件编号规格

Dimensions 尺寸

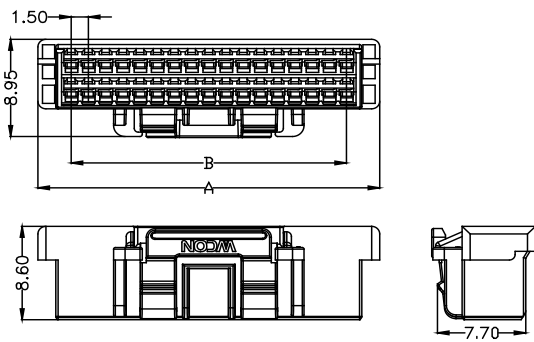


Ordering Information 订购信息

Circuit 芯数	Part number 型号	Dimensions 尺寸 (mm)		Parkage 包装 Q'ty/Bag 只/袋装	Remake 可量产状态
		A	B		
2	WF1504-1H02X01	7.30	1.50	1000	
3	WF1504-1H03X01	8.80	3.00	1000	
4	WF1504-1H04X01	10.30	4.50	1000	
5	WF1504-1H05X01	11.80	6.00	1000	
6	WF1504-1H06X01	13.30	7.50	500	
7	WF1504-1H07X01	14.80	9.00	500	
8	WF1504-1H08X01	16.30	10.50	500	
9	WF1504-1H09X01	17.80	12.00	500	
10	WF1504-1H10X01	19.30	13.50	500	*
11	WF1504-1H11X01	20.80	15.00	300	*
12	WF1504-1H12X01	22.30	16.50	300	
13	WF1504-1H13X01	23.80	18.00	300	
14	WF1504-1H14X01	25.30	19.50	200	
15	WF1504-1H15X01	26.80	21.00	200	*

Note: * stands for mass production . 注: *代表可量产

Dimensions 尺寸



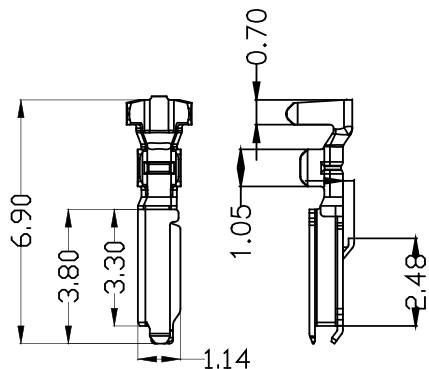
Ordering Information 订购信息

Circuit 芯数	Part number 型号	Dimensions 尺寸 (mm)		Parkage 包装 Q'ty/Bag 只/袋装	Remake 可量产状态
		A	B		
8	WF1504-2H04X01	10.30	4.50	1000	
10	WF1504-2H05X01	11.80	6.00	1000	
12	WF1504-2H06X01	13.30	7.50	1000	
14	WF1504-2H07X01	14.80	9.00	1000	
16	WF1504-2H08X01	16.30	10.50	500	
18	WF1504-2H09X01	17.80	12.00	500	*
20	WF1504-2H10X01	19.30	13.50	500	
22	WF1504-2H11X01	20.80	15.00	500	
24	WF1504-2H12X01	22.30	16.50	500	
26	WF1504-2H13X01	23.80	18.00	300	*
28	WF1504-2H14X01	25.30	19.50	300	
30	WF1504-2H15X01	26.80	21.00	300	
32	WF1504-2H16X01	28.30	22.50	200	
34	WF1504-2H17X01	29.80	24.00	200	

Note: * stands for mass production . 注: *代表可量产

WF1504 Series

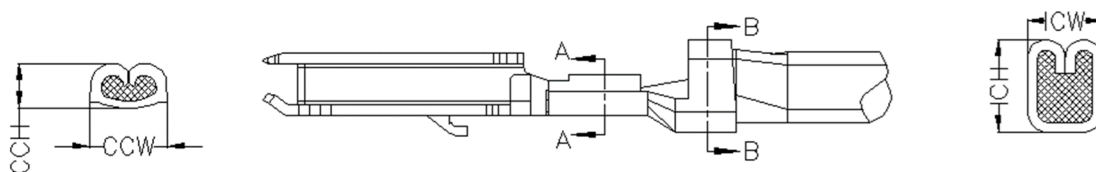
Adaptor Terminal 适配端子



型号 Model number	线径 Wire Diameter
WF1504-MCTXX01	24~26 AWG
WF1504-MCTXX012	28~30 AWG

Terminal Crimp specification 端子压接规范

型号 Model number	电线类型 Wire type	电线规格 Wire size	线缆 OD (mm) Cable OD (mm)	剥线长度 (mm) Strip length (mm)	导体铆压 (A-A) Conductor crimp		绝缘体铆压 (B-B) Insulation crimp	
					压接宽度CCW(mm) Crimping width (mm)	压接高度CCH(mm) Crimping height (mm)	压接高度ICH(mm) Crimping height (mm)	压接宽度ICW(mm) Crimping width (mm)
WF1504-MTCXX01	UL 1061	24 AWG	1.10±0.10	1.80± 0.10mm	1.01	0.60~0.65	1.45	1.15 Max
	UL 1061	26 AWG	1.00±0.10		1.01	0.55~0.60	1.35	1.15 Max
	UL 1061	28 AWG	0.90±0.10		0.80	0.50~0.55	1.30	1.15 Max
WF1504-MTCXX02	UL 1061	26 AWG	1.00±0.10		1.01	0.55~0.60	1.35	1.15 Max
	UL 1061	28 AWG	0.90±0.10		0.80	0.50~0.55	1.30	1.15 Max
	UL 1061	30 AWG	0.80±0.10		0.80	0.47~0.52	1.18	1.15 Max



Model number allocation 型号命名

WF1504	-	1	FS	H	XX	XX	X	R	X
(1)		(2)	(3)		(4)	(5)	(6)	(7)	(8)
(1) Series(系列): Wafer 1.50mm Series					(5) Circuit(位数): 02=2.....15=15P				
(2) Row(行数): 1=Single Row 单排					(6) Color(颜色): W=White、E=Beige、T=Natural、B=Black				
(3) Terminal type(端子形态): FS=S/T DIP FR=R/A DIP FM=S/T SMT FZ=R/A SMT					(7) Packing(包装): R=Tape&Reel 卷带装				
(4) Plating(电镀): SM=Matte Tin、W3=10U''Gold/Matte Tin、 W4=15U''Gold/Matte Tin、W5=30U''Gold/Matte Tin					(8) Internal code(流水码) 1=With Boss 2=Without Boss				

WF1504	-	2	FM	H	XX	XX	X	R	1
(1)		(2)	(3)		(4)	(5)	(6)	(7)	(8)
(1) Series (系列): Wafer 1.50mm Series					(5) Circuit (位数): 04=4.....17=17P				
(2) Row (排数): 2=Double Row 双排					(6) Color (颜色): W=White、E=Beige、T=Natural、B=Black				
(3) Terminal type (端子形态): FM=S/T SMT、FZ=R/A SMT					(7) Packing (包装): R=Tape&Reel 卷带装				
(4) Plating (电镀): SM=Matte Tin、W3=10U''Gold/Matte Tin、W4=15U''Gold/Matte Tin、W5=30U''Gold/Matte Tin					(8) Internal code (流水码)				

WF1504	-	X	H	XX	X	01
(1)		(2)	(3)	(4)	(5)	(6)
(1) Series (系列): Wafer 1.50mm Series				(4) Circuit (位数): 02=2.....15=15P(Single Row) 04=4.....17=17P(Double Row)		
(2) Row (排数): 1=Single Row (单排) 2=Double Row (双排)				(5) Color (颜色): W=White、E=Beige、T=Natural、B=Black		
(3) Product type (产品类型): H=Crimp Type Housing				(6) Internal code (流水码)		

Contact Us 联系我们

维峰电子股份有限公司(总部)
WCON ELECTRONICS CO.,LTD(HQ)
地址:广东省东莞市虎门镇大宁文明路15号
Add :No.15,Wenming Road,Daning Community, Humen Town, Dongguan, Guangdong.523930, China

昆山维康电子有限公司
KUNSHAN WCON ELECTRONIC CO.,LTD(East of China)
地址:昆山市千灯镇汶浦中路169号
Add : No.169, WenPu Middle Road, QianDeng Town, Kunshan City, Jiangsu Province, China

合肥维峰电子有限公司
HEFEI WCON ELECTRONIC CO.,LTD
地址:安徽合肥市高新技术产业开发区绿城科技园E栋2楼
Add : 2F, Building E, Greentown Science Park, High-tech Development Zone, Hefei, Anhui, China

维康电子(泰国)有限公司
WCON ELECTRONICS (Thailand) CO.,LTD
地址:泰国巴真武里府西玛铺县华瓦区洛加纳工业园
Add: VG3C+H57, Hua Wa, Si Maha Phot District, Prachin Buri 25140, Thailand

销售联系方式 Sales Contacts

国际客户部 International Sales Department
salesdg01@wcon.com
salesdg05@wcon.com

大客户专线 Key Account Line
华南: salesdg28@wcon.com
华东: salesks@wcon.com

中小客户专线 Small and Medium-sized Account Line
华南: salesdg10@wcon.com
华东: salesks01@wcon.com

网络销售 Online sales
salesdg26@wcon.com



Official Website



Product e-catalog



WeChat Public#



TikTok Public#