

Two-point contact
两点接触

Overview

WF2010 series products are 2.00mm pitch high density, small size, double contact design can give the product contact stability, vibration resistance, shock resistance, and can provide-signal transmission for the device to provide a wire-to-board connector.

概述

WF2010系列产品是一款2.00mm间距高密度、小体积，双触点的设计能给予产品接触稳定、抗振动、耐冲击的性能，同时能为设备提供信号传输的线到板连接器。

Features and Benefits

- Flexible and versatile installation methods
- Double bottoming design, stable contact
- Small size, high density
- Vibration and shock resistant

产品特点

- 灵活多样的安装方式
- 双触底设计、接触稳定
- 小体积、高密度
- 抗振动、耐冲击

Product Applications

- Automotive: Steering System , Gear lever , Entertainment and audio-visual
- Industrial: robotic arm , Drone transport , Network services

应用领域

- 汽车：转向系统、换挡杆、娱乐影音
- 工业：机械手臂、无人机运输、网络服务

Standard 标准

- QCT 1067, USCAR-2, GB/T 5095, GB/T 4208, QC/T29106

UL certification UL认证

- E248993

Material 材料

Part/零件	Material/材料	Finish/电镀	UL Flame retardant/阻燃等级
Housing/主体	PBT	Natural/本色 Black/黑色	UL94V-0
Header/板端	PA9T	Red/红色 Black/黑色 Natural/本色 Blue/蓝色	UL94V-0
Terminal/端子	phosphor bronze 磷铜 (C7025)	Tin plated 镀锡	-

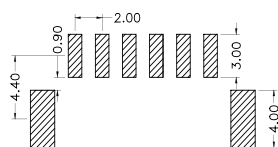
Production Specifications 产品规格

Current rating 额定电流	4.7A (2pin) 3.5A (3~8pin) 3.4 A (9~16pin)	Operating temperature Range:-40° C~+125° C (including temperature rise) Operating Humidity Range:20-80% 工作温度范围: -40° C~+125° C(含温升) 工作湿度范围: 20-80%	Storage temperature: Operating Humidity: 储存温度: 25±5° C 储存湿度: ≤60%
Voltage rating 额定电压	250V		

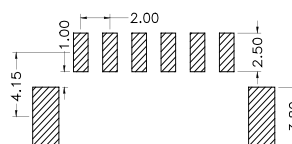
Item 项目	Condition 条件	Specification 规格
Insulation Resistance 绝缘电阻	Measured at 500V DC for 1 minute 测试电压: 500V DC/1分钟	No less than 1000MΩ 不少于1000MΩ
Withstanding voltage 耐电压	Measured at 1000V AC for 1 minute 测试电压: 1000V AC/1分钟	No breakdown, no discharge, leakage current <1.0mA 无击穿、无放电、漏电流<1.0mA
Contact Resistance 接触电阻	Measured at 100mA and no higher than 20mV 用20 mV DC进行测量	Contact resistance: Initial value/ 10 mΩ max After environmental tests/ 20 mΩ max. 接触电阻: 初始值 10 mΩ 以下 测试后 20 mΩ 以下
Vibration Resistance 抗振动	Frequency : 60 ~ 1200 Hz Acceleration : 12.1g Duration : 8H/axis Vibration : X、Y、Z 频率: 60 ~ 1200 Hz 加速度: 12.1g 时长: 8小时/轴 振动方向: X、Y、Z	No electrical discontinuity of 1μs or greater 试验过程中未发生1μs瞬断现象, 且外观无损伤, 电气性能正常
Humidity (Steady state) 湿度	Temperature : -40~+125° C Humidity: 90 ~95% (R.H) Duration : 240 hours 温度: -40~+125° C 湿度: 90~95% (R.H) 时间: 240小时	Contact resistance: Initial value/ 10 mΩ max After environmental tests/ 20 mΩ max. 接触电阻: 初始值 10 mΩ 以下 测试后 20 mΩ 以下
Salt Spry 盐雾	Temperature:35± 2°C Solution concentration : 5%NaCl PHValue : 6.5 ~ 7.2 Duration : 48hours 温度: 35±2° C 溶液浓度: 5%NaCl PH值: 6.5~7.2 时间: 48小时	Contact resistance: After environmental tests/ 20 mΩ max. 接触电阻: 测试后 20 mΩ 以下
Durability(Mating/un- mating) 插拔寿命	30 cycles 循环30次	Contact resistance: After environmental tests/ 20 mΩ max. 接触电阻: 测试后 20 mΩ 以下

PCB Layout 印刷电路板布局

(S/T)SMT type 表面贴装型



(R/A)SMT type 表面贴装型



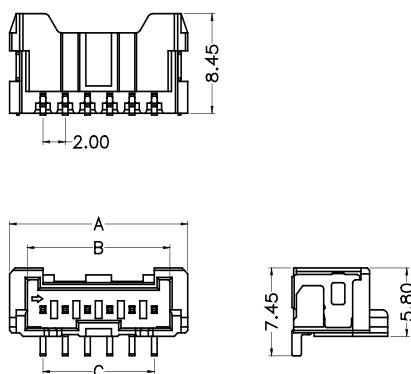
WF2010 Series

Ordering Information 订购信息

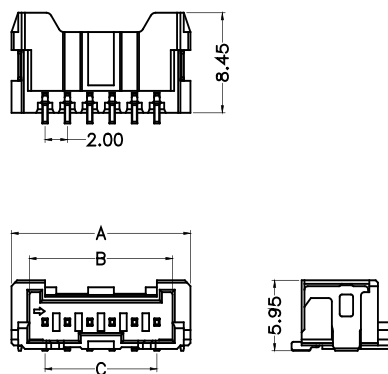
Circuit 芯数	Part number 型号		Dimensions 尺寸 (mm)			Package 包装 Q'ty/Reel 只/卷装		Remake 可量产状态	
	S/T SMT	R/A SMT	A	B	C	S/T SMT	R/A SMT	S/T SMT	R/A SMT
2	WF2010-1WMH02XX1W	WF2010-1WZH02XX1W	8.00	4.80	2.00	450	600	*	*
3	WF2010-1WMH03XX1W	WF2010-1WZH03XX1W	10.00	6.80	4.00	450	600		
4	WF2010-1WMH04XX1W	WF2010-1WZH04XX1W	12.00	8.80	6.00	450	600	*	*
5	WF2010-1WMH05XX1W	WF2010-1WZH05XX1W	14.00	10.80	8.00	450	600	*	*
6	WF2010-1WMH06XX1W	WF2010-1WZH06XX1W	16.00	12.80	10.00	450	600	*	*
7	WF2010-1WMH07XX1W	WF2010-1WZH07XX1W	18.00	14.80	12.00	450	600		
8	WF2010-1WMH08XX1W	WF2010-1WZH08XX1W	20.00	16.80	14.00	450	600		
9	WF2010-1WMH09XX1W	WF2010-1WZH09XX1W	22.00	18.80	16.00	450	600		
10	WF2010-1WMH10XX1W	WF2010-1WZH10XX1W	24.00	20.80	18.00	450	600		
11	WF2010-1WMH11XX1W	WF2010-1WZH11XX1W	26.00	22.80	20.00	450	600		
12	WF2010-1WMH12XX1W	WF2010-1WZH12XX1W	28.00	24.80	22.00	450	600	*	*
13	WF2010-1WMH13XX1W	WF2010-1WZH13XX1W	30.00	26.80	24.00	450	600		
14	WF2010-1WMH14XX1W	WF2010-1WZH14XX1W	32.00	28.80	26.00	450	600		
15	WF2010-1WMH15XX1W	WF2010-1WZH15XX1W	34.00	30.80	28.00	450	600	*	*
16	WF2010-1WMH16XX1W	WF2010-1WZH16XX1W	36.00	32.80	30.00	450	600	*	*

Note: * stands for mass production . 注: *代表可量产

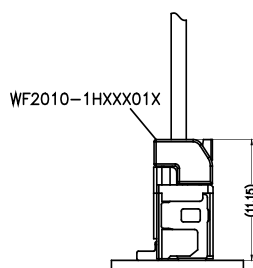
Dimensions 尺寸 (S/T SMT)



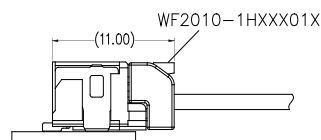
Dimensions 尺寸 (R/A SMT)



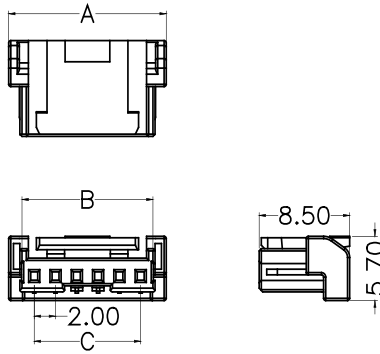
Assembly Schematic 装配示意



Assembly Schematic 装配示意



Dimensions 尺寸

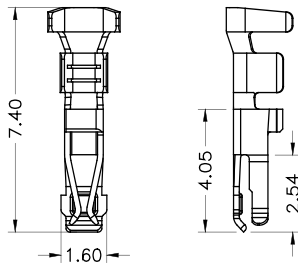


Ordering Information 订购信息

Circuit 芯数	Part number 型号	Dimensions 尺寸 (mm)			Package 包装 Qty/Bag 只/袋装	Remake 可量产状态
		A	B	C		
2	WF2010-1H02X01W	6.80	4.70	2.00	1000	*
3	WF2010-1H03X01W	8.80	6.70	4.00	1000	
4	WF2010-1H04X01W	10.80	8.70	6.00	1000	*
5	WF2010-1H05X01W	12.80	10.70	8.00	1000	*
6	WF2010-1H06X01W	14.80	12.70	10.00	1000	*
7	WF2010-1H07X01W	16.80	14.70	12.00	1000	
8	WF2010-1H08X01W	18.80	16.70	14.00	1000	
9	WF2010-1H09X01W	20.80	18.70	16.00	1000	
10	WF2010-1H10X01W	22.80	20.70	18.00	1000	
11	WF2010-1H11X01W	24.80	22.70	20.00	500	
12	WF2010-1H12X01W	26.80	24.70	22.00	500	*
13	WF2010-1H13X01W	28.80	26.70	24.00	500	
14	WF2010-1H14X01W	30.80	28.70	26.00	500	
15	WF2010-1H15X01W	32.80	30.70	28.00	500	*
16	WF2010-1H16X01W	34.80	32.70	30.00	500	*

Note: * stands for mass production . 注: *代表可量产

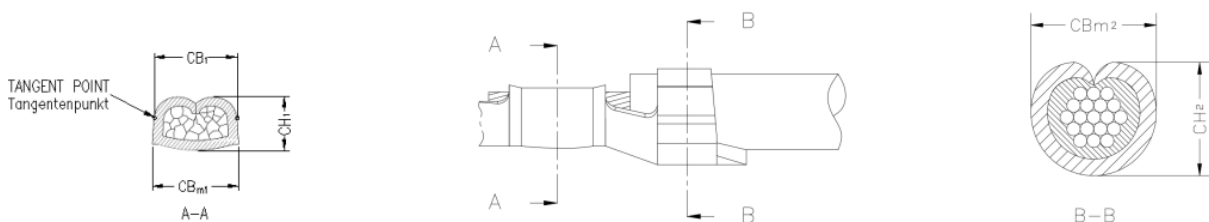
Adaptor Terminal 适配端子



型号 Model number	WF2010-TCSN01
--------------------	---------------

Terminal Crimp specification 端子压接规范

型号 Model number	电线类型 Wire type	电线规格 Wire size	线缆 OD (mm) Cable OD (mm)	剥线长度 (mm) Strip length (mm)	导体铆压 (A-A) Conductor crimp			绝缘体铆压 (B-B) Insulation crimp	
					压接宽度CB1(mm) Crimping width (mm)	压接高度 Crimping height (mm)	压接宽度CBm2(mm) Crimping width (mm)	压接高度CH2(mm) Crimping height (mm)	
WF2010-TPSN01	AVSS	0.35mm ²	1.40±0.1	1.80±0.1	0.93	0.93	1.29	1.55	1.51
	FLRY-A	0.35mm ²	1.2±0.1	1.80±0.1	0.81	0.81	1.27	1.55	1.44
	UL1332	22AWG	1.40±0.1	1.80±0.1	0.95	0.95	1.3	1.55	1.5
	AVSS	0.2mm ²	1.20±0.1	1.80±0.1	1.325	1.325	0.806	1.57	1.66
	FLRY-A	0.2mm ²	1.10±0.1	1.80±0.1	1.327	1.327	0.8	1.57	1.58
	UL1332	24AWG	1.20±0.1	1.80±0.1	1.343	1.343	0.813	1.57	1.66
	UL1061	26AWG	1.00±0.05	1.8±0.1	1.23	1.23	0.75	1.55	1.15



WF2010 Series

Model number allocation 型号命名

WF2010	-	1	XX	H	XX	X	X	1	W
(1)		(2)	(3)	(4)	(5)	(6)	(7)	(8)	(9)
(1) Series (系列): Wafer 2.00mm Series					(6) Color(颜色): R=Red、B=Black、T=Natural、U=Blue				
(2) Number of rows (排数): 1=Single Row					(7) Packing (包装): T=Tube、R=Tape&Reel (with CAP)				
(3) Terminal type(端子形态): WM=S/T SMT、WZ=R/A SMT					(8) Internal code (流水码)				
(4) Product type(产品类型): H=High temperature-resistance					(9)W=WCON Logo、Blank=No Logo				
(5)Circuit(位数): 02=2P.....16=16P									

WF2010	-	1	H	XX	X	0	1
(1)		(2)	(3)	(4)	(5)	(6)	(7)
(1) Series (系列): Wafer 2.00mm Series				(5) Color(颜色): B=Black、T=Natural			
(2) Number of rows (排数): 1=Single Row				(6) Packing (包装): 0=PE Bag			
(3) Product type(产品类型): H=Crimp Type Housing				(7)Internal code (流水码)			
(4) Circuit(位数): 02=2P.....16=16P							

Contact Us 联系我们

维峰电子股份有限公司(总部)
WCON ELECTRONICS CO.,LTD(HQ)
地址:广东省东莞市虎门镇大宁文明路15号
Add :No.15,Wenming Road,Danling Community, Humen Town, Dongguan, Guangdong.523930, China

昆山维康电子有限公司
KUNSHAN WCON ELECTRONICIS CO.,LTD(East of China)
地址:昆山市千灯镇汶浦中路169号
Add : No.169, WenPu Middle Road, QianDeng Town, Kunshan City, Jiangsu Province, China

合肥维峰电子有限公司
HEFEI WCON ELECTRONICIS CO.,LTD
地址:安徽合肥市高新技术开发区绿城科技园E栋2楼
Add : 2F, Building E, Greentown Science Park,High-tech Development Zone, Hefei, Anhui,China

维康电子(泰国)有限公司
WCON ELECTRONICS (Thailand) CO.,LTD
地址:泰国巴真武里府西玛铺县华瓦区洛加纳工业园
Add: VG3C+H57, Hua Wa, Si Maha Phot District, Prachin Buri 25140, Thailand

销售联系方式 Contacts Information

国际客户部 International sales department
salesdg01@wcon.com
salesdg05@wcon.com

大客户专线 Major customer dedicated department
华南: salesdg28@wcon.com
华东: salesks@wcon.com

中小客户专线 Public Customer hot line
华南: salesdg10@wcon.com
华东: salesks01@wcon.com

网络销售 Online sales department
salesdg26@wcon.com



Official Website



Product e-catalog



WeChat Public#



TikTok Public#