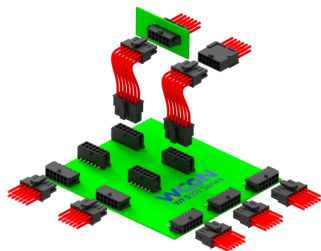


## WF3001 Series

## WF3001系列

3.00mm pitch/Wire-to-board Connector

3.00mm间距/线到板连接器



Two-point contact  
两点接触

### Overview

The WF3001 series is a high-performance, compact connector that offers power and flexibility without compromising space or reliability. It is a durable and feature-rich wire-to-board and wire-to-wire connector.

### 概述

WF3001系列是一款高性能、紧凑型连接器，在不影响空间、可靠性的情况下提供了功率和灵活性，是一款耐用且功能丰富的线到板、线到线连接器。

### Features and Benefits

- Anti-misplug structure
- Flexible and versatile installation methods
- Supports reflow soldering process (LCP material)
- With lock design, the connection is stable

### 产品特点

- 防错插对插结构
- 灵活多样安装方式
- 支持回流焊工艺（LCP料）
- 带有锁扣设计，连接稳定

### Product Applications

- Industrial: Industrial automation, Industrial servers
- Consumer: Refrigerator, washing machine, game console
- Network: Routers, servers, storage devices
- Medical: Diagnostic equipment, patient monitors

### 应用领域

- 工业：自动化设备、工业服务器
- 消费类：冰箱、洗衣机、游戏机
- 网络：路由器、服务器、存储器
- 医疗：诊断设备、病人监护仪

### Standard 标准

- EIA-364

### UL certification UL认证

- E248993

### Material 材料

| Part/零件     | Material/材料  | Finish/电镀                        | UL Flame retardant/阻燃等级 |
|-------------|--|----------------------------------|-------------------------|
| Housing/主体  | PA66   | Beige/米色<br>White/白色<br>Black/黑色 | UL94V-0                 |
| Header/板端   | LCP  | Black/黑色                         | UL94V-0                 |
| Terminal/端子 | phosphor bronze<br>磷铜 (C5191)<br>Brass<br>黄铜 (C2680) | Tin plated<br>镀锡                 | -                       |

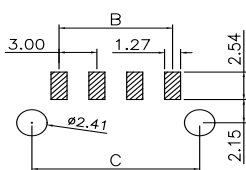
Production Specifications 产品规格

|                        |        |   |  |
|------------------------|--------|---|--|
| Current rating<br>额定电流 | 5.0 A  | Operating temperature Range:-40° C~+105° C (including temperature rise)<br>Operating Humidity Range:20-80%<br>工作温度范围: -40° C~+105° C(含温升)<br>工作湿度范围: 20-80% | Storage temperature:<br>Operating Humidity:<br>储存温度: 25±5° C<br>储存湿度: ≤60% |
| Voltage rating<br>额定电压 | 50V/AC |   |  |

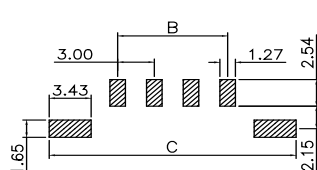
| Item 项目                              | Condition 条件   | Specification 规格  |
|--------------------------------------|--|---|
| Insulation Resistance<br>绝缘电阻        | Measured at 1000V DC for 1 minute<br>测试电压: 1000V DC/1分钟  | No less than 1000MΩ<br>不少于1000MΩ  |
| Withstanding voltage<br>耐电压          | Measured at 1000V AC for 1 minute<br>测试电压: 1000V AC/1分钟  | No breakdown, no discharge, leakage current <0.5mA<br>无击穿、无放电、漏电流<0.5mA   |
| Contact Resistance<br>接触电阻           | Measured at 100mA and no higher than 20mV<br>用20 mV DC进行测量   | Contact resistance:<br>Initial value/ 10 mΩ max<br>After environmental tests/ 20 mΩ max.<br>接触电阻: 初始值 10 mΩ 以下<br>测试后 20 mΩ 以下                                    |
| Vibration Resistance<br>抗振动          | Frequency : 10 ~ 2000 Hz<br>PSD value: 5.35 G <sub>rms</sub><br>Duration : 15 minutes/axis<br>Vibration : X、Y、Z<br>频率: 10 ~ 2000 Hz<br>PSD 值: 5.35 G <sub>rms</sub><br>时长: 15分钟/轴<br>振动方向: X、Y、Z | No electrical discontinuity of 1μs or greater<br>试验过程中未发生1μs瞬断现象, 且外观无损伤, 电气性能正常  |
| Humidity (Steady state)<br>湿度        | Temperature : -25° C~65° C<br>Humidity: 90 ~95% (R.H)<br>Duration : 96hours<br>温度: -25° C~65° C<br>湿度: 90~95% (R.H)<br>时间: 96小时  | Contact resistance:<br>Initial value/ 10 mΩ max<br>After environmental tests/ 20 mΩ max.<br>接触电阻: 初始值 10 mΩ 以下<br>测试后 20 mΩ 以下                                    |
| Salt Spry<br>盐雾                      | Temperature:35±2° C<br>Solution concentration : 5%NaCl<br>PH Value : 6.5 ~ 7.2<br>Duration : 12hours<br>温度: 35±2° C<br>溶液浓度: 5%NaCl<br>PH值: 6.5~7.2<br>时间: 12小时                                  | Contact resistance:<br>Initial value/ 10 mΩ max<br>After environmental tests/ 20 mΩ max.<br>No evidence of damage.<br>接触电阻: 初始值 10 mΩ 以下<br>测试后 20 mΩ 以下<br>无损坏迹象 |
| Durability(Mating/un-mating)<br>插拔寿命 | 300 cycles<br>循环300次   | Contact resistance:<br>Initial value/ 10 mΩ max<br>After environmental tests/ 20 mΩ max.<br>接触电阻: 初始值 10 mΩ 以下<br>测试后 20 mΩ 以下                                    |

PCB Layout 印刷电路板布局 (Single Row)

(S/T)SMT type 表面贴装型

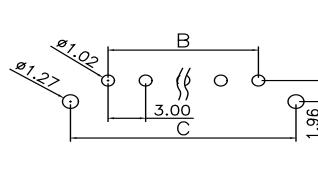


WF3001-1WMXXBX1

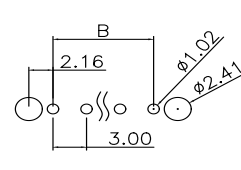


WF3001-1WMXXBX2

(S/T)DIP type 通孔焊接型



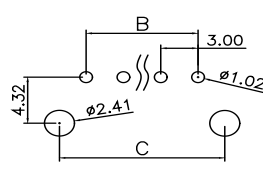
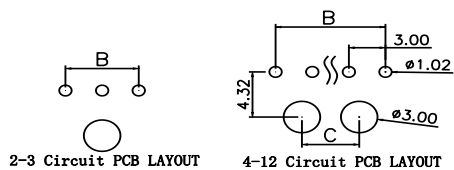
WF3001-1WSXXBX1



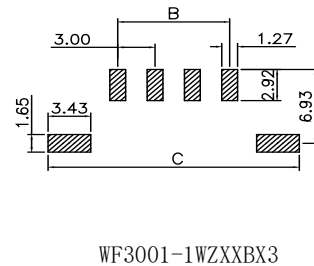
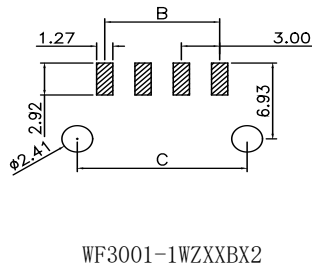
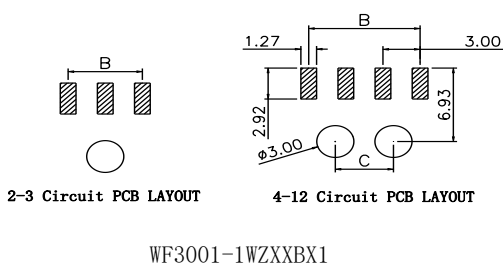
WF3001-1WSXXBX2

WF3001 Series

(R/A)DIP type 通孔焊接型

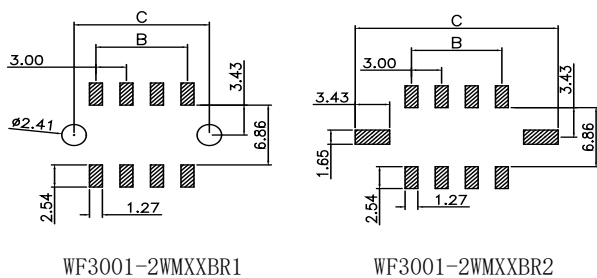


(R/A)SMT type 表面贴装型

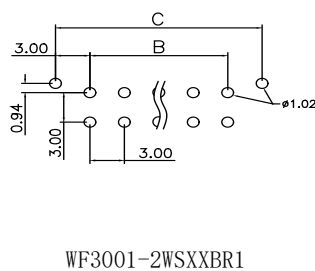


PCB Layout 印刷电路板布局 (Double Row)

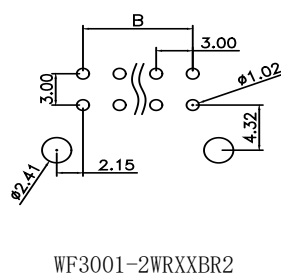
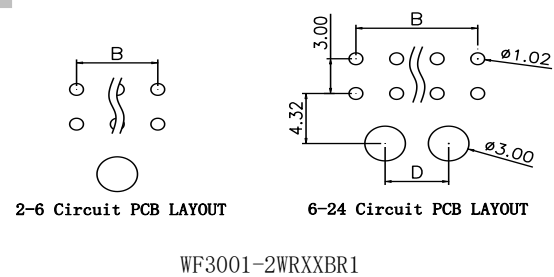
(S/T)SMT type 表面贴装型



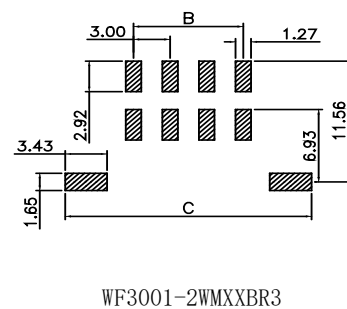
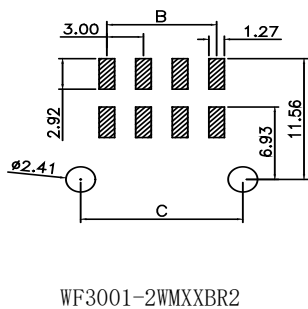
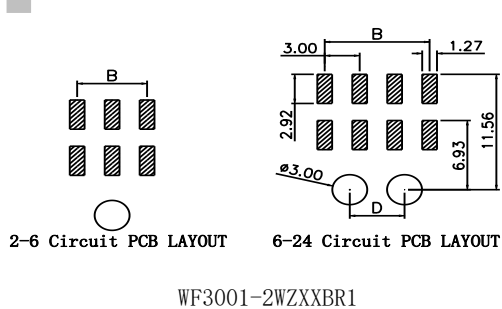
(S/T)DIP type 通孔焊接型



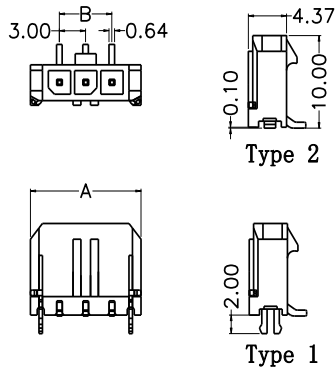
(R/A)DIP type 通孔焊接型



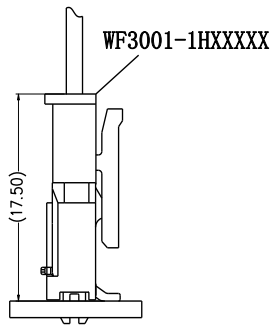
(R/A)SMT type 表面贴装型



Dimensions 尺寸 (S/T SMT)



Assembly Schematic 装配示意

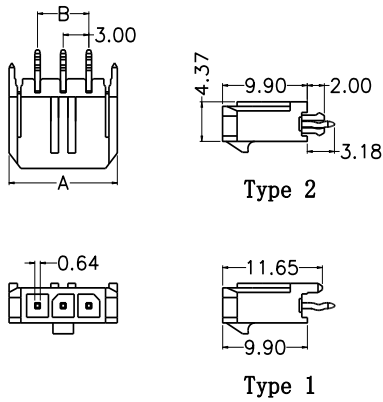


Ordering Information 订购信息

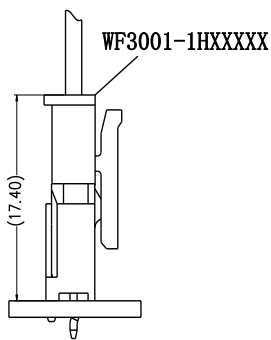
| Circuit<br>芯数 | Part number 型号  | Dimensions<br>尺寸 (mm) |       | Parkage 包装<br>Q'ty/Reel 只/卷装 |        | Remake<br>可量产状<br>态 |
|---------------|-----------------|-----------------------|-------|------------------------------|--------|---------------------|
|               |                 | S/T SMT               | A     | B                            | Type 1 |                     |
| 2             | WF3001-1WM02BXX | 9.65                  | 3.00  | 300                          | 350    | *                   |
| 3             | WF3001-1WM03BXX | 12.65                 | 6.00  | 300                          | 350    | *                   |
| 4             | WF3001-1WM04BXX | 15.65                 | 9.00  | 300                          | 350    | *                   |
| 5             | WF3001-1WM05BXX | 18.65                 | 12.00 | 300                          | 350    | *                   |
| 6             | WF3001-1WM06BXX | 21.65                 | 15.00 | 300                          | 350    | *                   |
| 7             | WF3001-1WM07BXX | 24.65                 | 18.00 | 300                          | 350    | *                   |
| 8             | WF3001-1WM08BXX | 27.65                 | 21.00 | 300                          | 350    | *                   |
| 9             | WF3001-1WM09BXX | 30.65                 | 24.00 | 300                          | 350    | *                   |
| 10            | WF3001-1WM10BXX | 33.65                 | 27.00 | 300                          | 350    | *                   |
| 11            | WF3001-1WM11BXX | 36.65                 | 30.00 | 300                          | 350    | *                   |
| 12            | WF3001-1WM12BXX | 39.65                 | 33.00 | 300                          | 350    | *                   |

Note: \* stands for mass production . 注: \*代表可量产

Dimensions 尺寸 (S/T DIP)



Assembly Schematic 装配示意



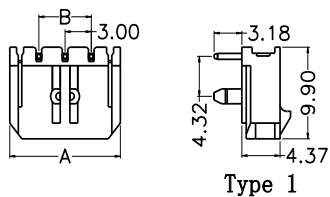
Ordering Information 订购信息

| Circuit<br>芯数 | Part number 型号  | Dimensions<br>尺寸 (mm) |       | Parkage 包装<br>Q'ty/Tube 只/<br>管装 | Remake<br>可量产状<br>态 |
|---------------|-----------------|-----------------------|-------|----------------------------------|---------------------|
|               |                 | S/T DIP               | A     |                                  |                     |
| 2             | WF3001-1WS02BXX | 9.65                  | 3.00  | 60                               | *                   |
| 3             | WF3001-1WS03BXX | 12.65                 | 6.00  | 45                               | *                   |
| 4             | WF3001-1WS04BXX | 15.65                 | 9.00  | 37                               | *                   |
| 5             | WF3001-1WS05BXX | 18.65                 | 12.00 | 31                               | *                   |
| 6             | WF3001-1WS06BXX | 21.65                 | 15.00 | 26                               | *                   |
| 7             | WF3001-1WS07BXX | 24.65                 | 18.00 | 23                               | *                   |
| 8             | WF3001-1WS08BXX | 27.65                 | 21.00 | 20                               | *                   |
| 9             | WF3001-1WS09BXX | 30.65                 | 24.00 | 18                               | *                   |
| 10            | WF3001-1WS10BXX | 33.65                 | 27.00 | 17                               | *                   |
| 11            | WF3001-1WS11BXX | 36.65                 | 30.00 | 15                               | *                   |
| 12            | WF3001-1WS12BXX | 39.65                 | 33.00 | 14                               | *                   |

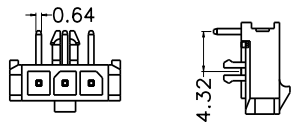
Note: \* stands for mass production . 注: \*代表可量产

# WF3001 Series

## Dimensions 尺寸 (R/A DIP)

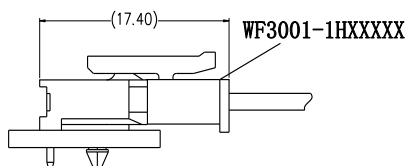


Type 1



Type 2

## Assembly Schematic 装配示意

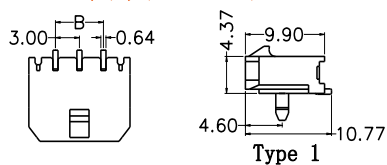


## Ordering Information 订购信息

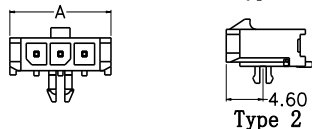
| Circuit<br>芯数 | Part number 型号  | Dimensions<br>尺寸 (mm) |       | Parkage 包装<br>Q'ty/Tube 只/<br>管装 | Remake<br>可量产状<br>态 |
|---------------|-----------------|-----------------------|-------|----------------------------------|---------------------|
|               | R/A DIP         | A                     | B     |                                  |                     |
| 2             | WF3001-1WR02BXX | 9.65                  | 3.00  | 60                               | *                   |
| 3             | WF3001-1WR03BXX | 12.65                 | 6.00  | 45                               | *                   |
| 4             | WF3001-1WR04BXX | 15.65                 | 9.00  | 37                               | *                   |
| 5             | WF3001-1WR05BXX | 18.65                 | 12.00 | 31                               | *                   |
| 6             | WF3001-1WR06BXX | 21.65                 | 15.00 | 26                               | *                   |
| 7             | WF3001-1WR07BXX | 24.65                 | 18.00 | 23                               | *                   |
| 8             | WF3001-1WR08BXX | 27.65                 | 21.00 | 20                               | *                   |
| 9             | WF3001-1WR09BXX | 30.65                 | 24.00 | 18                               | *                   |
| 10            | WF3001-1WR10BXX | 33.65                 | 27.00 | 17                               | *                   |
| 11            | WF3001-1WR11BXX | 36.65                 | 30.00 | 15                               | *                   |
| 12            | WF3001-1WR12BXX | 39.65                 | 33.00 | 14                               | *                   |

Note: \* stands for mass production . 注: \*代表可量产

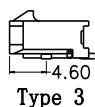
## Dimensions 尺寸 (R/A SMT)



Type 1

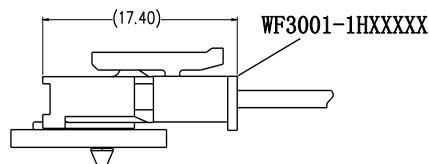


Type 2



Type 3

## Assembly Schematic 装配示意

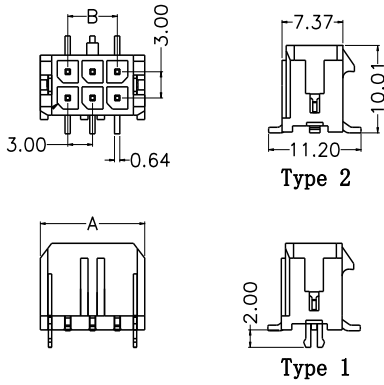


## Ordering Information 订购信息

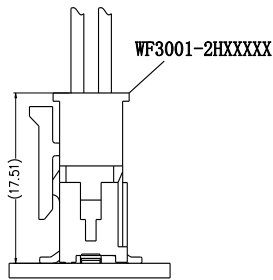
| Circuit<br>芯数 | Part number 型号  | Dimensions<br>尺寸 (mm) |       | Parkage 包装<br>Q'ty/Reel 只/卷装 |        | Remake<br>可量产状<br>态 |
|---------------|-----------------|-----------------------|-------|------------------------------|--------|---------------------|
|               | R/A SMT         | A                     | B     | Type 1/2                     | Type 3 |                     |
| 2             | WF3001-1WZ02BXX | 9.65                  | 3.00  | 300                          | 550    | *                   |
| 3             | WF3001-1WZ03BXX | 12.65                 | 6.00  | 300                          | 550    | *                   |
| 4             | WF3001-1WZ04BXX | 15.65                 | 9.00  | 300                          | 550    | *                   |
| 5             | WF3001-1WZ05BXX | 18.65                 | 12.00 | 300                          | 550    | *                   |
| 6             | WF3001-1WZ06BXX | 21.65                 | 15.00 | 300                          | 550    | *                   |
| 7             | WF3001-1WZ07BXX | 24.65                 | 18.00 | 300                          | 550    | *                   |
| 8             | WF3001-1WZ08BXX | 27.65                 | 21.00 | 300                          | 550    | *                   |
| 9             | WF3001-1WZ09BXX | 30.65                 | 24.00 | 300                          | 550    | *                   |
| 10            | WF3001-1WZ10BXX | 33.65                 | 27.00 | 300                          | 550    | *                   |
| 11            | WF3001-1WZ11BXX | 36.65                 | 30.00 | 300                          | 550    | *                   |
| 12            | WF3001-1WZ12BXX | 39.65                 | 33.00 | 300                          | 550    | *                   |

Note: \* stands for mass production . 注: \*代表可量产

Dimensions 尺寸 (S/T SMT)



Assembly Schematic 装配示意

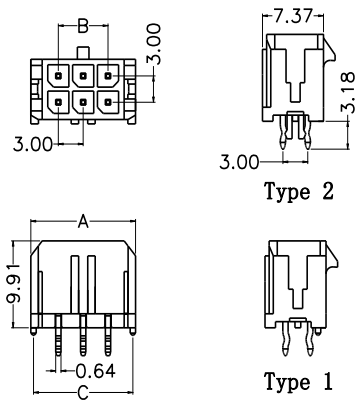


Ordering Information 订购信息

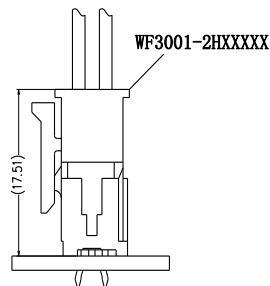
| Circuit<br>芯数 | Part number 型号  | Dimensions<br>尺寸 (mm) |       | Parkage 包装<br>Q'ty/Reel 只/<br>卷装 | Remake<br>可量产状<br>态 |
|---------------|-----------------|-----------------------|-------|----------------------------------|---------------------|
|               | S/T SMT         | A                     | B     |                                  |                     |
| 2*1           | WF3001-2WM01BXX | 6.65                  | /     | 250                              | *                   |
| 2*2           | WF3001-2WM02BXX | 9.65                  | 3.00  | 250                              | *                   |
| 2*3           | WF3001-2WM03BXX | 12.65                 | 6.00  | 250                              | *                   |
| 2*4           | WF3001-2WM04BXX | 15.65                 | 9.00  | 250                              | *                   |
| 2*5           | WF3001-2WM05BXX | 18.65                 | 12.00 | 250                              | *                   |
| 2*6           | WF3001-2WM06BXX | 21.65                 | 15.00 | 250                              | *                   |
| 2*7           | WF3001-2WM07BXX | 24.65                 | 18.00 | 250                              | *                   |
| 2*8           | WF3001-2WM08BXX | 27.65                 | 21.00 | 250                              | *                   |
| 2*9           | WF3001-2WM09BXX | 30.65                 | 24.00 | 250                              | *                   |
| 2*10          | WF3001-2WM10BXX | 33.65                 | 27.00 | 250                              | *                   |
| 2*11          | WF3001-2WM11BXX | 36.65                 | 30.00 | 250                              | *                   |
| 2*12          | WF3001-2WM12BXX | 39.65                 | 33.00 | 250                              | *                   |

Note: \* stands for mass production . 注: \*代表可量产

Dimensions 尺寸 (S/T DIP)



Assembly Schematic 装配示意



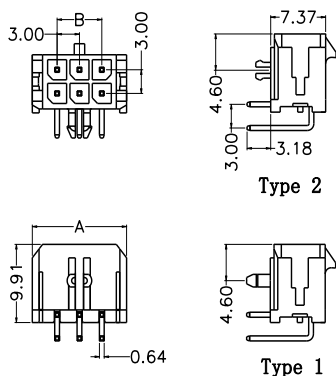
Ordering Information 订购信息

| Circuit<br>芯数 | Part number 型号  | Dimensions<br>尺寸 (mm) |       | Parkage 包装<br>Q'ty/Tube 只/<br>管装 | Remake<br>可量产状<br>态 |
|---------------|-----------------|-----------------------|-------|----------------------------------|---------------------|
|               | S/T DIP         | A                     | B     |                                  |                     |
| 2*1           | WF3001-2WS01BXX | 6.65                  | /     | 504 (Tray)                       | *                   |
| 2*2           | WF3001-2WS02BXX | 9.65                  | 3.00  | 348 (Tray)                       | *                   |
| 2*3           | WF3001-2WS03BXX | 12.65                 | 6.00  | 45                               | *                   |
| 2*4           | WF3001-2WS04BXX | 15.65                 | 9.00  | 37                               | *                   |
| 2*5           | WF3001-2WS05BXX | 18.65                 | 12.00 | 31                               | *                   |
| 2*6           | WF3001-2WS06BXX | 21.65                 | 15.00 | 26                               | *                   |
| 2*7           | WF3001-2WS07BXX | 24.65                 | 18.00 | 23                               | *                   |
| 2*8           | WF3001-2WS08BXX | 27.65                 | 21.00 | 20                               | *                   |
| 2*9           | WF3001-2WS09BXX | 30.65                 | 24.00 | 18                               | *                   |
| 2*10          | WF3001-2WS10BXX | 33.65                 | 27.00 | 17                               | *                   |
| 2*11          | WF3001-2WS11BXX | 36.65                 | 30.00 | 15                               | *                   |
| 2*12          | WF3001-2WS12BXX | 39.65                 | 33.00 | 14                               | *                   |

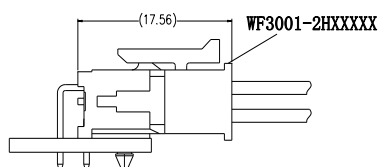
Note: \* stands for mass production . 注: \*代表可量产

# WF3001 Series

## Dimensions 尺寸 (R/A DIP)



## Assembly Schematic 装配示意

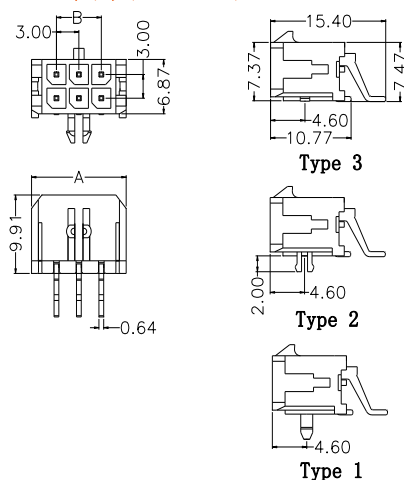


## Ordering Information 订购信息

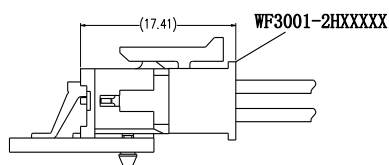
| Circuit<br>芯数 | Part number 型号  | Dimensions<br>尺寸 (mm) |       | Parkage 包装<br>Qty/Tube 只/<br>管装 | Remake<br>可量产状<br>态 |
|---------------|-----------------|-----------------------|-------|---------------------------------|---------------------|
|               |                 | A                     | B     |                                 |                     |
| 2*1           | WF3001-2WR01BXX | 6.65                  | /     | 492 (Tray)                      | *                   |
| 2*2           | WF3001-2WR02BXX | 9.65                  | 3.00  | 60                              | *                   |
| 2*3           | WF3001-2WR03BXX | 12.65                 | 6.00  | 45                              | *                   |
| 2*4           | WF3001-2WR04BXX | 15.65                 | 9.00  | 37                              | *                   |
| 2*5           | WF3001-2WR05BXX | 18.65                 | 12.00 | 31                              | *                   |
| 2*6           | WF3001-2WR06BXX | 21.65                 | 15.00 | 26                              | *                   |
| 2*7           | WF3001-2WR07BXX | 24.65                 | 18.00 | 23                              | *                   |
| 2*8           | WF3001-2WR08BXX | 27.65                 | 21.00 | 20                              | *                   |
| 2*9           | WF3001-2WR09BXX | 30.65                 | 24.00 | 18                              | *                   |
| 2*10          | WF3001-2WR10BXX | 33.65                 | 27.00 | 17                              | *                   |
| 2*11          | WF3001-2WR11BXX | 36.65                 | 30.00 | 15                              | *                   |
| 2*12          | WF3001-2WR12BXX | 39.65                 | 33.00 | 14                              | *                   |

Note: \* stands for mass production . 注: \*代表可量产

## Dimensions 尺寸 (R/A SMT)



## Assembly Schematic 装配示意

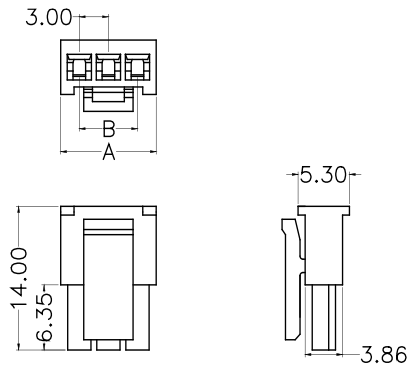


## Ordering Information 订购信息

| Circuit<br>芯数 | Part number 型号  | Dimensions<br>尺寸 (mm) |       | Parkage 包装<br>Qty/Reel 只/卷装 |        |        | Remake<br>可量产状<br>态 |
|---------------|-----------------|-----------------------|-------|-----------------------------|--------|--------|---------------------|
|               |                 | A                     | B     | Type 1                      | Type 2 | Type 3 |                     |
| 2*1           | WF3001-2WZ01BXX | 6.65                  | /     | 190                         | 200    | 250    | *                   |
| 2*2           | WF3001-2WZ02BXX | 9.65                  | 3.00  | 190                         | 200    | 250    | *                   |
| 2*3           | WF3001-2WZ03BXX | 12.65                 | 6.00  | 190                         | 200    | 250    | *                   |
| 2*4           | WF3001-2WZ04BXX | 15.65                 | 9.00  | 190                         | 200    | 250    | *                   |
| 2*5           | WF3001-2WZ05BXX | 18.65                 | 12.00 | 190                         | 200    | 250    | *                   |
| 2*6           | WF3001-2WZ06BXX | 21.65                 | 15.00 | 190                         | 200    | 250    | *                   |
| 2*7           | WF3001-2WZ07BXX | 24.65                 | 18.00 | 190                         | 200    | 250    | *                   |
| 2*8           | WF3001-2WZ08BXX | 27.65                 | 21.00 | 190                         | 200    | 250    | *                   |
| 2*9           | WF3001-2WZ09BXX | 30.65                 | 24.00 | 190                         | 200    | 250    | *                   |
| 2*10          | WF3001-2WZ10BXX | 33.65                 | 27.00 | 190                         | 200    | 250    | *                   |
| 2*11          | WF3001-2WZ11BXX | 36.65                 | 30.00 | 190                         | 200    | 250    | *                   |
| 2*12          | WF3001-2WZ12BXX | 39.65                 | 33.00 | 190                         | 200    | 250    | *                   |

Note: \* stands for mass production . 注: \*代表可量产

Dimensions 尺寸

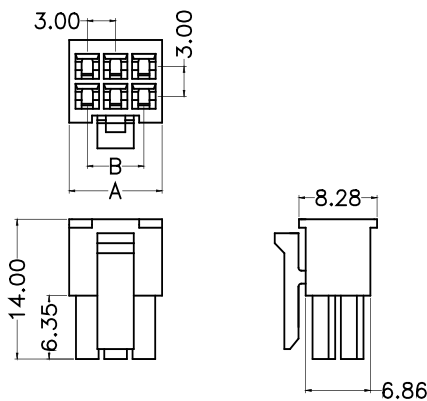


Ordering Information 订购信息

| Circuit<br>芯数 | Part number 型号 | Dimensions<br>尺寸 (mm) |       | Package 包装<br>Q'ty/Bag 只/<br>袋装 | Remake<br>可量产状<br>态 |
|---------------|----------------|-----------------------|-------|---------------------------------|---------------------|
|               |                | A                     | B     |                                 |                     |
| 2             | WF3001-1H02B01 | 6.85                  | 3.00  | 1000                            | *                   |
| 3             | WF3001-1H03B01 | 9.85                  | 6.00  | 1000                            | *                   |
| 4             | WF3001-1H04B01 | 12.85                 | 9.00  | 1000                            | *                   |
| 5             | WF3001-1H05B01 | 15.85                 | 12.00 | 1000                            | *                   |
| 6             | WF3001-1H06B01 | 18.85                 | 15.00 | 1000                            | *                   |
| 7             | WF3001-1H07B01 | 21.85                 | 18.00 | 1000                            | *                   |
| 8             | WF3001-1H08B01 | 24.85                 | 21.00 | 800                             | *                   |
| 9             | WF3001-1H09B01 | 27.85                 | 24.00 | 800                             | *                   |
| 10            | WF3001-1H10B01 | 30.85                 | 27.00 | 600                             | *                   |
| 11            | WF3001-1H11B01 | 33.85                 | 30.00 | 600                             | *                   |
| 12            | WF3001-1H12B01 | 36.85                 | 33.00 | 500                             | *                   |

Note: \* stands for mass production . 注: \*代表可量产

Dimensions 尺寸

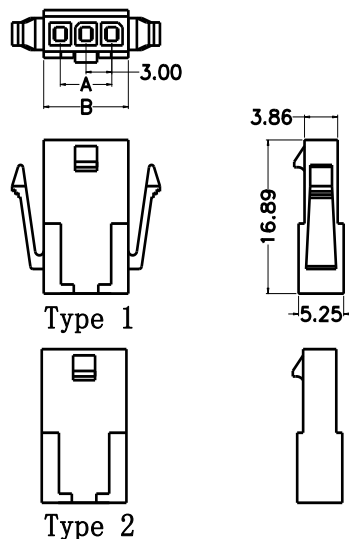


Ordering Information 订购信息

| Circuit<br>芯数 | Part number 型号 | Dimensions<br>尺寸 (mm) |       | Package 包装<br>Q'ty/Bag 只/<br>袋装 | Remake<br>可量产状<br>态 |
|---------------|----------------|-----------------------|-------|---------------------------------|---------------------|
|               |                | A                     | B     |                                 |                     |
| 2*1           | WF3001-2H01B01 | 3.85                  | /     | 1000                            | *                   |
| 2*2           | WF3001-2H02B01 | 6.85                  | 3.00  | 1000                            | *                   |
| 2*3           | WF3001-2H03B01 | 9.85                  | 6.00  | 1000                            | *                   |
| 2*4           | WF3001-2H04B01 | 12.85                 | 9.00  | 1000                            | *                   |
| 2*5           | WF3001-2H05B01 | 15.85                 | 12.00 | 1000                            | *                   |
| 2*6           | WF3001-2H06B01 | 18.85                 | 15.00 | 1000                            | *                   |
| 2*7           | WF3001-2H07B01 | 21.85                 | 18.00 | 500                             | *                   |
| 2*8           | WF3001-2H08B01 | 24.85                 | 21.00 | 500                             | *                   |
| 2*9           | WF3001-2H09B01 | 27.85                 | 24.00 | 500                             | *                   |
| 2*10          | WF3001-2H10B01 | 30.85                 | 27.00 | 500                             | *                   |
| 2*11          | WF3001-2H11B01 | 33.85                 | 30.00 | 300                             | *                   |
| 2*12          | WF3001-2H12B01 | 36.85                 | 33.00 | 300                             | *                   |

Note: \* stands for mass production . 注: \*代表可量产

Dimensions 尺寸



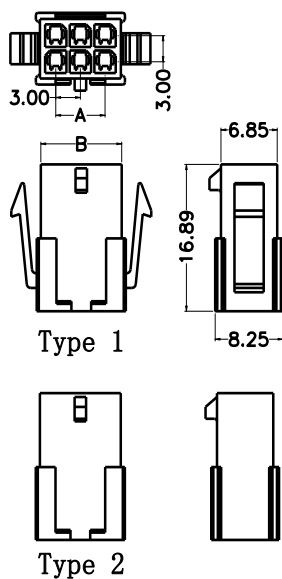
Ordering Information 订购信息

| Circuit<br>芯数 | Part number 型号  | Dimensions<br>尺寸 (mm) |       | Package 包装<br>Q'ty/Bag 只/<br>袋装 | Remake<br>可量产状<br>态 |
|---------------|-----------------|-----------------------|-------|---------------------------------|---------------------|
|               |                 | A                     | B     |                                 |                     |
| 2             | WF3001-1HK02B0X | 3.00                  | 6.85  | 1000                            | *                   |
| 3             | WF3001-1HK03B0X | 6.00                  | 9.85  | 1000                            | *                   |
| 4             | WF3001-1HK04B0X | 9.00                  | 12.85 | 1000                            | *                   |
| 5             | WF3001-1HK05B0X | 12.00                 | 15.85 | 1000                            | *                   |
| 6             | WF3001-1HK06B0X | 15.00                 | 18.85 | 1000                            | *                   |
| 7             | WF3001-1HK07B0X | 18.00                 | 21.85 | 500                             | *                   |
| 8             | WF3001-1HK08B0X | 21.00                 | 24.85 | 500                             | *                   |
| 9             | WF3001-1HK09B0X | 24.00                 | 27.85 | 500                             | *                   |
| 10            | WF3001-1HK10B0X | 27.00                 | 30.85 | 500                             | *                   |
| 11            | WF3001-1HK11B0X | 30.00                 | 33.85 | 500                             | *                   |
| 12            | WF3001-1HK12B0X | 33.00                 | 36.85 | 500                             | *                   |

Note: \* stands for mass production . 注: \*代表可量产

# WF3001 Series

## Dimensions 尺寸

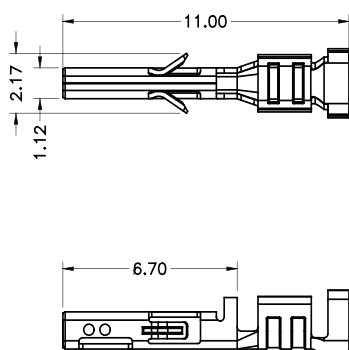


## Ordering Information 订购信息

| Circuit 芯数 | Part number 型号  | Dimensions 尺寸 (mm) |       | Package 包装 Q'ty/Bag 只/袋装 | Remake 可量产状态 |
|------------|-----------------|--------------------|-------|--------------------------|--------------|
|            |                 | A                  | B     |                          |              |
| 2*1        | WF3001-2HK01B0X | /                  | 3.85  | 1000                     | *            |
| 2*2        | WF3001-2HK02B0X | 3.00               | 6.85  | 1000                     | *            |
| 2*3        | WF3001-2HK03B0X | 6.00               | 9.85  | 1000                     | *            |
| 2*4        | WF3001-2HK04B0X | 9.00               | 12.85 | 1000                     | *            |
| 2*5        | WF3001-2HK05B0X | 12.00              | 15.85 | 1000                     | *            |
| 2*6        | WF3001-2HK06B0X | 15.00              | 18.85 | 1000                     | *            |
| 2*7        | WF3001-2HK07B0X | 18.00              | 21.85 | 500                      | *            |
| 2*8        | WF3001-2HK08B0X | 21.00              | 24.85 | 500                      | *            |
| 2*9        | WF3001-2HK09B0X | 24.00              | 27.85 | 400                      | *            |
| 2*10       | WF3001-2HK10B0X | 27.00              | 30.85 | 400                      | *            |
| 2*11       | WF3001-2HK11B0X | 30.00              | 33.85 | 400                      | *            |
| 2*12       | WF3001-2HK12B0X | 33.00              | 36.85 | 300                      | *            |

Note: \* stands for mass production . 注: \*代表可量产

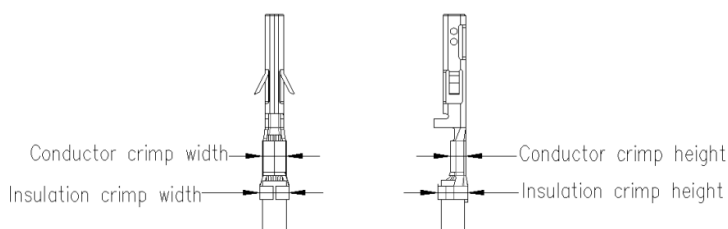
## Adaptor Terminal 适配端子



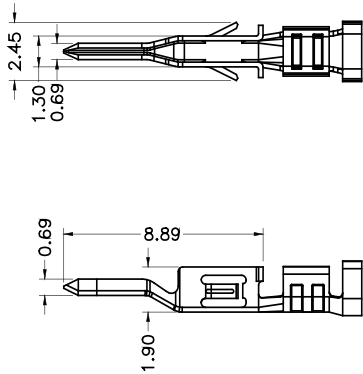
| Part number 型号 | Suitable wire diameter 适配线径 |
|----------------|-----------------------------|
| WF3001-TXXX01  | 20~24AWG                    |
| WF3001-TXXX02  | 26~28AWG                    |
| WF3001-TXXX03  | 18~20AWG                    |
| WF3001-TXXX04  | 16AWG                       |

## Terminal Crimp specification 端子压接规范

| 型号 Model number | 电线类型 Wire type | 电线规格 Wire size | 线缆 OD (mm) Cable OD (mm) | 剥线长度 (mm) Strip length (mm) | 导体铆压 (A-A) Conductor crimp      |                      | 绝缘体铆压 (B-B) Insulation crimp    |                                   |
|-----------------|----------------|----------------|--------------------------|-----------------------------|---------------------------------|----------------------|---------------------------------|-----------------------------------|
|                 |                |                |                          |                             | 压接宽度CW1(mm) Crimping width (mm) | 压接高度 Crimping height | 压接宽度CW2(mm) Crimping width (mm) | 压接高度CH2 (mm) Crimping height (mm) |
| WF3001-TXXX01   | UL1007         | 20#AWG         | 1.80±0.10                | 2.54-2.92                   | 1.40±0.03                       | 0.89-0.99            | 1.83 Ref.                       | 1.70 Ref.                         |
|                 | UL1007         | 22#AWG         | 1.60±0.10                | 2.54-2.92                   | 1.40±0.03                       | 0.83-0.93            | 1.72 Ref.                       | 1.58 Ref.                         |
|                 | UL1007         | 24#AWG         | 1.40±0.10                | 2.54-2.92                   | 1.40±0.03                       | 0.83-0.93            | 1.72 Ref.                       | 1.58 Ref.                         |
| WF3001-TXXX02   | UL1007         | 26#AWG         | 1.30±0.10                | 2.54-2.92                   | 1.10±0.03                       | 0.77-0.83            | 1.41 Ref.                       | 1.38 Ref.                         |
|                 | UL1007         | 28#AWG         | 1.20±0.10                | 2.54-2.92                   | 1.10±0.03                       | 0.72-0.78            | 1.40 Ref.                       | 1.38 Ref.                         |
| WF3001-TXXX03   | UL1061         | 18#AWG         | 1.80±0.10                | 2.54-2.92                   | 1.60±0.05                       | 1.15-1.25            | 1.80 Ref.                       | 1.90 Ref.                         |
|                 | UL1061         | 20#AWG         | 1.50±0.10                | 2.54-2.92                   | 1.60±0.05                       | 1.05-1.15            | 1.80 Ref.                       | 1.90 Ref.                         |
| WF3001-TXXX04   | UL1061         | 16#AWG         | 2.10±0.10                | 2.54-2.92                   | 1.80±0.05                       | 1.45-1.55            | 2.40 Ref.                       | 2.20 Ref.                         |



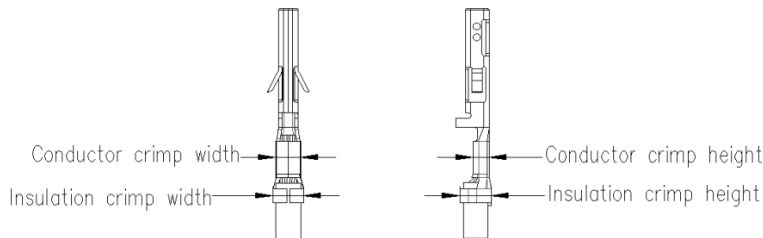
Adaptor Terminal 适配端子



| Part number 型号 | Suitable wire diameter 适配线径 |
|----------------|-----------------------------|
| WF3001-MTXXX01 | 20~24AWG                    |
| WF3001-MTXXX02 | 26~28AWG                    |
| WF3001-MTXXX03 | 18~20AWG                    |
| WF3001-MTXXX04 | 16AWG                       |

Terminal Crimp specification 端子压接规范

| 型号<br>Model number | 电线类型<br>Wire type | 电线规格<br>Wire size | 线缆 OD<br>(mm)<br>Cable OD<br>(mm) | 剥线长度<br>(mm)<br>Strip length<br>(mm) | 导体铆压 (A-A)<br>Conductor crimp      |                         | 绝缘体铆压 (B-B)<br>Insulation crimp       |  |
|--------------------|-------------------|-------------------|-----------------------------------|--------------------------------------|------------------------------------|-------------------------|---------------------------------------|--|
|                    |                   |                   |                                   |                                      | 压接宽度CW1(mm)<br>Crimping width (mm) | 压接高度<br>Crimping height | 压接宽度CW2(mm)<br>Crimping width<br>(mm) | 压接高度CH2<br>(mm)<br>Crimping height<br>(mm) |
| WF3001-MTXXX01     | UL1007            | 20#AWG            | 1.80±0.10                         | 2.54-2.92                            | 1.40±0.03                          | 0.89-0.99               | 1.83 Ref.                             | 1.70 Ref.                                  |
|                    | UL1007            | 22#AWG            | 1.60±0.10                         | 2.54-2.92                            | 1.40±0.03                          | 0.83-0.93               | 1.72 Ref.                             | 1.58 Ref.                                  |
|                    | UL1007            | 24#AWG            | 1.40±0.10                         | 2.54-2.92                            | 1.40±0.03                          | 0.83-0.93               | 1.72 Ref.                             | 1.58 Ref.                                  |
| WF3001-MTXXX02     | UL1007            | 26#AWG            | 1.30±0.10                         | 2.54-2.92                            | 1.10±0.03                          | 0.77-0.83               | 1.41 Ref.                             | 1.38 Ref.                                  |
|                    | UL1007            | 28#AWG            | 1.20±0.10                         | 2.54-2.92                            | 1.10±0.03                          | 0.72-0.78               | 1.40 Ref.                             | 1.38 Ref.                                  |
| WF3001-MTXXX03     | UL1061            | 18#AWG            | 1.80±0.10                         | 2.54-2.92                            | 1.60±0.05                          | 1.15-1.25               | 1.80 Ref.                             | 1.90 Ref.                                  |
|                    | UL1061            | 20#AWG            | 1.50±0.10                         | 2.54-2.92                            | 1.60±0.05                          | 1.05-1.15               | 1.80 Ref.                             | 1.90 Ref.                                  |
| WF3001-MTXXX04     | UL1061            | 16#AWG            | 2.10±0.10                         | 2.54-2.92                            | 1.80±0.05                          | 1.45-1.55               | 2.40 Ref.                             | 2.20 Ref.                                  |



Model number allocation 型号命名

|               |   |          |           |           |          |          |          |
|---------------|---|----------|-----------|-----------|----------|----------|----------|
| <b>WF3001</b> | - | <b>X</b> | <b>XX</b> | <b>XX</b> | <b>B</b> | <b>X</b> | <b>X</b> |
| (1)           |   | (2)      | (3)       | (4)       | (5)      | (6)      | (7)      |

(1) Series (系列): Wafer 3.00mm Series (5)Color(颜色): B=Black

(2) Number of rows (排数): 1=Single Row, 2=Double Row (6) Packing (包装): R=Tape&Reel, T=Tube, 0=PE Bag, A=Tray

(3) Terminal type(端子形态): WM=S/T SMT, WS=S/T DIP, WR=R/A DIP, WZ=R/A SMT (7) Internal code (流水码): 1=type 1, 2=type 2, 3=type 3

(4) Circuit (位数): 2=2P.....12=12P (Single Row)  
2\*1=2P.....2\*12=24P (Double Row)

## WF3001 Series

|  |   |          |          |  |          |           |
|--|---|----------|----------|--|----------|-----------|
| <b>WF3001</b>  | - | <b>X</b> | <b>H</b> | <b>XX</b>  | <b>B</b> | <b>01</b> |
| (1)  |   | (2)      | (3)      | (4)  | (5)      | (6)       |
| (1) Series (系列): Wafer 3.00mm Series                   |   |          |          | (4) Circuit (位数): 2=2P.....12=12P (Single Row)<br>2*1=2P.....2*12=24P (Double Row) |          |           |
| (2) Number of rows (排数): 1=Single Row、<br>2=Double Row |   |          |          | (5) Color(颜色): B=Black   |          |           |
| (3) Product type (产品类型): H=Crimp Type Housing          |   |          |          | (6) Internal code (流水码)  |          |           |

|  |   |          |           |  |          |           |
|--|---|----------|-----------|--|----------|-----------|
| <b>WF3001</b>  | - | <b>X</b> | <b>HK</b> | <b>XX</b>  | <b>B</b> | <b>0X</b> |
| (1)  |   | (2)      | (3)       | (4)  | (5)      | (6)       |
| (1) Series (系列): Wafer 3.00mm Series                   |   |          |           | (4) Circuit (位数): 2=2P.....12=12P (Single Row)<br>2*1=2P.....2*12=24P (Double Row) |          |           |
| (2) Number of rows (排数): 1=Single Row、<br>2=Double Row |   |          |           | (5) Color(颜色): B=Black、E=Beige、W=White   |          |           |
| (3) Product type (产品类型): HK=Aerial JointsHousing       |   |          |           | (6) Internal code (流水码): 1=type 1、2=type 2   |          |           |

## Contact Us 联系我们

维峰电子股份有限公司(总部)  
WCON ELECTRONICS CO.,LTD(HQ)  
地址:广东省东莞市虎门镇大宁文明路15号  
Add :No.15,Wenming Road,Daning Community, Humen Town,  
Dongguan, Guangdong.523930, China

昆山维康电子有限公司  
KUNSHAN WCON ELECTRONICIS CO.,LTD(East of China)  
地址:江苏昆山千灯镇汶浦中路169号  
Add : No.169, WenPu Middle Road, QianDeng Town, Kunshan  
City, Jiangsu Province, China

合肥维峰电子有限公司  
HEFEI WCON ELECTRONICIS CO.,LTD  
地址:安徽合肥市高新技术开发区绿城科技园E栋2楼  
Add : 2F, Building E, Greentown Science Park,High-tech Develop-  
ment Zone, Hefei, Anhui,China

维康电子(泰国)有限公司  
WCON ELECTRONICS (Thailand) CO.,LTD  
地址:泰国巴真武里府西玛铺县华瓦区洛加纳工业园  
Add: VG3C+H57, Hua Wa, Si Maha Phot District, Prachin Buri  
25140, Thailand

### 销售联系方式 Contacts Information

国际客户部 International sales department  
salesdg01@wcon.com  
salesdg05@wcon.com

大客户专线 Major customer dedicated department  
华南: salesdg28@wcon.com  
华东: salesks@wcon.com

中小客户专线 Public Customer hot line  
华南: salesdg10@wcon.com  
华东: salesks01@wcon.com

网络销售 Online sales department  
salesdg26@wcon.com



Official Website



Product e-catalog



WeChat Public#



TikTok Public#