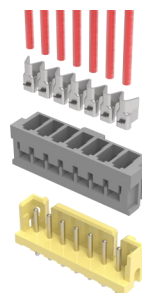
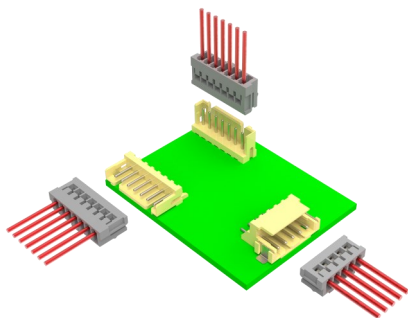


# WF2006(A)Series WF2006 (A) 系列

2.00mm pitch/Wire-to-board Connector 2.00mm间距/线到板连接器



Two-point contact  
两点接触

## Overview

WF2006(A) series is a 2.00mm pitch wire to board connector, the product has both high density, high performance, high integration and other advantages, the board end of the circular pin, can effectively ensure the stability of the signal transmission and integrity, the board end of the horizontal and vertical mounting to meet the user's different angles of insertion and adaptation.

## 概述

WF2006(A)系列是一款2.00mm间距线到板连接器，产品兼具高密度、高性能，高集成等优点，板端采用圆形引脚，能有效确保信号传输的稳定性以及完整性，板端提供水平及垂直方向安装，满足用户不同角度对插适配。

## Features and Benefits

- AWG 22 to 24
- Circuit range: 2 to 15
- Misinsertion-proof design prevents misinsertion
- Both T/H and SMT mounting methods available

## 产品特点

- AWG 22~24
- 电路范围：2~15
- 防错插设计、有效避免错插
- T/H和SMT安装方式均可

## Product Applications

- Commercial Equipment
- Industrial Machinery
- LED Lighting
- Air Conditioning

## 应用领域

- 商业设备
- 工业机械
- LED照明
- 空调

## Standard 标准

- EIA 364

## • UL certification UL认证

- E248993

## Material 材料

Part/零件	Material/材料	Finish/电镀	UL Flame retardant/阻燃等级
Housing/主体	PA66	White/白色	UL94V-0
Header/板端	PA6T	Beige/米色	UL94V-0
Terminal/端子	phosphor bronze 磷铜 (CS191)	Sn over Ni Plating 镀锡	-

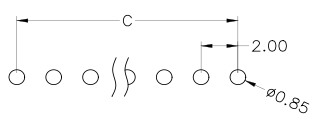
Production Specifications 产品规格

Current rating 额定电流	2.0 A	Operating Temperature Range:-25° C~+85° (including temperature rise) Operating Humidity Range:20-80% 工作温度范围: -40° C~+105° C(含温升) 工作湿度范围: ≤80%	Storage Teroerature: Operating Humidity: 储存温度: 25±5° C 储存湿度: ≤60%
Voltage rating 额定电压	125V		

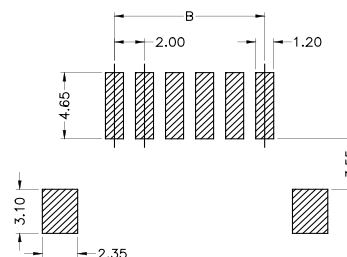
Item 项目	Condition 条件	Specification 规格
Insulation Resistance 绝缘电阻	Measured at 500V DC for 1 minute 测试电压: 500V DC/1分钟	No less than 500M Ω 不少于500MΩ
Withstanding voltage 耐电压	Measured at 250V AC for 1 minute 测试电压: 250V AC/1分钟	No breakdown, no discharge, leakage current <0.5mA 无击穿、无放电、漏电流<0.5mA
Contact Resistance 接触电阻	Measured at 1mA and no higher than 20mV 用20 mV DC进行测量	Contact resistance: Initial value/ 20 mo max After environmental tests/ 30 mo max. 接触电阻: 初始值 20 mΩ 以下 测试后 30 mΩ 以下
Vibration Resistance 抗振动	Frequency : 50 ~ 2000 Hz PSD value : 5.35 Gms minimum Duration : 15 minutes/axis Times : Each of three mutually perpendicular planes. 频率: 50 ~ 2000 Hz PSD值: 5.35Gms 时长: 15分钟/轴 次数: 3次	No electrical discontinuity of 1μsorgreater 试验过程中未发生1μs瞬断现象, 且外观无损伤, 电气性能正常
Humidity (Steady state) 湿度	Temperature : 25~65°C Humidity: 90 ~95% (R.H) Duration : 96 hours 温度: 25~65° C 湿度: 90 ~95% (R.H) 时间: 96小时	Contact resistance: Initial value/ 20 mo max After environmental tests/ 30 mo max. 接触电阻: 初始值 20 mΩ 以下 测试后 30 mΩ 以下
Salt Spray 盐雾	Temperature:35#2°C Humidity:95~98%(R.H) PHValue : 6.5 ~ 7.2 Duration : 24hours 温度: 35±2° C 湿度: 95~98%(R.H) PH值: 6.5~7.2 时间: 24小时	Contact resistance: Initial value/ 20 mo max After environmental tests/ 30 mo max. 接触电阻: 初始值 20 mΩ 以下 测试后 30 mΩ 以下
Durability(Mating/un-mating) 插拔寿命	30 cycles 循环30次	Contact resistance: Initial value/ 20 mo max After environmental tests/ 30 mo max. 接触电阻: 初始值 20 mΩ 以下 测试后 30 mΩ 以下

PCB Layout 印刷电路板布局

Through-hole type 通孔型

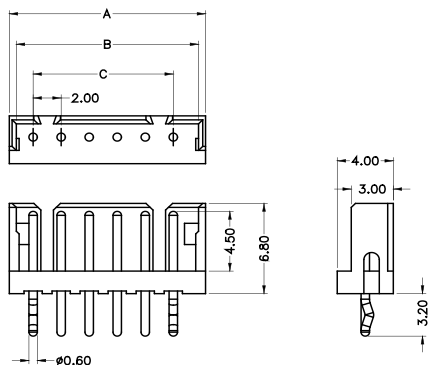


SMT type 表面贴装型

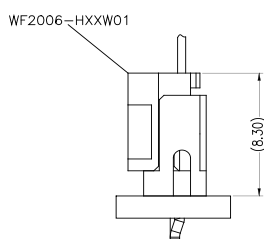


## WF2006(A) Series

### Dimensions 尺寸



### Assembly Schematic 装配示意

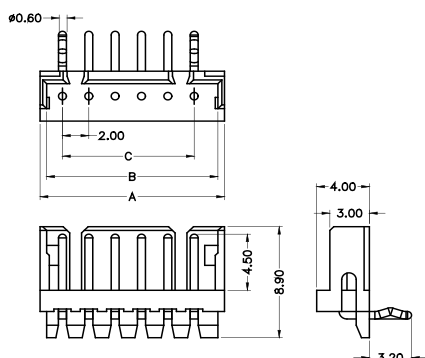


### Ordering Information 订购信息

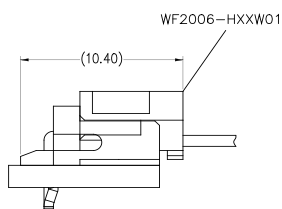
Circuit 芯数	Part number 型号	Dimensions 尺寸 (mm)			Package 包装 Q'ty/Tube 只/管装	Remake 可量产状态
		A	B	C		
2	WF2006-WS02ET1	6.00	5.00	2.00	99	*
3	WF2006-WS03ET1	8.00	7.00	4.00	74	*
4	WF2006-WS04ET1	10.00	9.00	6.00	59	*
5	WF2006-WS05ET1	12.00	11.00	8.00	49	*
6	WF2006-WS06ET1	14.00	13.00	10.00	41	*
7	WF2006-WS07ET1	16.00	15.00	12.00	36	*
8	WF2006-WS08ET1	18.00	17.00	14.00	32	*
9	WF2006-WS09ET1	20.00	19.00	16.00	29	*
10	WF2006-WS10ET1	22.00	21.00	18.00	26	*
11	WF2006-WS11ET1	24.00	23.00	20.00	24	*
12	WF2006-WS12ET1	26.00	25.00	22.00	22	*
13	WF2006-WS13ET1	28.00	27.00	24.00	20	*
14	WF2006-WS14ET1	30.00	29.00	26.00	19	*
15	WF2006-WS15ET1	32.00	31.00	28.00	17	*

Note: \* stands for mass production . 注: \*代表可量产

### Dimensions 尺寸



### Assembly Schematic 装配示意

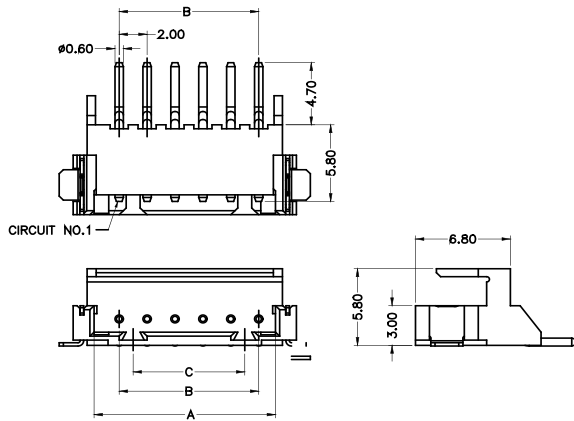


### Ordering Information 订购信息

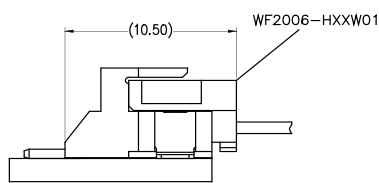
Circuit 芯数	Part number 型号	Dimensions 尺寸 (mm)			Package 包装 Q'ty/Tube 只/管装	Remake 可量产状态
		A	B	C		
2	WF2006-WR02ET1	6.00	5.00	2.00	97	*
3	WF2006-WR03ET1	8.00	7.00	4.00	73	*
4	WF2006-WR04ET1	10.00	9.00	6.00	58	*
5	WF2006-WR05ET1	12.00	11.00	8.00	48	*
6	WF2006-WR06ET1	14.00	13.00	10.00	41	*
7	WF2006-WR07ET1	16.00	15.00	12.00	36	*
8	WF2006-WR08ET1	18.00	17.00	14.00	32	*
9	WF2006-WR09ET1	20.00	19.00	16.00	29	*
10	WF2006-WR10ET1	22.00	21.00	18.00	26	*
11	WF2006-WR11ET1	24.00	23.00	20.00	24	*
12	WF2006-WR12ET1	26.00	25.00	22.00	22	*
13	WF2006-WR13ET1	28.00	27.00	24.00	20	*
14	WF2006-WR14ET1	30.00	29.00	26.00	19	*
15	WF2006-WR15ET1	32.00	31.00	28.00	18	*

Note: \* stands for mass production . 注: \*代表可量产

Dimensions 尺寸



Assembly Schematic 装配示意

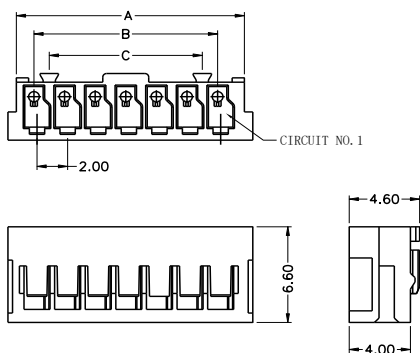


Ordering Information 订购信息

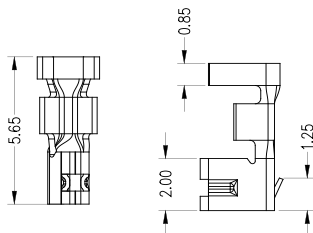
Circuit 芯数	Part number 型号	Dimensions 尺寸 (mm)			Package 包装 Q'ty/Reel 只/卷装	Remake 可量产状态
		A	B	C		
2	WF2006A-WZ02ER1	5.00	2.00	-	500	*
3	WF2006A-WZ03ER1	7.00	4.00	-	500	*
4	WF2006A-WZ04ER1	9.00	6.00	4.00	500	*
5	WF2006A-WZ05ER1	11.00	8.00	6.00	500	*
6	WF2006A-WZ06ER1	13.00	10.00	8.00	500	*
7	WF2006A-WZ07ER1	15.00	12.00	10.00	500	*
8	WF2006A-WZ08ER1	17.00	14.00	12.00	500	*
9	WF2006A-WZ09ER1	19.00	16.00	14.00	500	*
10	WF2006A-WZ10ER1	21.00	18.00	16.00	500	*
11	WF2006A-WZ11ER1	23.00	20.00	18.00	500	*
12	WF2006A-WZ12ER1	25.00	22.00	20.00	500	*
13	WF2006A-WZ13ER1	27.00	24.00	22.00	500	*
14	WF2006A-WZ14ER1	29.00	26.00	24.00	500	*
15	WF2006A-WZ15ER1	31.00	28.00	26.00	500	*

Note: \* stands for mass production . 注: \*代表可量产

Dimensions 尺寸



Adaptor Terminal 适配端子



Ordering Information 订购信息

Circuit 芯数	Part number 型号	Dimensions 尺寸 (mm)			Package 包装 Q'ty/Bag 只/袋装	Remake 可量产状态
		A	B	C		
2	WF2006-H02W01	4.90	2.00	-	1000	*
3	WF2006-H03W01	6.90	4.00	-	1000	*
4	WF2006-H04W01	8.90	6.00	4.00	1000	*
5	WF2006-H05W01	10.90	8.00	6.00	1000	*
6	WF2006-H06W01	12.90	10.00	8.00	1000	*
7	WF2006-H07W01	14.90	12.00	10.00	1000	*
8	WF2006-H08W01	16.90	14.00	12.00	1000	*
9	WF2006-H09W01	18.90	16.00	14.00	1000	*
10	WF2006-H10W01	20.90	18.00	16.00	1000	*
11	WF2006-H11W01	22.90	20.00	18.00	800	*
12	WF2006-H12W01	24.90	22.00	20.00	800	*
13	WF2006-H13W01	26.90	24.00	22.00	800	*
14	WF2006-H14W01	28.90	26.00	24.00	700	*
15	WF2006-H02W01	30.90	28.00	26.00	700	*

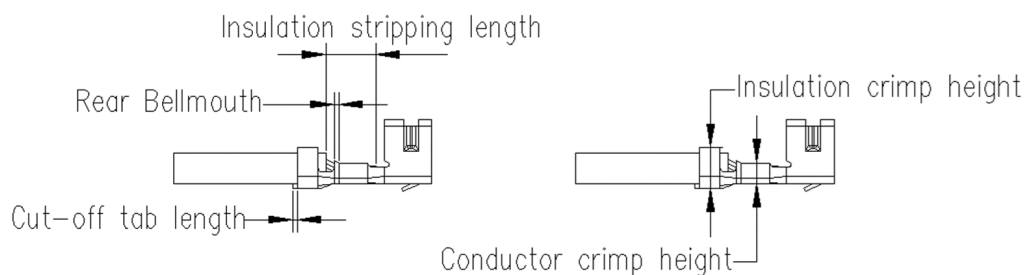
Note: \* stands for mass production . 注: \*代表可量产

型号 Model number	WF2006-TPSN01
--------------------	---------------

# WF2006(A) Series

## Terminal Crimp specification 端子压接规范

型号 Model number	电线类型 Wire type	电线规格 Wire size	线缆 OD (mm) Cable OD (mm)	剥线长度 (mm) Strip length(mm)	导体铆压 (A-A) Conductor crimp		绝缘体铆压 (B-B) Insulation crimp	
					压接宽度CW1 Crimping width	压接高度 Crimping height	压接宽度CW2 Crimping width	压接高度CH2 Crimping width
WF2006-TPXX01	UL 1061	22#AWG	1.30±0.10	1.80~2.40mm	1.28~1.36mm	0.83~0.89mm	1.60mm REF.	1.9mm REF.
	UL 1061	24#AWG	1.10±0.10		1.28~1.36mm	0.77~0.83mm	1.60mm REF.	1.9mm REF.



## Model number allocation 型号命名

<b>WF2006</b>	<b>(A)</b>	<b>-</b>	<b>XX</b>	<b>XX</b>	<b>E</b>	<b>X</b>	<b>1</b>
(1)			(2)	(3)	(4)	(5)	(6)
(1) Series (系列): Wafer 2.00mm Series			(4) Color (颜色): E=Beige 米色				
(2) Terminal type (端子形态): WS=S/T DIP WR=R/A DIP WZ=R/A SMT			(5) Packing (包装): T=Tube 管装 R=Reel 卷装				
(3) Circuit (位数): 02=2.....15=15P			(6) Internal code (流水码)				

<b>WF2006</b>	<b>-</b>	<b>H</b>	<b>XX</b>	<b>W</b>	<b>0</b>	<b>1</b>
(1)		(2)	(3)	(4)	(5)	(6)
(1) Series (系列): Wafer 2.00mm Series			(4) Color (颜色): W=White			
(2) Product type (产品类型): H=Crimp Type Housing			(5) Packing (包装): 0=PE Bag			
(3) Circuit (位数): 02=2.....15=15P			(6) Internal code (流水码)			

## Contact Us 联系我们

维峰电子股份有限公司(总部)

WCON ELECTRONICS CO.,LTD(HQ)

地址:广东省东莞市虎门镇大宁文明路15号

Add :No.15,Wenming Road,Daning Community, Humen Town, Dongguan, Guangdong.523930, China

昆山维康电子有限公司

KUNSHAN WCON ELECTRONICS CO.,LTD(East of China)

地址:昆山市千灯镇汶浦中路169号

Add : No.169, WenPu Middle Road, QianDeng Town, Kunshan City, Jiangsu Province, China

合肥维峰电子有限公司

HEFEI WCON ELECTRONICS CO.,LTD

地址:安徽合肥市高新技术开发区绿城科技园E栋2楼

Add : 2F, Building E, Greentown Science Park,High-tech Development Zone, Hefei, Anhui,China

维康电子(泰国)有限公司

WCON ELECTRONICS (Thailand) CO.,LTD

地址:泰国巴真武里府西玛铺县华瓦区洛加纳工业园

Add: VG3C+H57, Hua Wa, Si Maha Phot District, Prachin Buri 25140, Thailand

### 销售联系方式 Sales Contacts

国际客户部 International Sales Department

salesdg01@wcon.com

salesdg05@wcon.com

大客户专线 Key Account Line

华南: salesdg28@wcon.com

华东: salesks@wcon.com

中小客户专线 Small and Medium-sized Account Line

华南: salesdg10@wcon.com

华东: salesks01@wcon.com

网络销售 Online sales

salesdg26@wcon.com



Official Website



Product e-catalog



WeChat Public#



TikTok Public#