

4.20mm pitch/hermaphroditic shell
4.20mm间距/公母同体外壳

Overview

This housing is designed for WCON WF4202 series products. It features a male-female integrated housing tailored for wire-to-wire specifications, helping to reduce cable stress effects and minimize power loss.



概述

该款外壳适用于WCON WF4202系列产品，针对于线对线规格而设计的一块公母同体外壳，有助于线缆应力效果减缓，降低功率损耗。

Features and Benefits

- Latch Locking Mechanism
- Supports maximum wire gauge of 18 AWG

产品特点

- 附带锁扣结构，防止脱离
- 支持最大线径18AWG

Product Applications

- Industrial Automation and Control
- Network equipment

应用领域

- 工业自动化与控制
- 网络设备

Standard 标准

- GB/T 5095

Material 材料

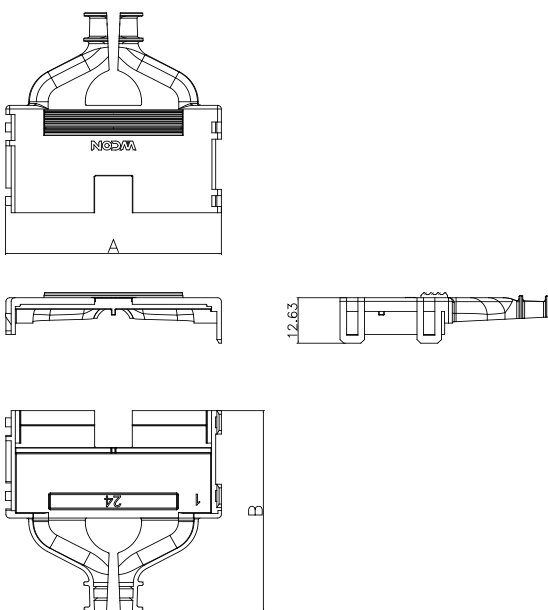
Part/零件	Material/材料	Finish/电镀	UL Flame retardant/阻燃等级
Housing/外壳	PA66	Black/黑色	UL94V-0

Production Specifications 产品规格

Current rating 额定电流	/	Operating temperature Range:-40° C~+105° C (including temperature rise) Operating Humidity Range:20-80%	Storage temperature: Operating Humidity:
Voltage rating 额定电压	/	工作温度范围: -40° C~+105° C(含温升) 工作湿度范围: 20-80%	储存温度: 25±5° C 储存湿度: ≤60%

Item 项目	Condition 条件	Specification 规格
Insulation Resistance 绝缘电阻	Measured at 500V DC for 1 minute 测试电压: 500V DC/1分钟	No less than 1000MΩ 不少于1000MΩ
Withstanding voltage 耐压	Test Voltage 1000V AC for 1 minute 测试电压: 1000V AC/1分钟	No breakdown, no discharge, leakage current <0.5mA 无击穿、无放电、漏电流<0.5mA
Humidity (Steady state) 湿度	Temperature : 40±2° C Humidity: 90 ~95% (R.H) Duration : 96 hours 温度: 40±2° C 湿度: 90 ~95% (R.H) 时间: 96小时	Insulation Resistance : After environmental tests/ 1000 MΩ min 绝缘电阻: 测试后 1000 MΩ 以上
Backshell latch Retention Force(with Housing) 后盖保持力(带母座塑胶主体)	The Force to separate the backshell halves. 分离后壳半部分的保持力 Speed 插拔速度: 25.4mm/min.	70N Minimum retention force 保持力至少达到70N 以上
Durability(Mating/un-mating) 插拔寿命	10 cycles 循环10次	20N Max. Insertion 70N Min. Retention 最大20N的插入力 最小70N的保持力

Dimensions 尺寸



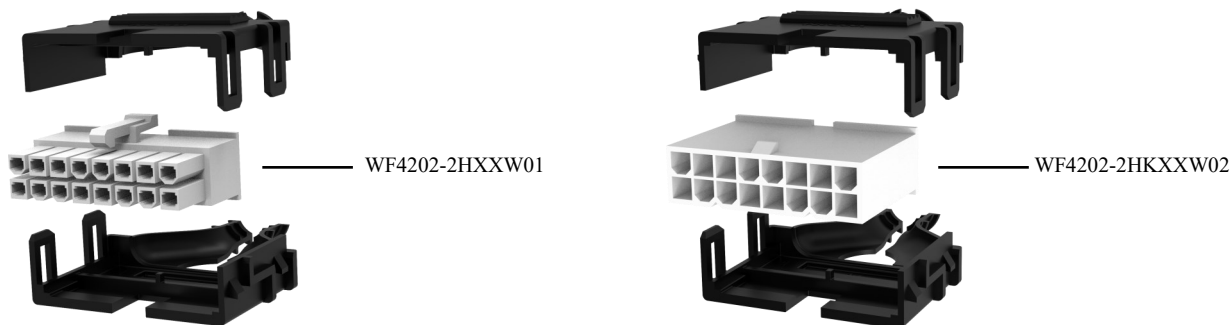
Ordering Information 订购信息

Circuit 芯数	Part number 型号	Dimensions 尺寸 (mm)		Package 包装 Q'ty/PE Bag 只/袋装	Remark 可量产状态
		A	B		
2	WF4202-2C01B01W	10.95	37.50	500	*
4	WF4202-2C02B01W	15.30	37.50	400	
6	WF4202-2C03B01W	19.25	38.92	250	
8	WF4202-2C04B01W	23.70	41.92	200	*
10	WF4202-2C05B01W	27.90	45.92	160	*
12	WF4202-2C06B01W	32.10	45.92	120	
14	WF4202-2C07B01W	36.30	51.42	100	
16	WF4202-2C08B01W	40.50	51.42	90	
18	WF4202-2C09B01W	44.70	53.52	90	
20	WF4202-2C10B01W	48.90	53.52	70	
22	WF4202-2C11B01W	53.10	55.52	70	
24	WF4202-2C12B01W	57.30	55.52	60	*

Note: * stands for mass production . 注: *代表可量产

WF4202 Series

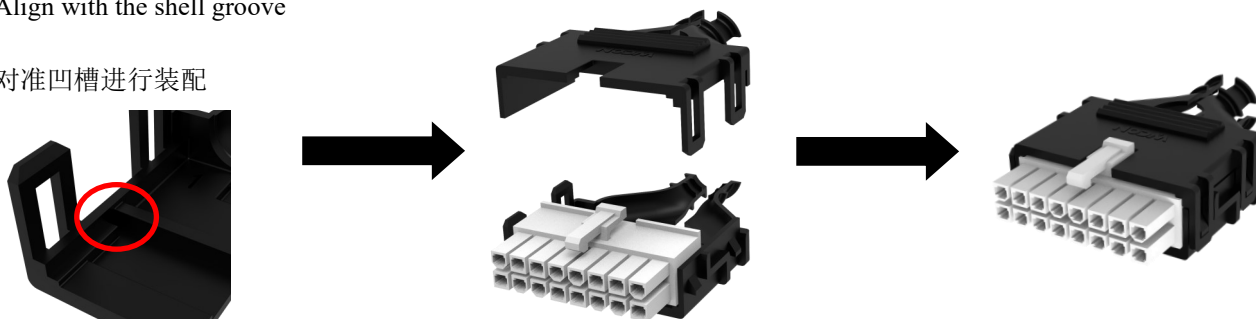
Housing Adapter 适配塑胶



Installation Procedure 安装流程

Align with the shell groove

对准凹槽进行装配



Model number allocation 型号命名

WF4202	-	2	C	XX	X	0	1
(1)		(2)	(3)	(4)	(5)	(6)	(7)
(1) Series (系列): WF4202 Series				(5) Color (颜色): W=White (透明) (V2)、B=Black(V0)、T=White(V0)			
(2) Number of rows (排数): 2=Double Row				(6) Packing (包装): 0=PE Bag			
(3) Product Type (产品类型): C=hermaphroditic shell				(7) Wcon Internal Code (内部代码)			
(4) No. of pins (PIN数): 02=2*1P.....24=2*12P							

Contact Us 联系我们

维峰电子股份有限公司(总部)
WCON ELECTRONICS CO.,LTD(HQ)
地址:广东省东莞市虎门镇大宁文明路15号
Add :No.15,Wenming Road,Danling Community, Humen Town,
Dongguan, Guangdong.523930, China

昆山维康电子有限公司
KUNSHAN WCON ELECTRONICIS CO.,LTD(East of China)
地址:昆山市千灯镇汶浦中路169号
Add : No.169, WenPu Middle Road, QianDeng Town, Kunshan
City, Jiangsu Province, China

合肥维峰电子有限公司
HEFEI WCON ELECTRONICIS CO.,LTD
地址:安徽合肥市高新技术开发区绿城科技园E栋2楼
Add : 2F, Building E, Greentown Science Park,High-tech Development Zone, Hefei, Anhui,China

维康电子(泰国)有限公司
WCON ELECTRONICS (Thailand) CO.,LTD
地址:泰国巴真武里府西玛铺县华瓦区洛加纳工业园
Add: VG3C+H57, Hua Wa, Si Maha Phot District, Prachin Buri
25140, Thailand

销售联系方式 Sales Contacts

国际客户部 International Sales Department
salesdg01@wcon.com
salesdg05@wcon.com

大客户专线 Key Account Line
华南: salesdg28@wcon.com
华东: salesks@wcon.com

中小客户专线 Small and Medium-sized Account Line
华南: salesdg10@wcon.com
华东: salesks01@wcon.com

网络销售 Online sales
salesdg26@wcon.com



Official Website



Product e-catalog



WeChat Public#



TikTok Public#